

ITALIA 1-2-3 HOT CONVECTION SHOWCASE

STANDARD FEATURES

- Available in 3 heights: 45"H, 47"H, 53"H
- Convection heat circulating Fan
- Maxi display high volume heated
- Molded heat-insulated tank with rounded internal edges
- Diffused LED lighting 3000°K
- Sliding double pane doors closure on operator side
- Double glazed walls
- Perfect visibility on all 4 sides
- Front, top, sides double glasses
- Glass frame gray
- Cases ship standard unfinished front and stainless steel skin sides



Photo shown with optional RAL color finish. Standard cases are unfinished front with stainless steel skin sides.



Visit our website for more finishing options and RAL colors
www.oscartek.com

OPTIONS

- Italia 4
- Italia 1-2-3 Narrow - 25" deep
- Glass frame colors: black, white, and gold
- Humidity control water valve up to 20%
- Front access double doors
- Lift up hydraulic double pane front glass
- Matches with Muro H11
- RAL color finish/wood laminate front and side panels
- Heated pan for evaporator
- Casters

ITALIA 1 HOT CONVECTION				
TECHNICAL FEATURES		MODELS		
		ITALIA 1 H900 (ITL1HOT35)	ITALIA 1 H1200 (ITL1HOT47)	ITALIA 1 H1500 (ITL1HOT59)
External Dimensions (L-D-H)	Inches	*35 3/8" - 31 5/8" - 45 1/4"	*47 1/4" - 31 5/8" - 45 1/4"	*59" - 31 5/8" - 45 1/4"
	Inches-MM	*900 - 803 - 1150	*1200 - 803 - 1150	*1500 - 803 - 1150
Crated Dimensions (L-D-H)	Inches	42" - 38" - 52"	54" - 38" - 52"	67" - 38" - 52"
	Inches-MM	1066 - 965 - 1320	1371 - 965 - 1320	1701 - 965 - 1320
Operating Temperature	°F	140°F	140°F	140°F
Electric Supply	V/Ph/Hz	208-220/1/60	208-220/1/60	208-220/1/60
Power Consumption	W/A	1300/6.0	1700/8.0	1900/8.9
Climatic Class	°F/H.R.	75°F-55%RH	75°F-55%RH	75°F-55%RH
Net Weights	Lb	265	320	400
Crated Weights	Lb	315	370	475

* DIMENSIONS ARE WITHOUT SIDE PANELS

*Factory in its effort to upgrade and improve our products, has the right to change, modify, discontinue or change any feature, size or capacity on any model without prior notice.



512 South Airport Blvd., South San Francisco, CA 94080
 Tel: 855.885.2400 | 650.342.2400 | Fax: 650.342.7400
sales@oscartek.com | www.oscartek.com



ITALIA 1-2-3 HOT CONVECTION SHOWCASE

ITALIA 2 HOT CONVECTION				
TECHNICAL FEATURES		MODELS		
		ITALIA 2 H900 (ITL2HOT35)	ITALIA 2 H1200 (ITL2HOT47)	ITALIA 2 H1500 (ITL2HOT59)
External Dimensions (L-D-H)	Inches	*35 3/8" - 31 5/8" - 47 1/4"	*47 1/4" - 31 5/8" - 47 1/4"	*59" - 31 5/8" - 47 1/4"
Inches-MM	MM	*900 - 803 - 1200	*1200 - 803 - 1200	*1500 - 803 - 1200
Crated Dimensions (L-D-H)	Inches	42" - 38" - 54"	54" - 38" - 54"	67" - 38" - 54"
Inches-MM	MM	1066 - 965 - 1371	1371 - 965 - 1371	1701 - 965 - 1371
Operating Temperature	°F	140°F	140°F	140°F
Electric Supply	V/Ph/Hz	208-220/1/60	208-220/1/60	208-220/1/60
Power Consumption	W/A	1300/6.0	1700/8.0	1900/8.9
Climatic Class	°F/H.R.	75°F-55%RH	75°F-55%RH	75°F-55%RH
Net Weights	Lb	285	350	440
Crated Weights	Lb	335	425	515

* DIMENSIONS ARE WITHOUT SIDE PANELS

ITALIA 3 HOT CONVECTION				
TECHNICAL FEATURES		MODELS		
		ITALIA 3 H900 (ITL3HOT35)	ITALIA 3 H1200 (ITL3HOT47)	ITALIA 3 H1500 (ITL3HOT59)
External Dimensions (L-D-H)	Inches	*35 3/8" - 31 5/8" - 53 1/8"	*47 1/4" - 31 5/8" - 53 1/8"	*59" - 31 5/8" - 53 1/8"
Inches-MM	MM	*900 - 803 - 1350	*1200 - 803 - 1350	*1500 - 803 - 1350
Crated Dimensions (L-D-H)	Inches	42" - 38" - 60"	54" - 38" - 60"	67" - 38" - 60"
Inches-MM	MM	1066 - 965 - 1524	1371 - 965 - 1524	1701 - 965 - 1524
Operating Temperature	°F	140°F	140°F	140°F
Electric Supply	V/Ph/Hz	208-220/1/60	208-220/1/60	208-220/1/60
Power Consumption	W/A	1450/6.5	1850/8.5	2100/10.0
Climatic Class	°F/H.R.	75°F-55%RH	75°F-55%RH	75°F-55%RH
Net Weights	Lb	310	385	485
Crated Weights	Lb	360	435	560

* DIMENSIONS ARE WITHOUT SIDE PANELS

*Factory in its effort to upgrade and improve our products, has the right to change, modify, discontinue or change any feature, size or capacity on any model without prior notice.

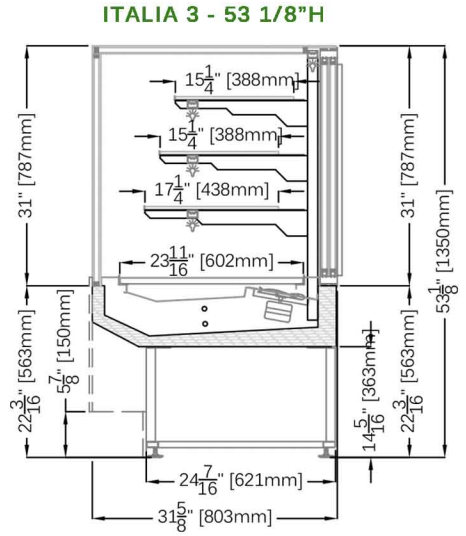
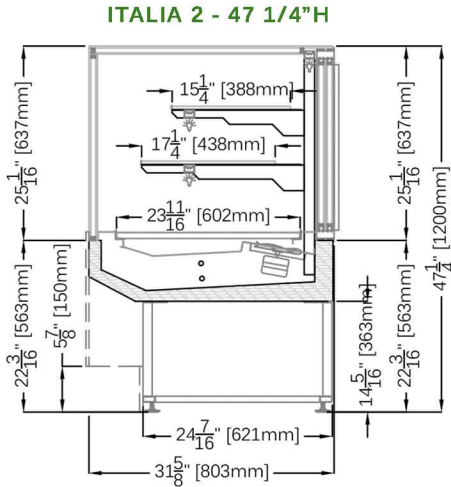
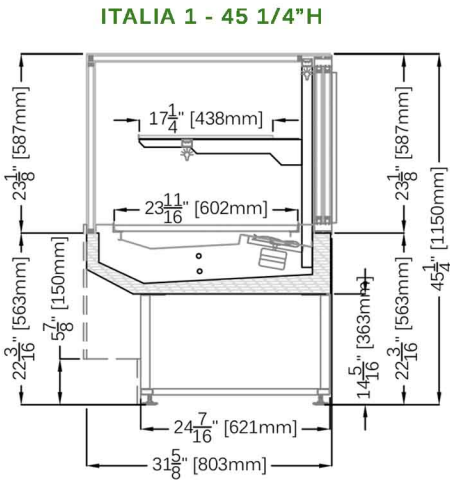


512 South Airport Blvd., South San Francisco, CA 94080
 Tel: 855.885.2400 | 650.342.2400 | Fax: 650.342.7400
 sales@oscartek.com | www.oscartek.com

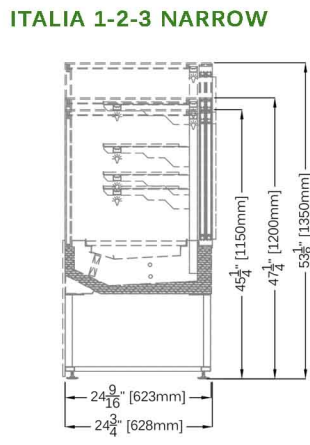
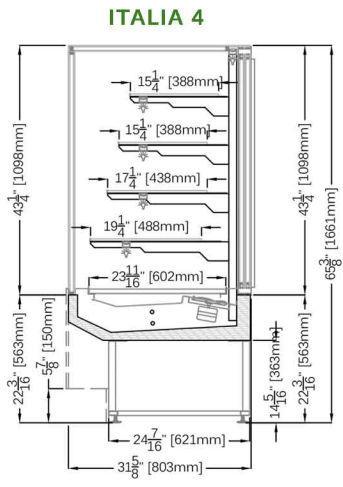


ITALIA 1-2-3 HOT CONVECTION SHOWCASE

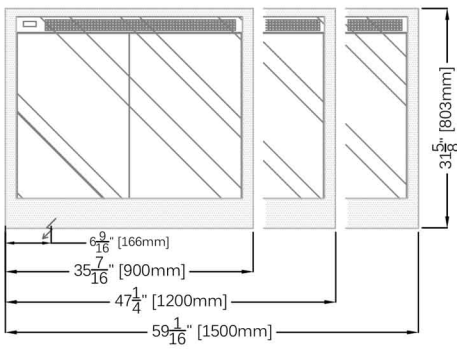
SECTION VIEWS: ITALIA 1-2-3 H900, H1200, H1500



OPTIONAL:

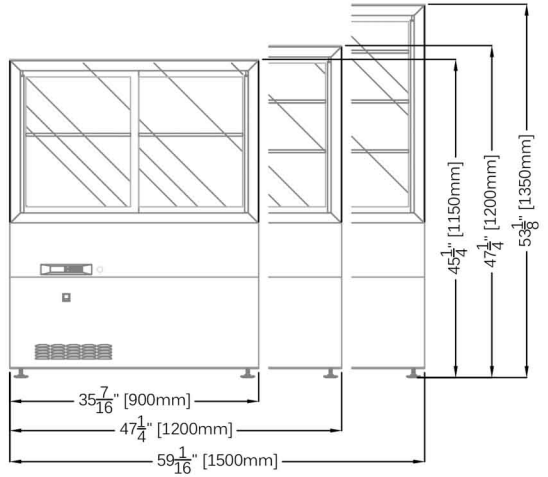


ITALIA 1-2-3 PLAN VIEWS: ITALIA 1-2-3 H900, H1200, H1500



ELECTRICAL LEGEND	
	POWER

ITALIA 1-2-3 REAR ELEVATIONS (OPERATOR SIDE): ITALIA 1-2-3 H900, H1200, H1500



*Factory in its effort to upgrade and improve our products, has the right to change, modify, discontinue or change any feature, size or capacity on any model without prior notice.



512 South Airport Blvd., South San Francisco, CA 94080
 Tel: 855.885.2400 | 650.342.2400 | Fax: 650.342.7400
 sales@oscartek.com | www.oscartek.com

