

SELF-CONTAINED, FRESH RED MEAT DISPLAY

MODEL: MCSC 80W

PRO-KOLD

Product features

- (2) Fully adjustable, upper shelves for additional display level
- Lower wire grill covers to keep meat off display deck and assist with proper hygiene
- Double pane, tempered, curved glass for maximum display view
- Adjustable feet to raise and lower box
- Sliding, work table included with support rail on service side of display
- Large capacity, rear, undercounter storage area with swing door access
- (2) Rear, sliding glass doors to access display
- Gravity coil cooling system in upper level to promote longevity of product
- Fully self-contained unit
- LED lighting for optimal product display
- Corrosion resistant, white finish interior with stainless steel top



Available Color

WHITE

Accessories

- Stainless steel fish trays

Product highlights



LED Lighting



Sliding, rear work table



Rear, undercounter storage

Certifications



Warranty

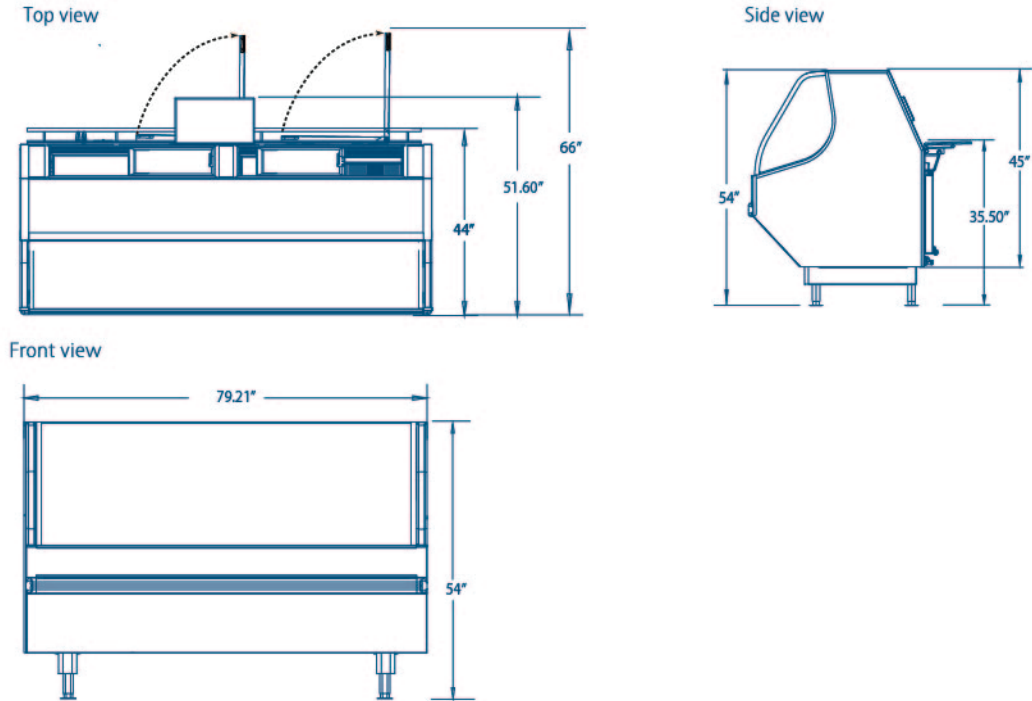
- 2 year parts and labor
- Additional 3 year compressor coverage

Residential: Assumes on liability for parts or labor coverage for component failure, factory defect or any other damages for units installed in non-commercial foodservice or residential applications.

PRODUCT SPECIFICATIONS

MODEL: MCSC 80 W

Plan view



Technical data

Dimensions

External dimensions	W: 79.21" D: 44" H: 54"
Internal dimensions	W: 74.69" D: 33" H: 21.21"
Net volume	26 ft ³ (750 Lts.)
Net Weight	727 Lbs
Gross weight	793 Lbs.
Packaging dimensions	W: 82.6" D: 54" H: 55"

Performance data

Refrigerant charge	1.33 oz.
Energy consumption	25.9 kw / 24 hrs
Condenser	Forced Ventilation
Evaporator	Natural convection
Evaporation temperature	5° F
Expansion method	Forced ventilation
Thawing method	Hot gas

Construction

Exterior material	Pre-painted sheet metal
Interior material	Pre-painted sheet metal
Number of interior shelf levels	2
Shelf material	Pre-painted steel
Door type	Sliding glass (upper), Solid (lower)
Door quantity	Upper (2), Lower (2)

* W= Width, D= Depth, H= Height

Electrical data

Power supply	110v/ 60 Hz
Amps	13 A
Length of cord	118" (3000 mm)
Lighting	LED
Plug type	NEMA-5-15P
Controller	Digital
Compressor power	3/5 HP

Cooling

Temperature range	32°F to 44°F (Exhibition)
Refrigerant	R404a
Defrosting	Electric
Temperature controller	Manual
Lower storage temperature range	14°F to 21.2°F

Logistic data

Trailer Loads	28 fit on a 53' trailer
Unit weight with packaging	793 Lbs.
Dimensions with packaging	W: 82.6" D: 54" H: 55"