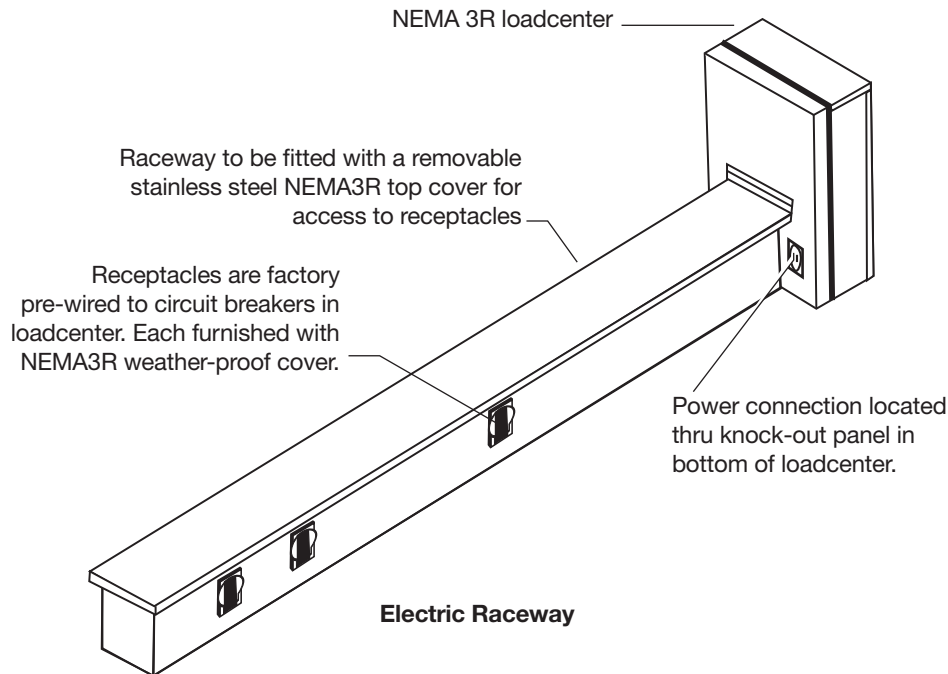


## CONVEYOR ACCESSORY & ELECTRIC RACEWAY



### Item Numbers

#### Electric Raceways

- DXIESORW8
- DXIESORW10
- DXIESORW12
- DXIESORW14
- DXIESORW16
- DXIESORW18
- DXIESORW20

#### Conveyor Accessory

- DXIESOOS (Specify Length)

### Options Available At An Additional Cost:

- 120/1ph 20.0 AMP Single Receptacle (NEMA 5-20R)
- 120/1ph 30.0 AMP Single Receptacle (NEMA 5-30R)
- 120/1ph 50.0 AMP Single Receptacle (NEMA 5-50R)
- 208/1ph 20.0 AMP Single Receptacle (NEMA 6-20R)
- 208/1ph 30.0 AMP Single Receptacle (NEMA 6-30R)
- 208/1ph 50.0 AMP Single Receptacle (NEMA 6-50R)
- 120/208/1ph 20.0 AMP Single Receptacle (NEMA 14-20R)
- 120/208/1ph 30.0 AMP Single Receptacle (NEMA 14-30R)
- 120/208/1ph 50.0 AMP Single Receptacle (NEMA 14-50R)
- 208/3ph 20.0 AMP Single Receptacle (NEMA L15-20R)
- 208/3ph 30.0 AMP Single Receptacle (NEMA 15-30R)
- 208/3ph 50.0 AMP Single Receptacle (NEMA 15-50R)
- 120/208/3ph 20.0 AMP Single Receptacle (NEMA L21-20R)
- 120/208/3ph 30.0 AMP Single Receptacle (NEMA L21-30R)
- Hard Wire (J-Box) Connections
- Pin & Sleeve Receptacle

Cord & Plug Assembly to Accommodate Entire Raceway Load. **ONLY WHEN ENTIRE RACEWAY LOAD DOES NOT EXCEED 100.0 AMPS.**

Duplex Receptacles

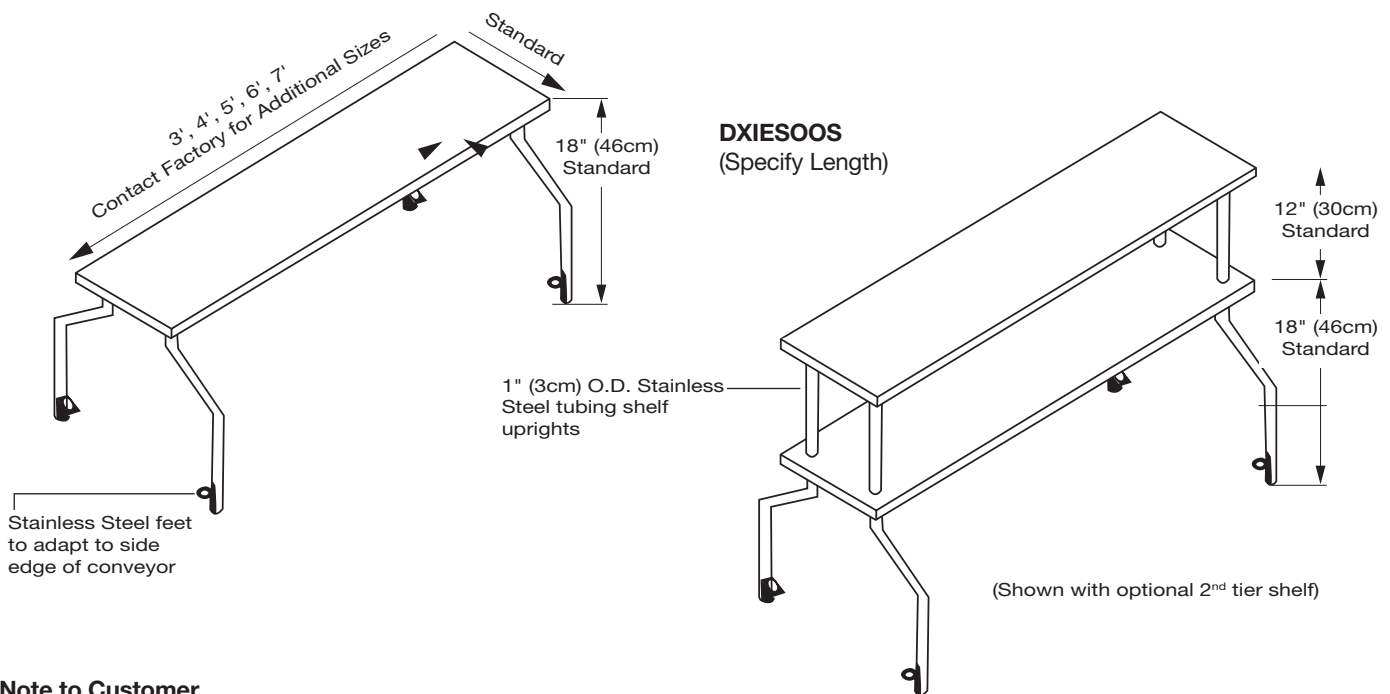
- 120/208/1ph 150.0 AMP Loadcenter. **PENDING FACTORY APPROVAL**
- 120/208/1ph 200.0 AMP Loadcenter. **PENDING FACTORY APPROVAL**
- 120/208/3ph 150.0 AMP Loadcenter. **PENDING FACTORY APPROVAL**
- 120/208/3ph 200.0 AMP Loadcenter. **PENDING FACTORY APPROVAL**

### Note to Customer

The model numbers for each loadcenter **DO NOT** reflect the actual amperage load for the entire raceway. The model numbers note the **MAXIMUM** capacity for their respective loadcenter. Please consult the factory for the actual amperage load for each raceway. Some options such as voltage & phase of a particular loadcenter may not be available on some conveyors.

*We do not accept returns on any Dinex equipment or Dinex custom products. Please contact your local Dinex rep to ensure order accuracy prior to ordering.*

# CONVEYOR ACCESSORY & ELECTRIC RACEWAY



## Note to Customer

When ordering specify the type of conveyor the shelf is to be used with. If shelf is to be used on an existing conveyor, specify size and type of edge stainless steel feet will be adapting to.

## Items and Dimensions

ITEM NUMBER	MODEL NUMBER	SIZE	SHIP WEIGHT
DXIESORW8	IESORW8	8 ft. (2.4 meter) section	80 lb. (36kg)
DXIESORW10	IESORW10	10 ft. (3.05 meter) section	100 lb. (45kg)
DXIESORW12	IESORW12	12 ft. (3.6 meter) section	120 lb. (54kg)
DXIESORW14	IESORW14	14 ft. (4.3 meter) section	140 lb. (64kg)
DXIESORW16	IESORW16	16 ft. (4.9 meter) section	160 lb. (73kg)
DXIESORW18	IESORW18	18 ft. (5.5 meter) section	180 lb. (82kg)
DXIESORW20	IESORW20	20 ft. (6.1 meter) section	200 lb. (91kg)
DXIESOOS	IESOOS	—	—

Please confirm that you have the most current specification sheet by visiting [www.dinex.com](http://www.dinex.com). Dinex® reserves the right to change specifications and product design without notice. Such revisions do not entitle the buyer to corresponding changes, improvements, additions or replacements for previously purchased equipment.