



PROJECT _____

ITEM NO: _____

QUANTITY: _____

Equipment Stand

Galvanized Steel Leg & Undershelf Series

FEATURES & CONSTRUCTION:

- Top is fabricated with 1-1/2" rounded front edge and 2" high splash guard at rear and both sides.
- Stand front edge formed with hemmed edge to provide extra rigidity and safe to touch finish.
- Reinforced Stand top with two galvanized steel sound deadening hat channels. Note: Three sound deadening hat channels on 30" deep stands.
- Adjustable galvanized steel undershelf secured to legs with aluminum die cast clamps allowing undershelf to be approximately 2" wider and 2" deeper than leg tube welded to undershelf style.
- All exposed welded areas smooth polished to brush finish sanitary #4.
- Welded galvanized steel leg sockets with two point leg fastening.
- All tables shipped K.D., but easily assembled.



NSF STD.2
Certified

MATERIAL:

Top: 16 Gauge Stainless Steel - 400 series

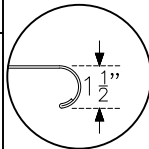
Shelf: 18 Gauge Galvanized Steel - 400 series

Leg: 1-5/8" Galvanized Steel Tubing with 1" Adjustable Plastic Bullet Feet

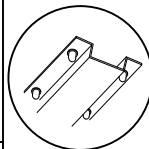


SMES-2448G

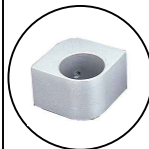
MODEL#	SIZE		
	D	L	H
SMES-2412G	24"	12"	24"
SMES-2418G		18"	
SMES-2424G		24"	
SMES-2430G		30"	
SMES-2436G		36"	
SMES-2448G		48"	
SMES-2460G		60"	
SMES-2472G		72"	
SMES-3012G	30"	12"	24"
SMES-3018G		18"	
SMES-3024G		24"	
SMES-3030G		30"	
SMES-3036G		36"	
SMES-3048G		48"	
SMES-3060G		60"	
SMES-3072G		72"	
SMES-3084G		84"	
SMES-3096G		96"	



Rolled Rim Edge Front
Edge Reinforced with
Hemmed Edge



Two (three on 30" deep) Hat
Channel Reinforced Top.
Attached to Underside of Top
via Studs Welded to Underside
of Top, Adhesive and Stainless
Steel Acorn Nuts.



Aluminum Die Cast
Clamp For Adjustable
Undershelf



Plastic Bullet Feet
1" Adjustable



* 60" stands and longer
come with 6 legs

SMES-3084G



Rev. 01/21

SAPPHIRE MANUFACTURING
Tel: 718-543-2111
Fax: 718-543-2121

info@sapphiremanufacturing.com
WWW.SAPPHIREMANUFACTURING.COM



PROJECT

ITEM NO:

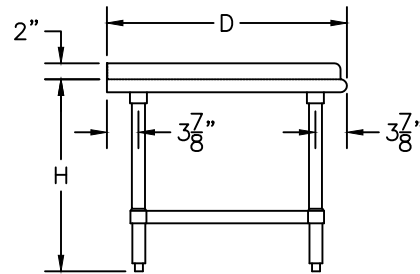
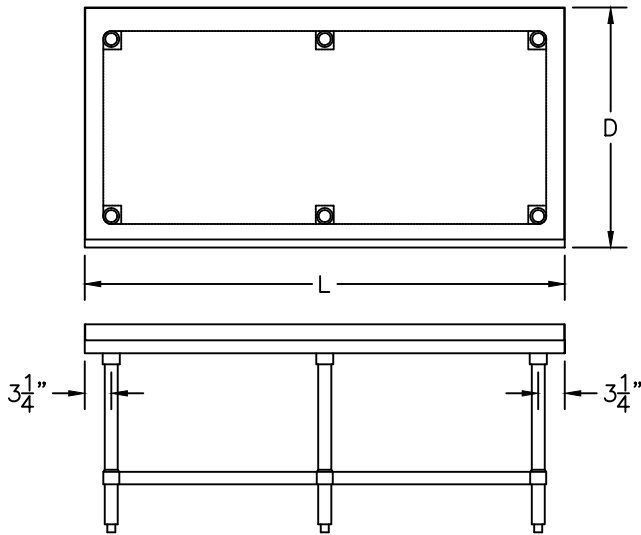
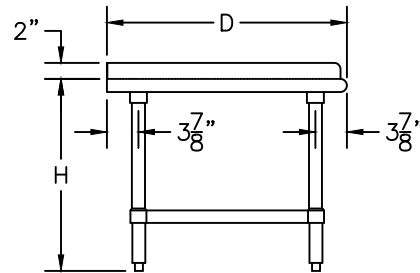
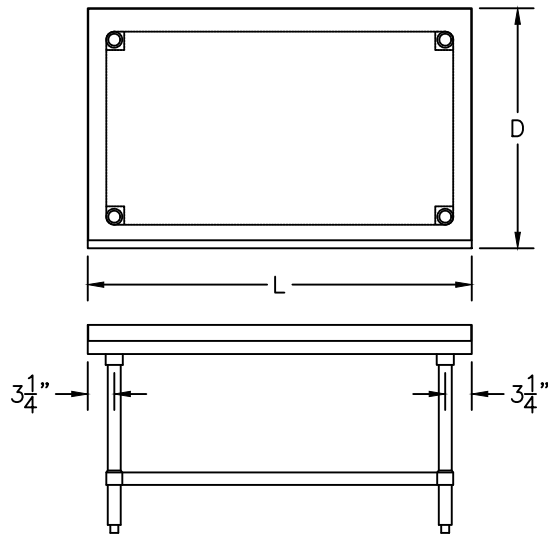
QUANTITY:

Equipment Stand

Galvanized Steel Leg & Undershelf Series



NSF STD.2
Certified



* 60" and longer come with 6 legs

Specifications subject to change without notice.

All dimensions are typical (Tolerance 1/2").



Rev. 01/21

SAPPHIRE MANUFACTURING
Tel: 718-543-2111
Fax: 718-543-2121

info@sapphiremanufacturing.com
WWW.SAPPHIREMANUFACTURING.COM