

GEM R4

Neutral Showcase

STANDARD FEATURES

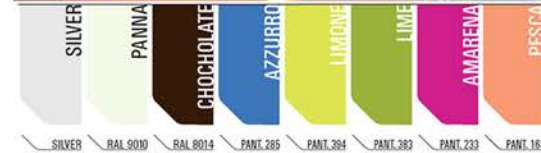
- LED lighting system
- Extra clear glass upper structure
- Sliding glass back doors
- Stainless steel lower interior foam tub
- Galvanized chassis structure
- All tempered glass
- Cases ship standard unfinished

OPTIONS

- Gem G1: sliding glass back doors on the operating side. Lift up top glass on the customer side
- Remote condensing unit
- Casters
- RAL color/laminate front and side panels
- Available in matching Gelato case



PHOTO SHOWN MATCHING GELATO



GEM R4 NEUTRAL					
TECHNICAL FEATURES		MODELS			
		GEM R4 N900	GEM R4 N1000	GEM R4 N1300	GEM R4 N1500
External Dimensions (L-D-H)	Inches	35 7/16" - 32 3/8" - 47 1/4"	39 3/8" - 32 3/8" - 47 1/4"	51 3/16" - 32 3/8" - 47 1/4"	59 1/16" - 32 3/8" - 47 1/4"
	Inches-MM	900 - 823 - 1200	1000 - 823 - 1200	1300 - 823 - 1200	1500 - 823 - 1200
Crated Dimensions (L-D-H)	Inches	41" - 39 3/8" - 53 1/8"	45" - 39 3/8" - 53 1/8"	59" - 39 3/8" - 53 1/8"	67" - 39 3/8" - 53 1/8"
	Inches-MM	1041 - 1000 - 1350	1150 - 1000 - 1350	1500 - 1000 - 1350	1700 - 1000 - 1350
Operating Temperature	°F	Ambient	Ambient	Ambient	Ambient
Electric Supply	(V/Ph/Hz)	120/1/60	120/1/60	120/1/60	120/1/60
Power Consumption	(A)	2A	3A	4A	5A
Net Weights	Kg/Lb	80Kgs / 176Lbs	90Kgs / 198Lbs	105Kgs / 231Lbs	133Kgs / 293Lbs
Crated Weights	Kg/Lb	100Kgs / 220Lbs	110Kgs / 242Lbs	125Kgs / 254Lbs	155Kgs / 340Lbs

* DIMENSIONS ARE WITHOUT SIDE PANELS

GEM R4 NEUTRAL						
TECHNICAL FEATURES		MODELS				
		GEM R4 N1700	GEM R4 N2000	GEM R4 NA90SQ	GEM R4 NA90C	GEM R4 NA45
External Dimensions (L-D-H)	Inches	66 15/16" - 32 3/8" - 47 1/4"	78 3/4" - 32 3/8" - 47 1/4"	** 51 5/16" - 32 3/8" - 47 1/4"	** 80 3/4" - 32 3/8" - 47 1/4"	** 29 1/2" - 32 3/8" - 47 1/4"
	Inches-MM	1700 - 823 - 1200	2000 - 823 - 1200	1304 - 823 - 1200	2052 - 823 - 1200	750 - 823 - 1200
Crated Dimensions (L-D-H)	Inches	74 3/4" - 39 3/8" - 53 1/8"	84" - 39 3/8" - 53 1/8"	57" - 39 3/8" - 53 1/8"	86" - 39 3/8" - 53 1/8"	35" - 39 3/8" - 53 1/8"
	Inches-MM	1900 - 1000 - 1350	2150 - 1000 - 1350	1447 - 1000 - 1350	2184 - 1000 - 1350	889 - 1000 - 1350
Operating Temperature	°F	Ambient	Ambient	Ambient	Ambient	Ambient
Electric Supply	(V/Ph/Hz)	120/1/60	120/1/60	120/1/60	120/1/60	120/1/60
Power Consumption	(A)	6A	7A	5A	5A	5A
Net Weights	Kg/Lb	105Kgs / 210Lbs	147Kgs / 324Lbs	120Kgs / 264Lbs	120Kgs / 264Lbs	106Kgs / 234Lbs
Crated Weights	Kg/Lb	125Kgs / 254Lbs	164Kgs / 360Lbs	135Kgs / 297Lbs	135Kgs / 297Lbs	120Kgs / 264Lbs

* DIMENSIONS ARE WITHOUT SIDE PANELS

** SEE PLAN VIEW FOR ADDITIONAL EXTERIOR DIMENSIONS

* Manufacturer reserves the right to change specifications without notice. Not responsible for error and omissions.



361-367 Beach Road, Burlingame, CA 94010
 Tel: 855.885.2400 | 650.342.2400 | Fax: 650.342.7400
 sales@oscartek.com | www.oscartek.com

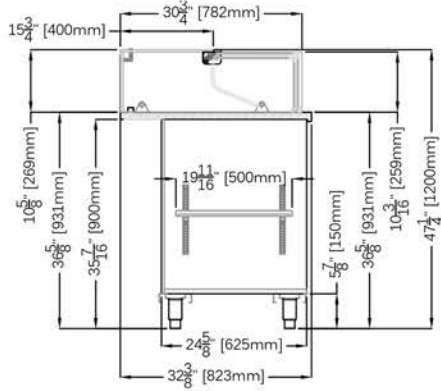


GEM R4

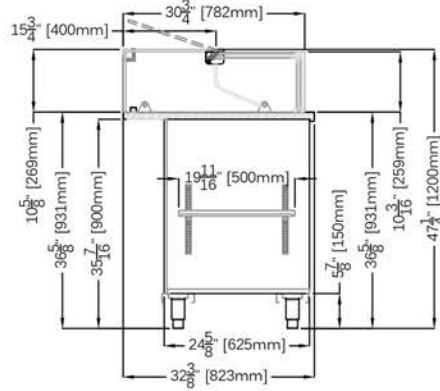
Neutral Showcase

GEM R4 - A: 32 3/8" DEPTH

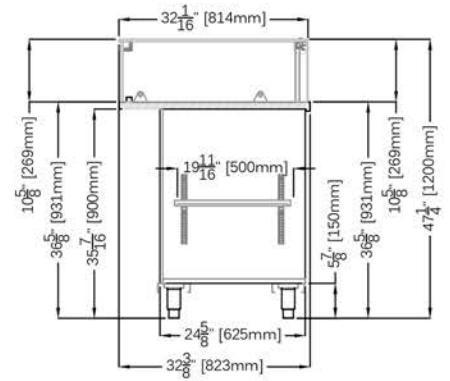
GEM R4



OPTIONAL: GEM G1 SLIDING & LIFT UP GLASS



GEM R4 - A45

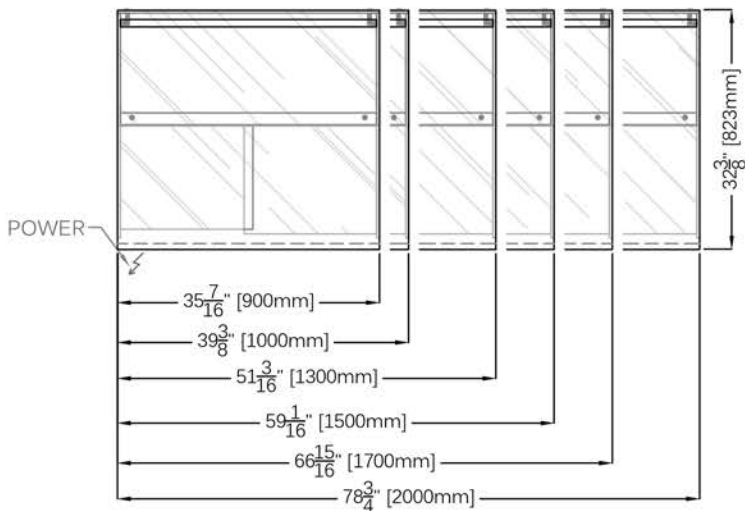


GEM R4 PHOTO SHOWN SLIDING GLASS (LEFT TO RIGHT) ON THE OPERATOR SIDE

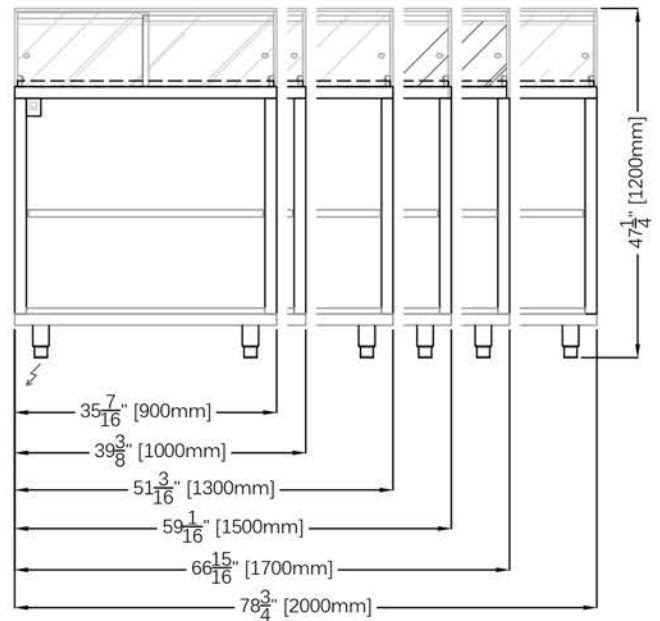


GEM G1 PHOTO SHOWN WITH FRONT LIFT UP TOP GLASS

PLAN VIEWS



REAR ELEVATIONS (OPERATOR SIDE)



* Manufacturer reserves the right to change specifications without notice. Not responsible for error and omissions.

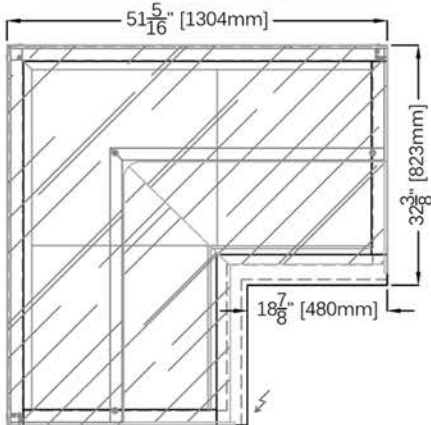


361-367 Beach Road, Burlingame, CA 94010
 Tel: 855.885.2400 | 650.342.2400 | Fax: 650.342.7400
 sales@oscartek.com | www.oscartek.com

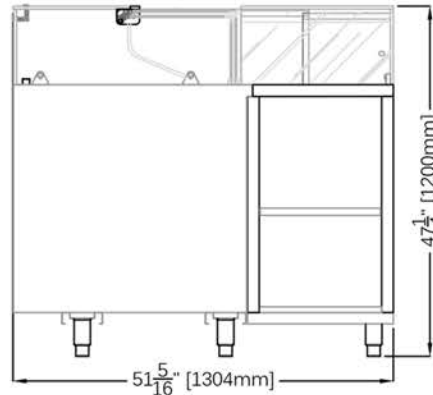


GEM R4 A90

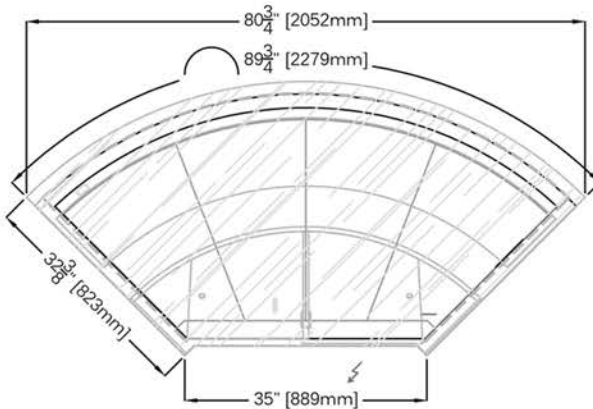
GEM R4 A90SQ PLAN VIEW



REAR ELEVATION (OPERATOR SIDE)

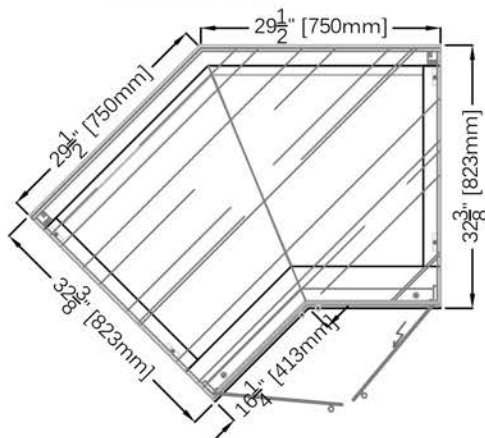


GEM R4 A90C - PLAN VIEW

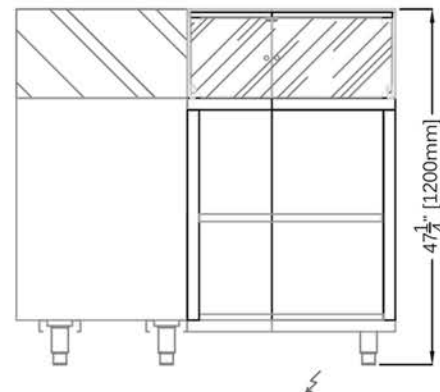


GEM R4 A45

PLAN VIEW



REAR ELEVATION (OPERATOR SIDE)



* Manufacturer reserves the right to change specifications without notice. Not responsible for error and omissions.