



PROJECT _____

ITEM NO: _____

QUANTITY: _____

3 Compartment Sinks

FEATURES & CONSTRUCTION:

- Top is fabricated with 1-1/2" rounded edge on working sides and 9-3/4" high backsplash
- All exposed welded areas smooth polished to brush finish sanitary #4.
- Welded stainless steel leg socket for removable legs.
- All units shipped K.D., and easily assembled.

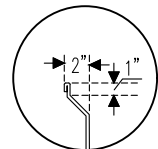
MATERIAL:

Top & Bowls: 18 Ga. stainless steel - 304
 Leg set: 1 5/8" galvanized steel tubing, stainless steel leg socket, 1" adjustable plastic bullet beet.
 Optional: Stainless steel legs and bullet feet available for additional charge

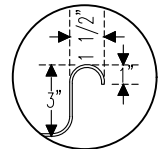
MODEL#	UNIT SIZE			BOWL SIZE			DRAINBOARD	
	L	D	H	A	B	C	LEFT	RIGHT
SMS1014-3	36"	20"	44-1/4"	10"	14"	11"	0	0
SMS1216-3	41"	21.5"		12"	16"			
SMS1416-3	47"	21.5"		14"	16"			
SMS1515-3	50"	20.5"		15"	15"			
SMS1620-3	53"	25.5"		16"	20"			
SMS1818-3	59"	23.5"		18"	18"			
SMS1821-3	59"	26.5"		18"	21"			
SMS1824-3	59"	29.5"		18"	24"			
SMS2020-3	65"	25.5"		20"	20"			
SMS2030-3	65"	35.5"		20"	30"			
SMS2424-3 *	77"	29.5"	24"	24"				



NSF STD.2 Certified



45° Slanted Backsplash Reinforced With Hemmed Edge



Rolled Rim Edge Front And Two Sides



Plastic Bullet Feet 1" Adjustable



3-1/2" Drain Basket Included

MODEL#	UNIT SIZE			BOWL SIZE			DRAINBOARD	
	L	D	H	A	B	C	LEFT	RIGHT
SMS-3-1014L	47.5"	19.5"	44-1/4"	10"	14"	11"	15"	0
SMS-3-1416L	58.5"	21.5"		14"	16"			
SMS-3-1515L	62.5"	20.5"		15"	15"			
SMS-3-1620L	68.5"	25.5"		16"	20"			
SMS-3-1818L	74.5"	23.5"		18"	18"			
SMS-3-1821L	74.5"	26.5"		18"	21"			
SMS-3-1824L24	80.5"	29.5"		18"	24"			
SMS-3-2020L	82.5"	25.5"		20"	20"			
SMS-3-2424L *	98.5"	29.5"		24"	24"			

MODEL#	UNIT SIZE			BOWL SIZE			DRAINBOARD	
	L	D	H	A	B	C	LEFT	RIGHT
SMS-3-1014R	47.5"	19.5"	44-1/4"	10"	14"	11"	0	15"
SMS-3-1416R	58.5"	21.5"		14"	16"			
SMS-3-1515R	62.5"	20.5"		15"	15"			
SMS-3-1620R	68.5"	25.5"		16"	20"			
SMS-3-1818R	74.5"	23.5"		18"	18"			
SMS-3-1821R	74.5"	26.5"		18"	21"			
SMS-3-1824R24	80.5"	29.5"		18"	24"			
SMS-3-2020R	82.5"	25.5"		20"	20"			
SMS-3-2424R *	98.5"	29.5"		24"	24"			

MODEL#	UNIT SIZE			BOWL SIZE			DRAINBOARD	
	L	D	H	A	B	C	LEFT	RIGHT
SMS-3-1014D	60"	19.5"	44-1/4"	10"	14"	11"	15"	15"
SMS-3-1416D	70"	21.5"		14"	16"			
SMS-3-1515D	75"	20.5"		15"	15"			
SMS-3-1620D	84"	25.5"		16"	20"			
SMS-3-1818D	90"	23.5"		18"	18"			
SMS-3-1821D	90"	26.5"		18"	21"			
SMS-3-1824D24	102"	29.5"		18"	24"			
SMS-3-2020D	100"	25.5"		20"	20"			
SMS-3-2030D24	108"	35.5"		20"	30"			
SMS-3-2424D *	120"	29.5"		24"	24"			

* COMES WITH 2 SET OF 8" CENTER FAUCET HOLES



Rev. 11/20

SAPPHIRE MANUFACTURING
 Tel: 718-543-2111
 Fax: 718-543-2121

info@sapphiremanufacturing.com
 WWW.SAPPHIREMANUFACTURING.COM



PROJECT _____

ITEM NO: _____

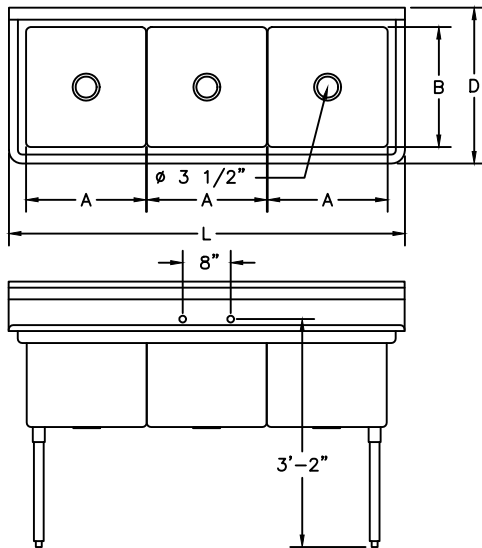
QUANTITY: _____

3 Compartment Sinks

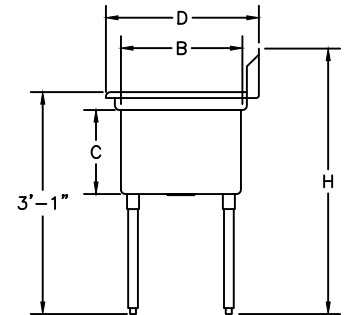
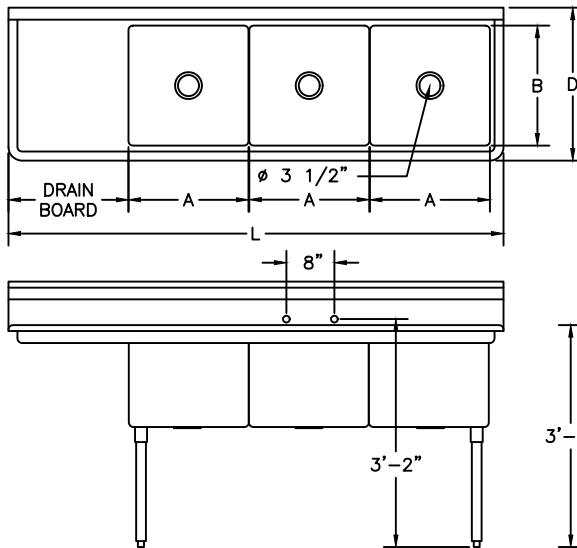


NSF STD.2
Certified

NO DRAIN BOARD

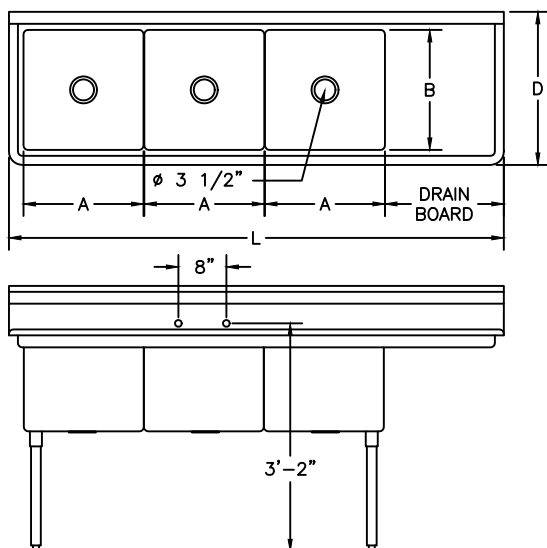


DRAIN BOARD: LEFT

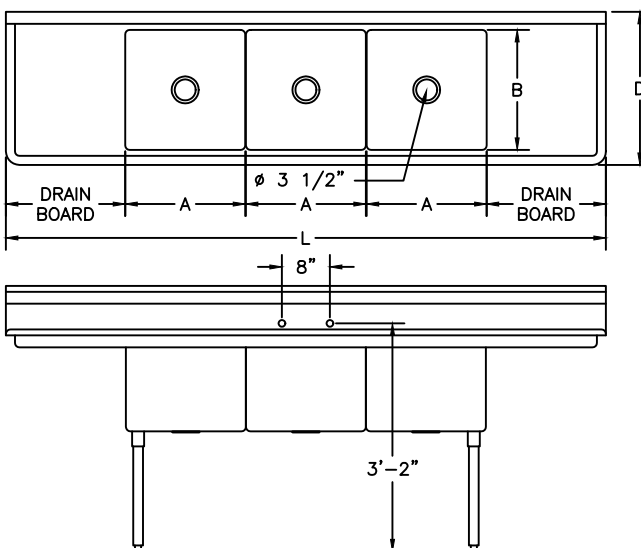


Common End View

DRAIN BOARD: RIGHT



DRAIN BOARD: L & R



* COMES WITH 2 SET OF 8" CENTER FAUCET HOLES

Specifications subject to change without notice.

All dimensions are typical (Tolerance 1/2").



Rev. 11/20

SAPPHIRE MANUFACTURING
Tel: 718-543-2111
Fax: 718-543-2121

info@sapphiremanufacturing.com
WWW.SAPPHIREMANUFACTURING.COM