



Project \_\_\_\_\_

Item # \_\_\_\_\_

Quantity \_\_\_\_\_

# Full-Service Pass-Over Sneeze Guards - Model EP11

Item Numbers:

EP11-03612, -04812, -06012, -07212, -08412, -09612, -10812, -12012, -13212, -14412,

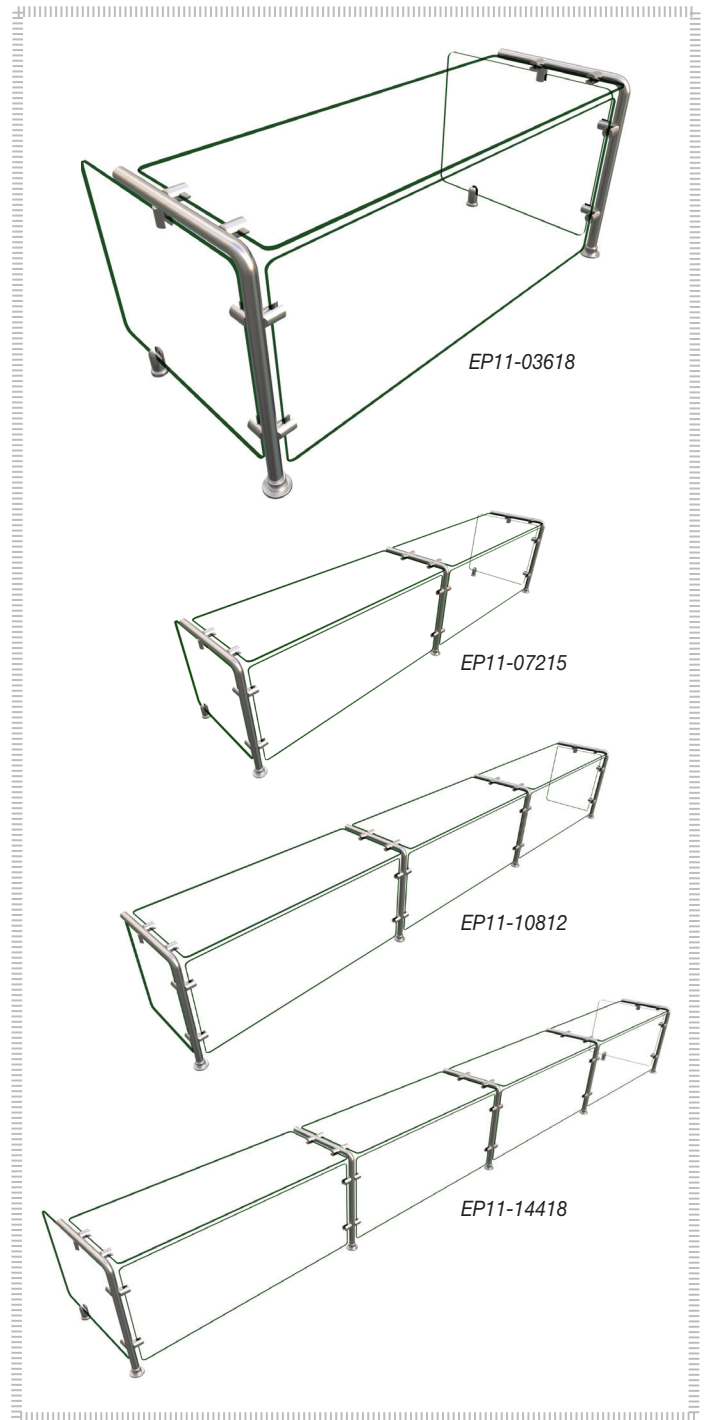
EP11-03615, -04815, -06015, -07215, -08415, -09615, -10815, -12015, -13215, -14415,

EP11-03618, -04818, -06018, -07218, -08418, -09618, -10818, -12018, -13218, -14418

Enhance and protect food products simultaneously with Hatco's Flav-R-Shield™ Sneeze Guards – EP11 for stationary full-service applications. These stylish yet functional Sneeze Guards, with several patented features, are ideal for buffet lines and serving stations. They provide all the requirements to safeguard your foods.

## Standard features

- Stylish 1" (25 mm) Diameter SAE 304 brushed stainless steel Posts
- 2" (50 mm) Diameter stainless steel finish Flanges with unique tight-fitting Flange Covers that hide mounting screws and maximize cleanability
- Durable tempered glass construction with 0.75" (19 mm) radius corners and flat polished edges for a clean look throughout
- 11.5" (276 mm) Deep, 0.25" (10 mm) Thick glass Top Panel
- 14.375" (365 mm) High, 0.25" (6 mm) Thick glass Face Panel and two glass End Panels 14.375" High (365 mm)
- End Panels are offered in three Depths, measured from center post to end of glass: 10.88", 15", 18" (276, 381, 457 mm)
- 18" (457 mm) End Panels are required to meet NSF standards
- Unit's 17.25" (438 mm) Height is ADA compliant for counter surfaces up to 36" (914 mm) from the floor
- Mounts to stainless steel, natural and artificial solid stone surfaces and laminate countertops



For operation, location and safety information, please refer to the Installation and Operating Manual.



HATCO CORPORATION | P.O. Box 340500 Milwaukee, WI 53234-0500 U.S.A. | (800) 558-0607 | (414) 671-6350

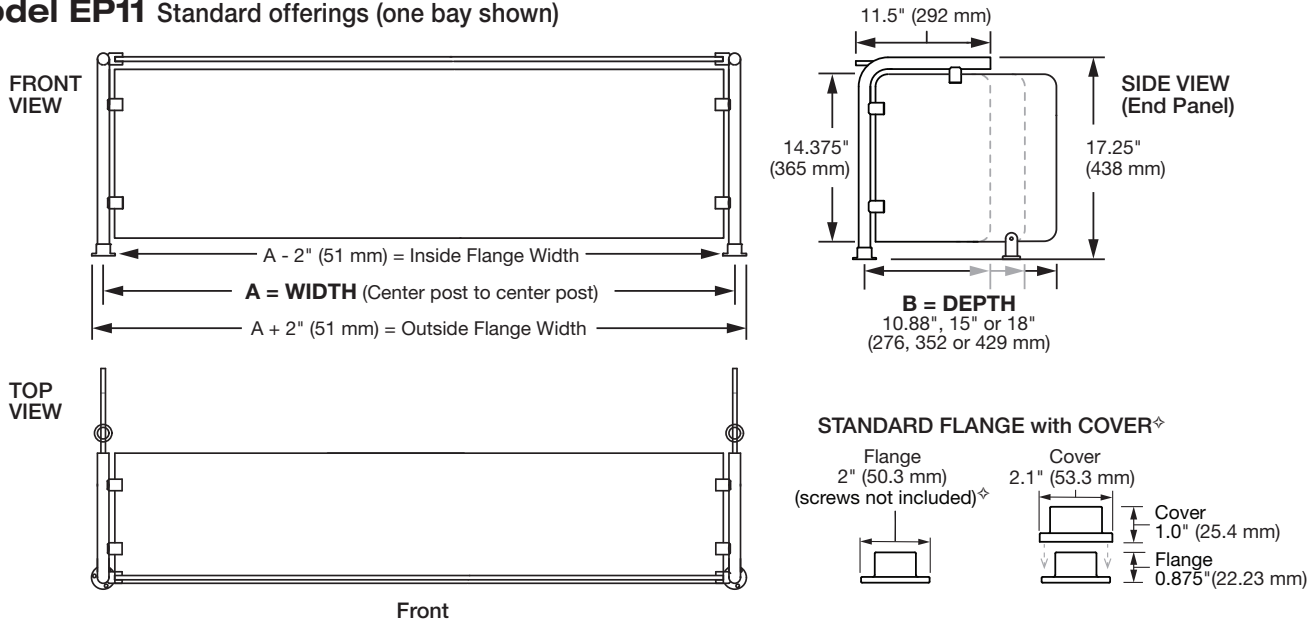
[www.hatcocorp.com](http://www.hatcocorp.com) | [www.hatcosneezeguards.com](http://www.hatcosneezeguards.com) | [support@hatcocorp.com](mailto:support@hatcocorp.com) | [Find a Hatco Rep](#) | [Image Library](#) | [Document Library](#) | [Patents](#) | [Chat](#)



# Flav-R-Shield™ Full-Service Pass-Over Sneeze Guard - Model EP11

Item number: EP11-03612, -04812, -06012, -07212, -08412, -09612, -10812, -12012, -13212, -14412, -03615, -04815, -06015, -07215, -08415, -09615, -10815, -12015, -13215, -14415, -03618, -04818, -06018, -07218, -08418, -09618, -10818, -12018, -13218, -14418

## Model EP11 Standard offerings (one bay shown)



## SPECIFICATIONS

### Flav-R-Shield™ Full-Service Pass-Over Sneeze Guards - Model EP11

All Sneeze Guards are 17.25" (438 mm) High

Number of Bays (all models)	Item Number †	A Width Center of post to center of post	B Depth Center of post to end of glass	Total Approx. Ship. Weight ■	Item Number †	A Width Center of post to center of post	B Depth Center of post to end of glass ‡	Total Approx. Ship. Weight ■	Item Number	A Width Center of post to center of post	B Depth Center of post to end of glass ‡	Total Approx. Ship. Weight ■
1	EP11-03612	36" (914 mm)	10.88" (276 mm)	37 lbs (17 kg)	EP11-03615	36" (914 mm)	15" (381 mm)	39 lbs (18 kg)	EP11-03618	36" (914 mm)	18" (457 mm)	41 lbs (19 kg)
2	EP11-04812	48" (1219 mm)	10.88" (276 mm)	46 lbs (21 kg)	EP11-04815	48" (1219 mm)	15" (381 mm)	48 lbs (22 kg)	EP11-04818	48" (1219 mm)	18" (457 mm)	50 lbs (21 kg)
2	EP11-06012	60" (1524 mm)	10.88" (276 mm)	54 lbs (25 kg)	EP11-06015	60" (1524 mm)	15" (381 mm)	57 lbs (26 kg)	EP11-06018	60" (1524 mm)	18" (457 mm)	59 lbs (27 kg)
2	EP11-07212	72" (1829 mm)	10.88" (276 mm)	63 lbs (29 kg)	EP11-07215	72" (1829 mm)	15" (381 mm)	65 lbs (30 kg)	EP11-07218	72" (1829 mm)	18" (457 mm)	67 lbs (31 kg)
2	EP11-08412	84" (2134 mm)	10.88" (276 mm)	72 lbs (33 kg)	EP11-08415	84" (2134 mm)	15" (381 mm)	74 lbs (34 kg)	EP11-08418	84" (2134 mm)	18" (457 mm)	76 lbs (35 kg)
3	EP11-09612	96" (2438 mm)	10.88" (276 mm)	81 lbs (37 kg)	EP11-09615	96" (2438 mm)	15" (381 mm)	83 lbs (38 kg)	EP11-09618	96" (2438 mm)	18" (457 mm)	85 lbs (39 kg)
3	EP11-10812	108" (2743 mm)	10.88" (276 mm)	90 lbs (41 kg)	EP11-10815	108" (2743 mm)	15" (381 mm)	92 lbs (42 kg)	EP11-10818	108" (2743 mm)	18" (457 mm)	94 lbs (43 kg)
3	EP11-12012	120" (3048 mm)	10.88" (276 mm)	98 lbs (45 kg)	EP11-12015	120" (3048 mm)	15" (381 mm)	101 lbs (46 kg)	EP11-12018	120" (3048 mm)	18" (457 mm)	103 lbs (47 kg)
4	EP11-13212	132" (3353 mm)	10.88" (276 mm)	107 lbs (49 kg)	EP11-13215	132" (3353 mm)	15" (381 mm)	109 lbs (50 kg)	EP11-13218	132" (3353 mm)	18" (457 mm)	111 lbs (51 kg)
4	EP11-14412	144" (3658 mm)	10.88" (276 mm)	116 lbs (53 kg)	EP11-14415	144" (3658 mm)	15" (381 mm)	118 lbs (54 kg)	EP11-14418	144" (3658 mm)	18" (457 mm)	120 lbs (55 kg)

† 2" (50 mm) long #8 counter sink screws are recommended for installations on most surfaces. Requirements will vary based on surface material and thickness. Fasteners not included.

‡ Side panels may not meet NSF standards, see NSF guidelines.

■ Items may be shipped in multiple boxes.

‡ Side Panels include back support legs.

## PRODUCT SPECS

### Flav-R-Shield™ Full-Service Pass-Over Sneeze Guard - Model EP11

Flav-R-Shield Full-Service Pass-Over Sneeze Guard – Model EP11 shall be manufactured by the Hatco Corporation, Milwaukee, WI 53234 U.S.A.

The unit shall be ... inches (millimeters) in overall width, ... inches (millimeters) in overall depth and ... inches (millimeters) in overall height.

The Sneeze Guard shall have 1" (25 mm) Diameter SAE 304 brushed stainless steel Posts, 2" (50 mm) Diameter stainless steel finish Flanges with tight-fitting

Flange Cover, tempered glass construction with 0.75" (19 mm) radius corners and flat polished edges. Units include 14.375" (365 mm) High, 0.25" (6 mm) Thick glass Face Panel and a 11.5" (276 mm) Deep, 0.25" (10 mm) Thick glass Top Panel. Units include two 14.375" High (365 mm) glass End Panels, with Depths of 10.88", 15" or 18" (276, 381 or 457 mm) from center post to end of glass. Units shall be 17.25" (438 mm) High [ADA compliant for counter surfaces up to 36" (914 mm) from the floor]

Warranty consists of one (1) year parts only.

HATCO CORPORATION | P.O. Box 340500 Milwaukee, WI 53234-0500 U.S.A. | (800) 558-0607 | (414) 671-6350

[www.hatcocorp.com](http://www.hatcocorp.com) | [www.hatcosneezeguards.com](http://www.hatcosneezeguards.com) | [support@hatcocorp.com](mailto:support@hatcocorp.com) | [Find a Hatco Rep](#) | [Image Library](#) | [Document Library](#) | [Patents](#) | [Chat](#)