



SPECIFICATION SHEET

Model #:	_____	Qty:	_____
Project #:	_____		
Consultant:	_____		

QUALITY FOOD SERVICE EQUIPMENT

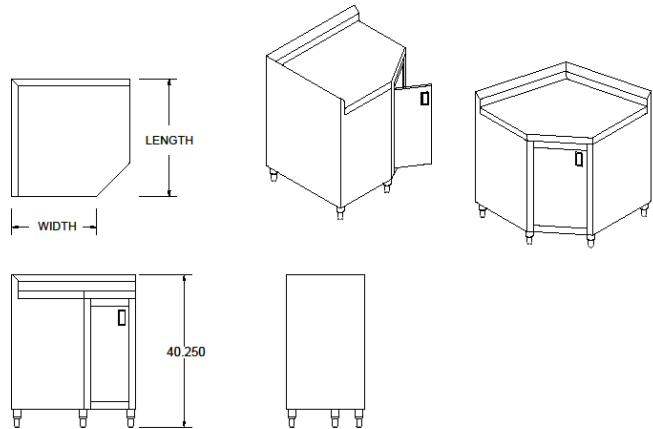
New item!

NSF

CORNER WORK CABINET

DIMENSIONS

enclosed front - heavy duty



MATERIAL

- ◆ 14GA 304 stainless steel top
- ◆ 18GA 304 stainless steel base
- ◆ Stainless steel middle shelf
- ◆ Stainless steel leg

FEATURES

- ◆ Enclosed cabinet base
- ◆ Fully welded and assembled
- ◆ Adjustable middle shelf
- ◆ One hinged door
- ◆ Adjustable legs

Model#	Length	Width
TCBC-2436R5	36"	24"
TCBC-3048R5	48"	30"