

Project:



Scan for more info!

Owners Manual
Quick Install
Quick Sizing
Install Layout
Parts List

CR-CPS-DI
**Drop In Cold Plate System
with Integrated Draft Tower**

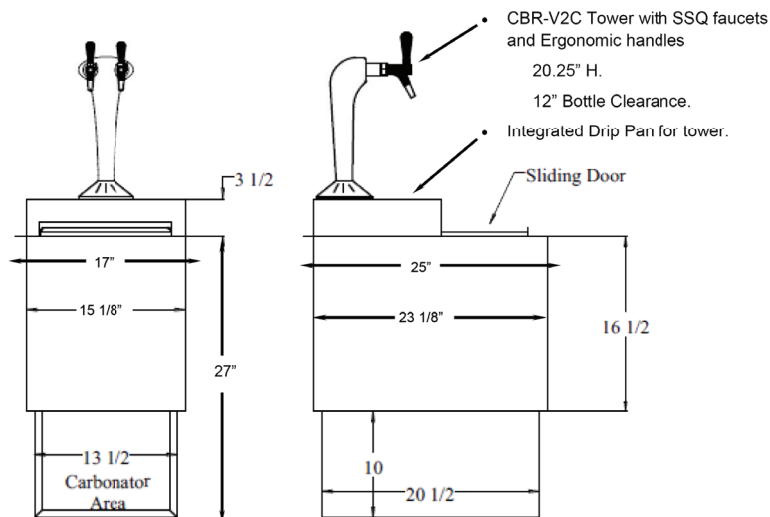


Sparkling & Chilled Water on Tap

- Engineered cold-carbonation system for smaller, longer lasting bubbles
- Non-mechanical, ice cooled chilling. Manual fill
- All stainless steel construction
- CBR-V2 Cobra style draft tower built in
- Flow rate adjustable faucets
- Plug & play design. Shipped fully assembled
- Available as a free standing unit: CR-CPS-FS

Specifications

- Electrical: 120v - 7 Amps
- Carbonator: 1/3 H.P.
- Ice bin: 40 lbs
- 17"W x 25"D x 50.75"H
- Weight: 115 lbs
- Clearance: 12.5"
- Unit Requires Countertop Cut Out
- Top Lip Trim Dimensions: 17"W x 25"D
- Countertop Cut Out Dimensions: 15.375"W x 23.375"D



- 3/8" Water inlet connector
- 3/8" Drain Pan hose 6'
- 1/4" CO2 hose with fitting
- 1/2" Ice Bin Drain fitting
- Slide open bin door
- Front access to carbonator and pump

Accessories:

- **CR-3741**
Primary High Pressure CO2 Regulator for CO2 tank
- **CR-KIT-CPS**
Installation Kit for CR-CPS model series, includes: water filter fittings, 50 psi water pressure reducer valve, angle stop adaptor and 8' 3/8 hose
- **CR-24FCP with Prefilter**
- **CR-24FC without Prefilter**
Twin filter system with compact fibredyne filters, 19"H x 17"W 5 gpm, 30,000 gal, TOC & 1/2 micron filtration



- Customer supplied CO2 Tank required

