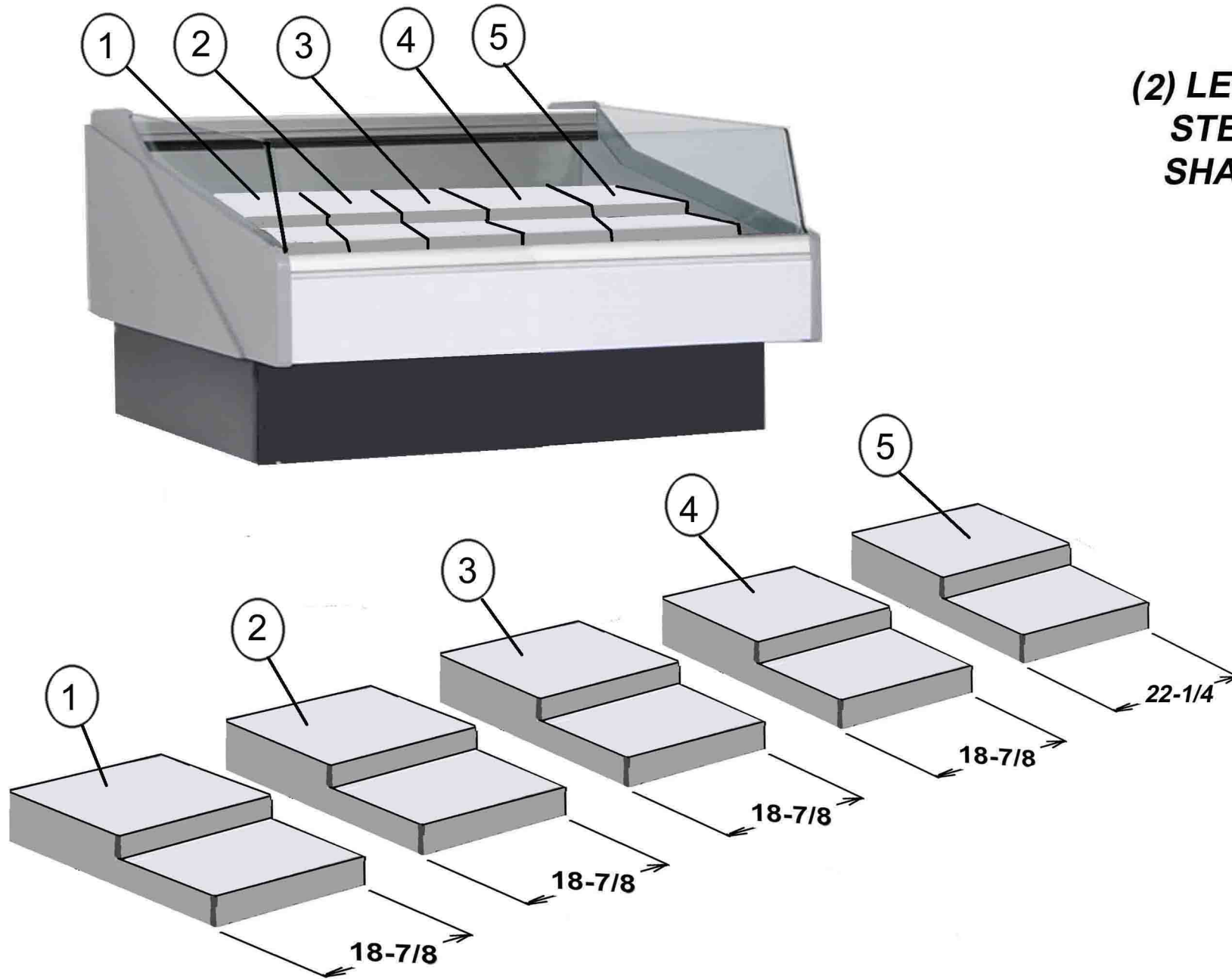
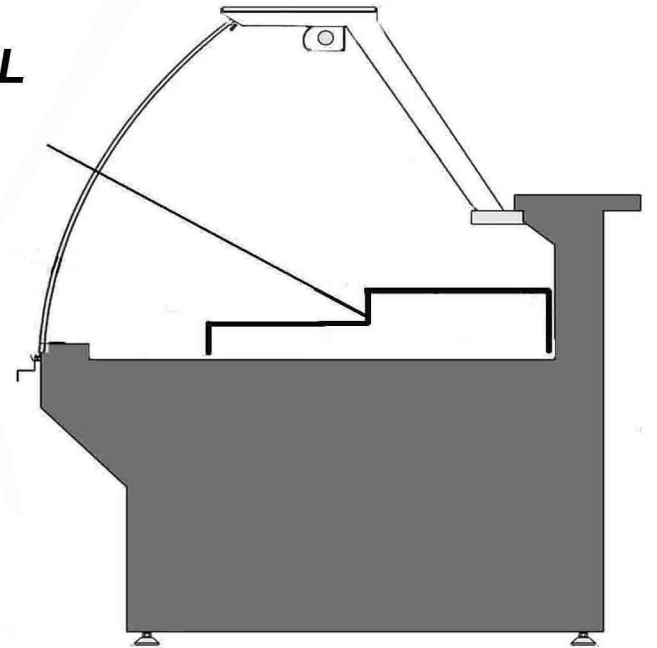


KT012I

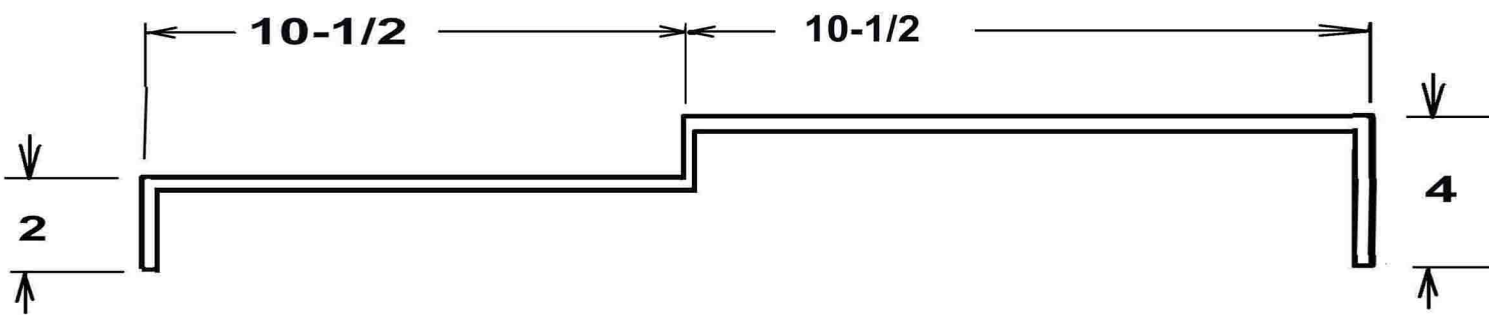
(2) LEVEL STEP SHAM - GRAY



(2) LEVEL STEP SHAM



CASES USED ON
KFM/KPM - 100



NUMBER	DESCRIPTION	QTY
1	18-7/8" x 20-7/8" (2) LEVEL STEP SHAM	1
2	18-7/8" x 20-7/8" (2) LEVEL STEP SHAM	1
3	18-7/8" x 20-7/8" (2) LEVEL STEP SHAM	1
4	18-7/8" x 20-7/8" (2) LEVEL STEP SHAM	1
5	22-1/4" x 20-7/8" (2) LEVEL STEP SHAM	1