

"DTSS-T" SORTING SHELVES

Double Sided, Tubular Construction, Table Mount

FEATURES:

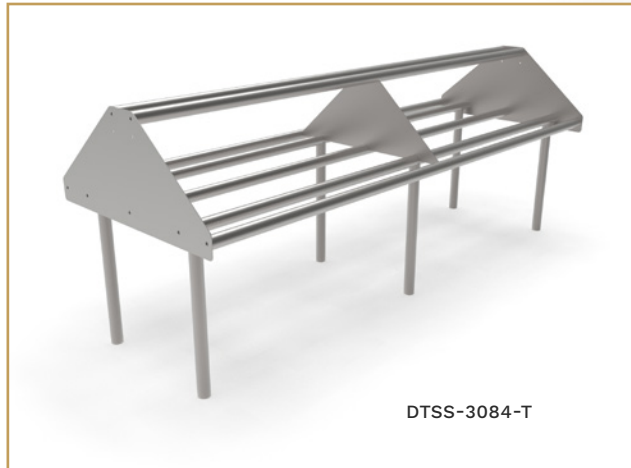
- Double Sided Tubular Sorting Shelf
- For Use With L-Shaped, Corner, Island, Or Landing Soiled Dish Tables
- Mounting With Both Ends Attached To Soiled Dish Table Or Ability To Attach One End To The Wall

SPECIFICATIONS:

- 1-5/8" 16GA Stainless Steel Tubing Bolted To End Caps With 1-5/8" Tubular Uprights To Connect To Dish Table Deck
- Tubular Shelf: 1-5/8" 16GA Stainless Steel Tubing
- Uprights: 1-5/8" 16GA Stainless Steel Tubing
- End Caps: 14GA Type 300 Stainless Steel With #4 Polish, Satin Finish



DTSS-3048-T



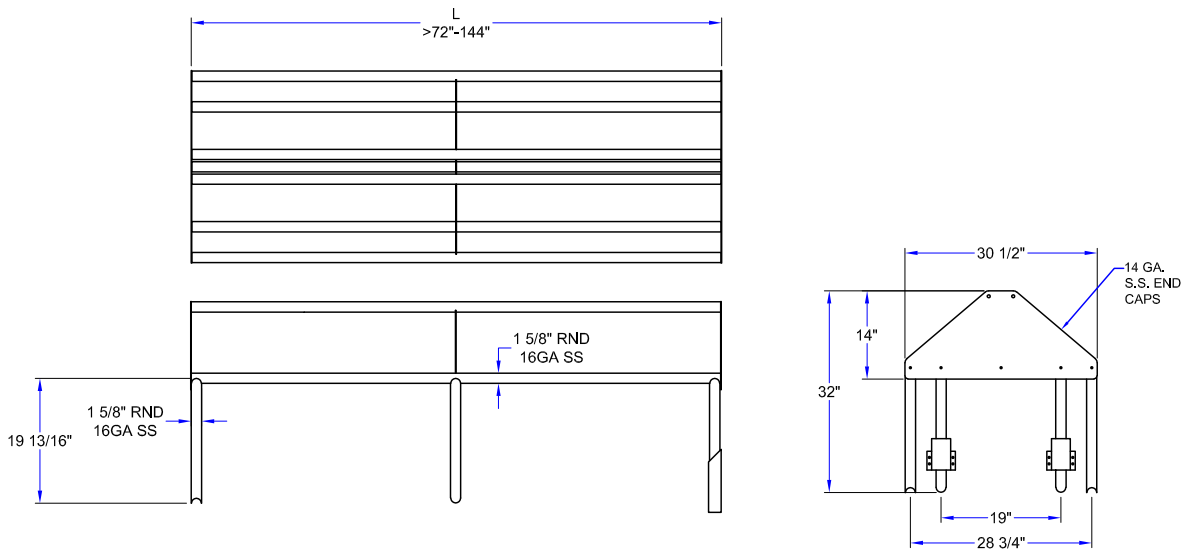
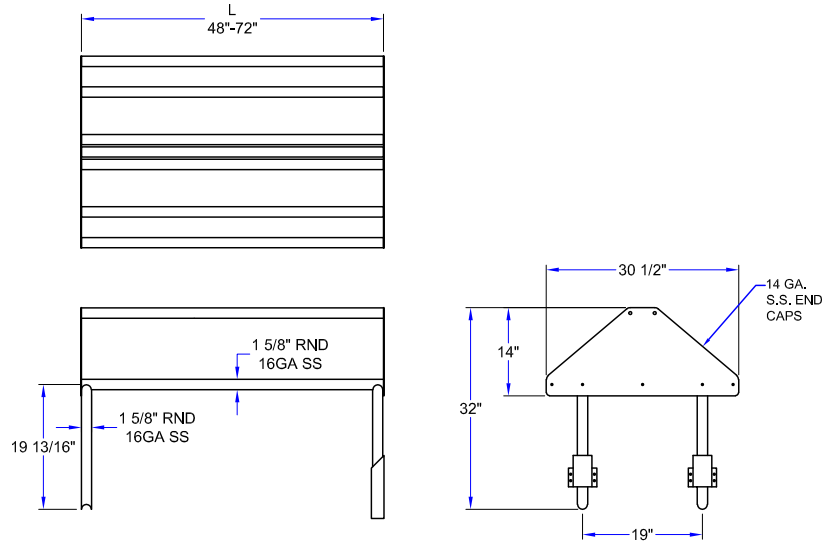
DTSS-3084-T

"DTSS-T" TUBULAR SORTING SHELF

MODEL	# OF SUPPORTS	SIZE (LXW)	WEIGHT (LBS)
DTSS-3048-T	2	48"x30-1/2"	59
DTSS-3060-T	2	60"x30-1/2"	67
DTSS-3072-T	3	72"x30-1/2"	74
DTSS-3084-T	3	84"x30-1/2"	89
DTSS-3096-T	3	96"x30-1/2"	97
DTSS-30108-T	3	108"x30-1/2"	105
DTSS-30120-T	3	120"x30-1/2"	113
DTSS-30132-T	3	132"x30-1/2"	121
DTSS-30144-T	3	144"x30-1/2"	129

ALL DIMENSIONS ARE TYPICAL. TOLERANCE +/- .500". JOHN BOOS & CO. RESERVES THE RIGHT TO CHANGE SPECIFICATIONS WITHOUT NOTICE.

DETAILED SPECIFICATIONS



"DTSS-T" TUBULAR SORTING SHELF

MODEL	# OF SUPPORTS	SIZE (LXW)	WEIGHT (LBS)
DTSS-3048-T	2	48"x30-1/2"	59
DTSS-3060-T	2	60"x30-1/2"	67
DTSS-3072-T	3	72"x30-1/2"	74
DTSS-3084-T	3	84"x30-1/2"	89
DTSS-3096-T	3	96"x30-1/2"	97
DTSS-30108-T	3	108"x30-1/2"	105
DTSS-30120-T	3	120"x30-1/2"	113
DTSS-30132-T	3	132"x30-1/2"	121
DTSS-30144-T	3	144"x30-1/2"	129

ALL DIMENSIONS ARE TYPICAL. TOLERANCE +/- .500". JOHN BOOS & CO. RESERVES THE RIGHT TO CHANGE SPECIFICATIONS WITHOUT NOTICE.