



Project _____

Item # _____

Quantity _____

Flav-R 2-Go® Locker System - Countertop

Models: F2G-3-A, -22-A, -32-A
F2G-3-C, -22-C, -32-C

The Hatco Flav-R 2-Go® Locker System - Countertop, designed specifically for your pick-up and third-party delivery needs, is capable of holding multiple orders of hot or ambient food with quick and secure access. By reducing congestion and allowing employees to focus on other functions, customers or delivery people can arrive, access their specific locker, and leave without waiting in line or disturbing the flow of other business.

Standard features

- Floor mount and built-in models also available, see alternate spec sheets
- Each locker unit has a large 10" (254 mm) touchscreen on the operator side and on the customer side. The operator puts in the name and code. The customer receives the code, enters it on the customer side, and the appropriate door unlocks and LED lights flash
- F2G-3 and F2G-32 have customer facing controls on the left side of the unit. Operator controls will be on the right-hand side. Reverse control locations are available as an option.
- F2G-22 has customer facing controls in the center of the unit. Operator controls will be the same
- Each locker has a timer that will hold prepared and packaged food for up to 45 minutes
- Lockers come preset to 150°F (66°C) with a high temperature range up to 180°F (82°C)
- Individual lockers can have the heat turned off for ambient storage
- Internal lockers come standard in Gloss Smooth White with LED indicator lights that can be programmed to six different colors: blue (standard), red, green, yellow, magenta or white (all lockers will be one color)
- Manual (standard) or POS integration capabilities available (outside vendor required)
- Available with pass-through or optional Back Panels create a one-sided access with the touchscreen only on the customer side. Available in two locker depth sizes, Designer colors and the ability to have a custom logo on the customer side glass doors



Options (available at time of purchase only)

Designer Colors -

- Non-standard colors are non-returnable – Warm Red standard –
- Black
 - Gray Granite
 - White Granite
 - Navy Blue
 - Hunter Green
 - Antique Copper

Right Side Control Panel on customer side (in lieu of left side control panel) – operator control panel would switch to left side (in lieu of right side control panel) –

- F2G-3
- F2G-32
- Back panels – Creates a non-pass-through unit – (The cord and power switch will move to the side of the unit, operators left, if right side is not selected at time of order) (subtract .95" (24 mm) to the depth and add 1.21" (30 mm) to width) – Non-pass-through units have control panel only on customer side –
- Cord Location, operator side, bottom right corner – in lieu of standard, Operator side, bottom left corner –
- QR Code Reader –
 - For non-pass-through units only. Must be combined with Back Panels
 - For pass-through units only

IFS anti-microbial coatings use naturally-occurring, environmentally sustainable, silver ions to help inhibit the growth of microbes on the powder coated surface. See www.hatcocorp.com/antimicrobial-paint for more information.

For operation, location and safety information, please refer to the Installation and Operating Manual.



HATCO CORPORATION | P.O. Box 340500 Milwaukee, WI 53234-0500 U.S.A. | (800) 558-0607 | (414) 671-6350



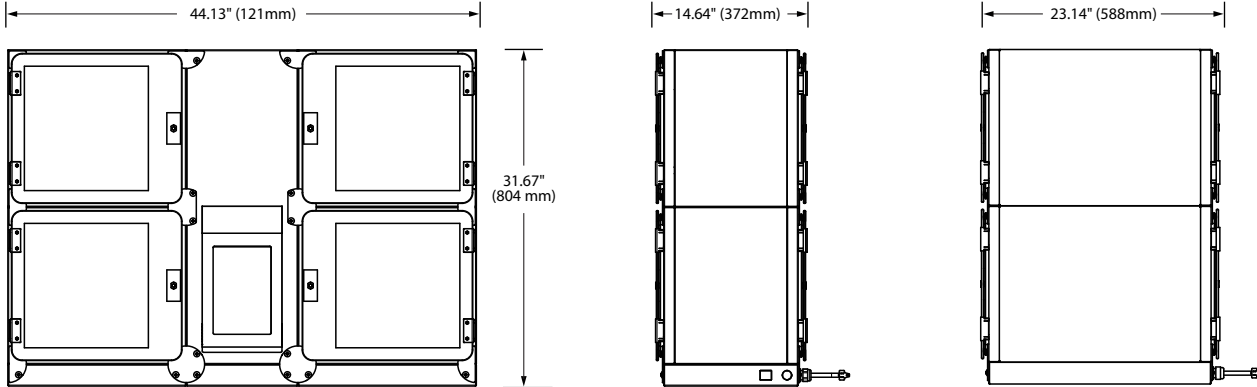
www.hatcocorp.com | support@hatcocorp.com | [Find a Hatco Rep](#) | [Image Library](#) | [Document Library](#) | [Chat](#)



Flav-R 2-Go® Locker System - Countertop

Models: F2G-3-A, -22-A, -32-A F2G-3-C, -22-C, -32-C

F2G-22

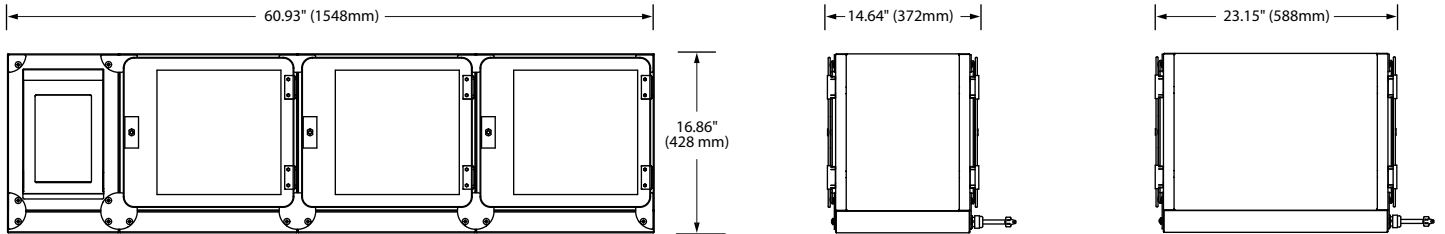


FRONT VIEW
CUSTOMER SIDE

SIDE VIEW
A MODEL

SIDE VIEW
C MODEL

F2G-3

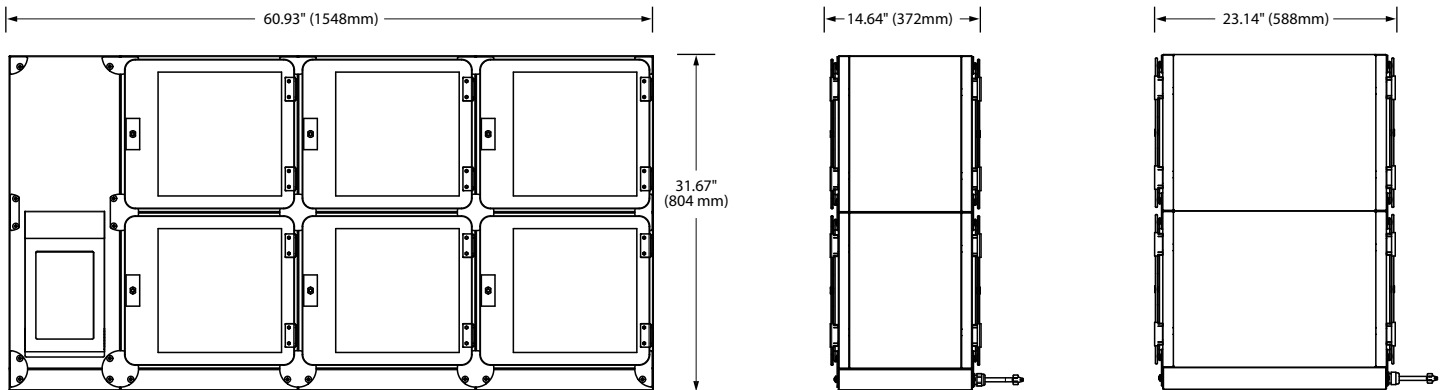


FRONT VIEW
CUSTOMER SIDE

SIDE VIEW
A MODEL

SIDE VIEW
C MODEL

F2G-32



FRONT VIEW
CUSTOMER SIDE

SIDE VIEW
A MODEL

SIDE VIEW
C MODEL





Flav-R 2-Go® Locker System - Countertop

Models: F2G-3-A, -22-A, -32-A F2G-3-C, -22-C, -32-C

SPECIFICATIONS Flav-R 2-Go® Locker Systems - Countertop

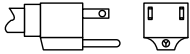
Model	Model Dimensions (W x D x H)	Number of Lockers	Internal Locker Dimensions (W x D x H)	Volts	Watts	Amps	Plug
F2G-22-A	44.13" x 14.64" x 31.67" (1121 x 372 x 804 mm)	4 lockers	12" x 12" x 12" (305 x 305 x 305 mm)	120	423	3.8	NEMA 5-15P
F2G-22-C	44.13" x 23.14" x 31.67" (1121 x 588 x 804 mm)	4 lockers	12" x 20.5" x 12" (305 x 521 x 305 mm)	120	551	4.8	NEMA 5-15P
F2G-3-A	60.93" x 14.64" x 16.86" (1548 x 372 x 428 mm)	3 lockers	12" x 12" x 12" (305 x 305 x 305 mm)	120	321	2.9	NEMA 5-15P
F2G-3-C	60.93" x 23.14" x 16.86" (1548 x 588 x 428 mm)	3 lockers	12" x 20.5" x 12" (305 x 521 x 305 mm)	120	417	3.7	NEMA 5-15P
F2G-32-A	60.93" x 14.64" x 31.67" (1548 x 372 x 804 mm)	6 lockers	12" x 12" x 12" (305 x 305 x 305 mm)	120	627	5.5	NEMA 5-15P
F2G-32-C	60.93" x 23.14" x 31.67" (1548 x 588 x 804 mm)	6 lockers	12" x 20.5" x 12" (305 x 521 x 305 mm)	120	819	7.1	NEMA 5-15P

CORD LOCATION

Operator side, bottom left corner.

PLUG CONFIGURATIONS

NEMA 5-15P



PRODUCT SPECS

Flav-R 2-Go® Locker System

The Locker System shall be a Flav-R 2-Go® Model ... , rated at ... volts, and ... watts, by the Hatco Corporation, Milwaukee, WI 53234 U.S.A.

The lockers shall consist of magnetically locked hinged doors, heated base, a 10" (254 mm) touchscreen controller on one or both sides of the unit, a Power on/off

switch, LED lighting and a 6' (1829 mm) cord with plug attached.

Warranty consists of 24/7 parts and service assistance (U.S. and Canada only).

HATCO CORPORATION | P.O. Box 340500 Milwaukee, WI 53234-0500 U.S.A. | (800) 558-0607 | (414) 671-6350



www.hatcocorp.com | support@hatcocorp.com | [Find a Hatco Rep](#) | [Image Library](#) | [Document Library](#) | [Chat](#)