



48" Refrigerated Deli Case ♦ NPDC-48B



Standard Features

- ♦ Aluminum interior liner with stainless steel floor
- ♦ Attractive curved glass and sliding glass doors
- ♦ Rounded corner design inside the cabinet makes cleaning easy
- ♦ Keeps product between 32°F to 43°F (0°C to 6°C)
- ♦ Easy to set electronic temperature and defrost control
- ♦ Easy access to condensor coil for cleaning and service
- ♦ Adjustable heavy-duty PVC coated shelves
- ♦ LED interior lighting

Technical Specifications

Product Classification	Refrigerator
Climate Class	N
Number of Doors / Lids	2 Doors
External Cabinet Material	Coated Stainless Steel
Internal Cabinet Material	Aluminum and Stainless Steel
Type of Refrigeration Agent	R-290
Type of Temperature Control	Digital
Temperature Range °C	0°C to 6°C
Temperature Range °F	32°F to 43°F
Voltage / Frequency	115V / 60Hz
Amp	3.12
Compressor HP	1/4+
Type of Insulation	2.5-Inch Polyurethane Foam
Door Handle	N/A

Certified Safety Standard

- ♦ ETL Listed
- ♦ ETL Sanitation Listed



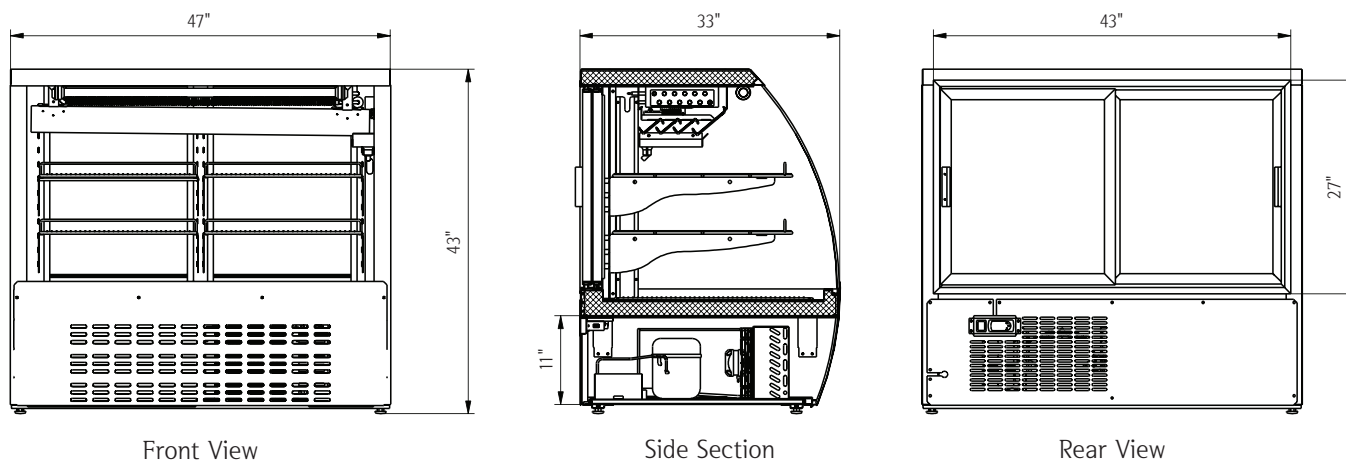
Warranty Information

- ♦ 5 Years Compressor
- ♦ 3 Year Parts & Labor





48" Refrigerated Deli Case ♦ NPDC-48B



Plug Type: (NEMA) 5-15P

Capacity

Gross Capacity 18 cu. ft.

Dimensions

Internal Cabinet Width 43 in
 Internal Cabinet Depth 27 in
 Internal Cabinet Height 27 in
 External Width 47 in
 External Depth 33 in
 External Height 43 in
 Shipping Dimensions (W x D x H) 52 x 37 x 49 in

Weight

Gross Weight 388 lbs.

Accessories

Frost Free Yes
 Adjustable Shelves 4
 Fixed Shelves No
 Internal Light Yes
 Internal Light Switch No
 External Light Switch Yes
 Self Closing Door / Lid No
 Door Holder for Loading No
 Door / Lid Lock No
 Reversible (Left) Door No
 Adjustable Feet No
 Adjustable Thermostat Yes