

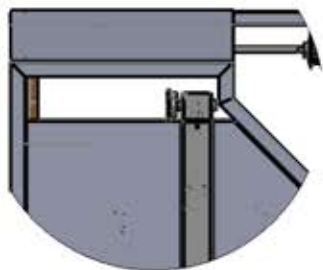
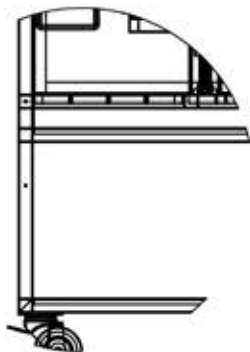
2

1

REVISIONS				
ZONE	REV.	DESCRIPTION	DATE	APPROVED
	A	RFP	3/26/18	RWG

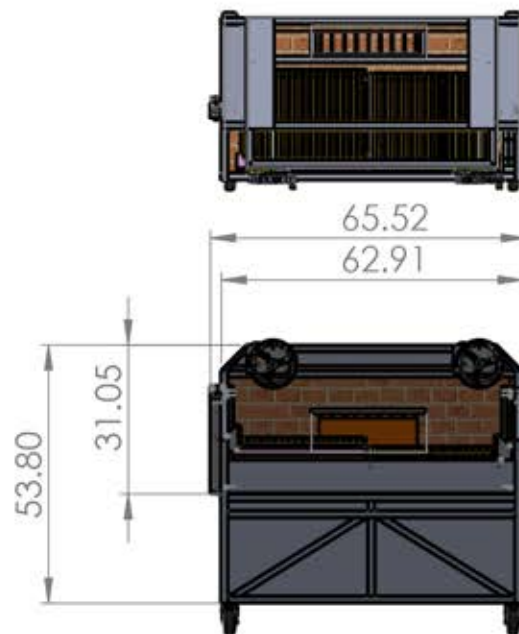
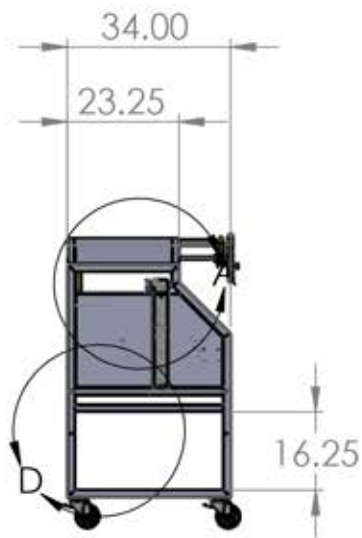
B

B



DETAIL D
SCALE 1 : 20

DETAIL A
SCALE 1 : 20



The information contained in this drawing is the sole property of Grillworks LLC.

Any reproduction or distribution in part or as a whole without express written consent is prohibited.



**LANGELIER ELITE 54
MODEL # GWI54
X LIFT SYSTEM**

Unless otherwise specified, all dimensions are in inches.

For more information call 855-434-3473

GrillworksUSA.com

GRILLWORKS®