

REFRIGERATING UNIT - FREEZER

MODEL	PF098T3	1.0	HP
VOLTS	208-230	PH 1	CYCLES 60
REFRIGERANT	R448A	28 OZ.	4,200 BTUH
TOTAL LOAD	10.5 AMPS	TOTAL HEAT REJECTED	8,910 BTUH
MIN. CIRCUIT AMPACITY	12.7	EVAP. FAN	0.6 AMPS EA.
MAX. EXTERNAL FUSE SIZE	20	EVAP. FAN	38W HP
COMP. RLA	8.7	DEFROST	4.3 AMPS
COMP. LRA	55.0	COND. FAN	0.6 AMPS
LOW SIDE DESIGN PRESS.	230 PSIG	COND. FAN	38W HP
HIGH SIDE DESIGN PRESS.	450 PSIG	WEIGHT	300 LBS.
AWEF	2.07		

NOTE:
SYSTEM IS SUPPLIED WITH A HOT GAS CONDENSATE PAN. A CONDENSATE DRAIN LINE IS NOT REQUIRED.

NOTE:
18" CLEARANCE REQUIRED ON ALL SIDES FOR PROPER OPERATION OF POLAR PAK SYSTEMS.

ITEMS PROVIDED INCLUDE:

1. Liquid Line Filter/Driers
2. Electronic Temp Control (Installed)
3. Expansion Valve (Installed)
4. Scroll Compressor-Copeland
5. High Pressure Switch
6. Fan Motors-115/1/60

CONFORMS TO ANSI/UL STD 427

CERTIFIED TO CAN/CSA STD C22.2 NO.120-04

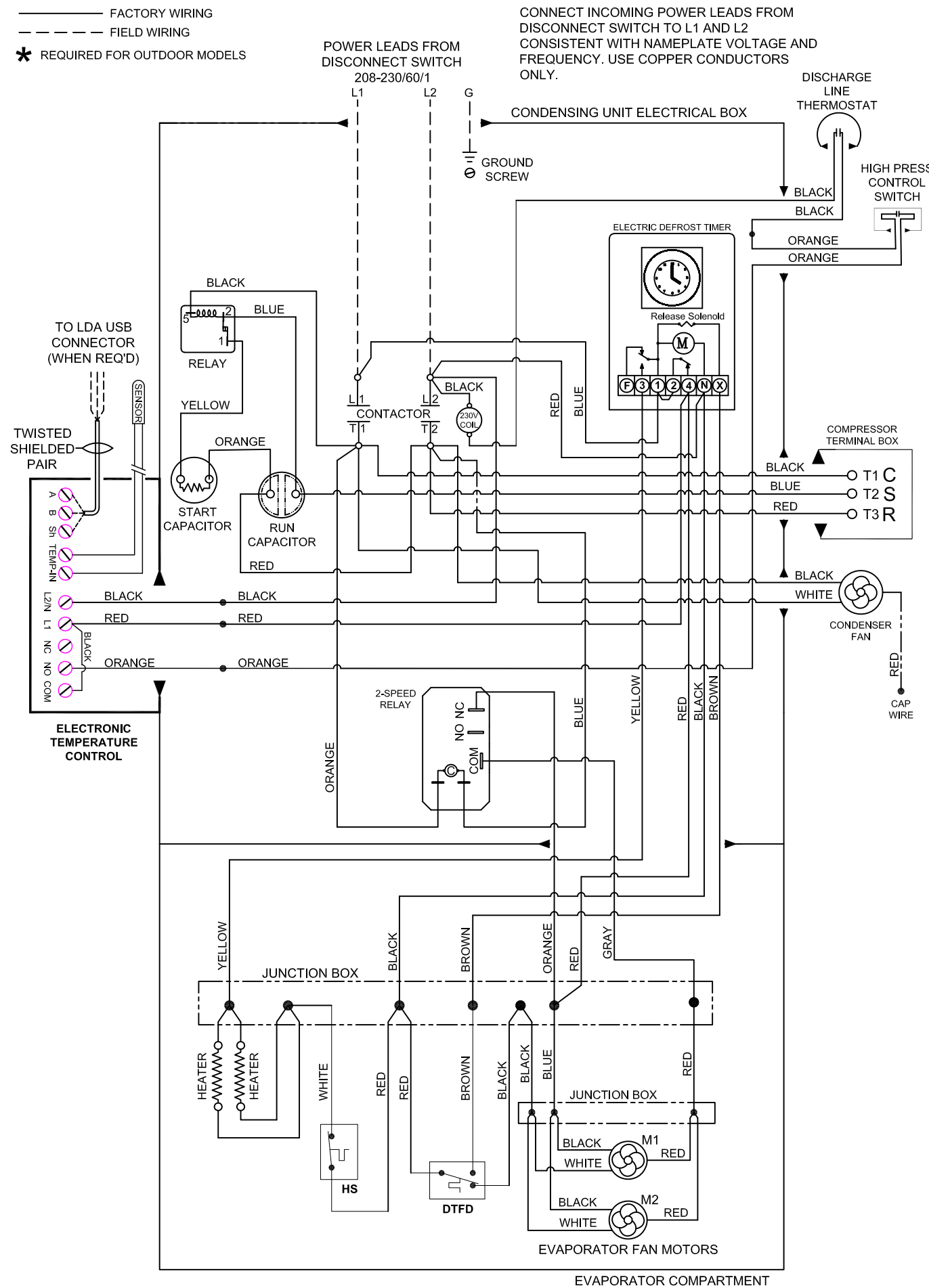


THIS DRAWING/FILE IS THE PROPERTY OF KOLPAK AND IS STORED IN AN ELECTRONIC DATA BASE. ANY ALTERATIONS OR ADDITIONS MUST BE APPROVED BY KOLPAK ENGINEERING AND CHANGED IN DATA BASE.

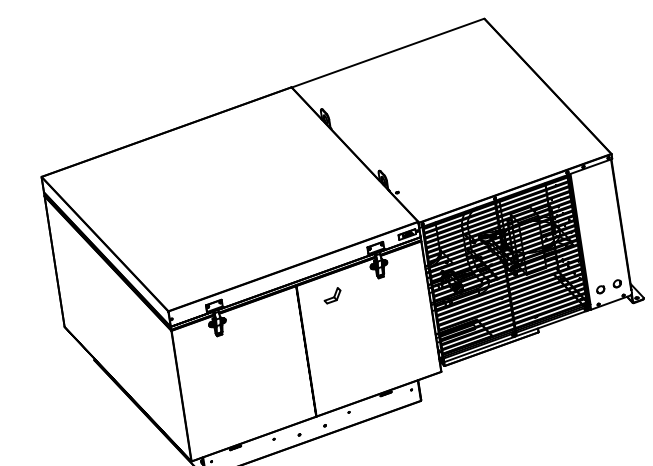
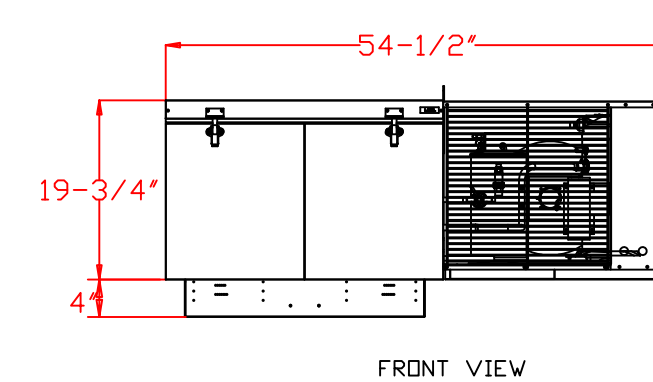
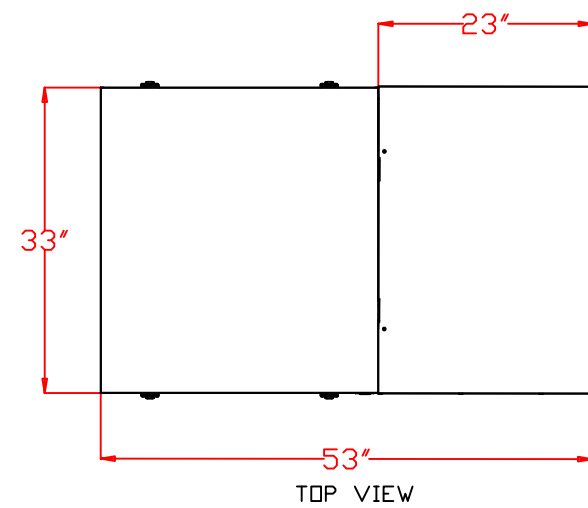
SIGNED APPROVED PRINT MUST BE REC'D. B/4 FAB.

APPROVED AS DRAWN
 APPROVED AS NOTED
 REVISE AND RESUBMIT

SIGNED: _____
DATE: _____



R448A POLAR PAK FREEZER WIRING DIAGRAM 208-230/1/60



DATE	No.	DESCRIPTION OF CHANGE	AUTH	BY
06.09.20	3	ADDED AWEF	AN	DW

PF098T3 (208-230/1/60)

SCALE: NONE	DEALER:	DRAWN BY: DJW
DATE: 01.14.2020		REVISED:
KOLPAK A Welbilt Brand		KOLPAK QUOTE NO.:
		DRAWING NUMBER: PF098T3