

GRAB-A-BAG CART

Carts designed specifically for remote service and built to last.



Changing how food is served.

LTI's molded fiberglass & stainless steel food bar is durable & incredibly easy to clean, looking new for 20 years – **outlasting any plastic or laminated unit.**



Grab-a-Bag Cart

MODEL NUMBER GAB-84 (1 OR 2)

- 84-3/8" long x 30" wide x 34" high
- Molded Fiberglass

STANDARD MODEL:

- Insulated Well 3-Pan Capacity to Accommodate Hot/Cold Items
- Double-Sided Service, 2-Tier Sloped Overshelf (14-gauge Stainless Steel)
- Stainless Steel Push Handle
- Available in Black, White, Regal Blue, & Candy Apple Red
- 5" Casters with Brakes on All Wheels

OPTION 1 - Stainless Steel Insulated Milk Compartment Accommodates Four 13" x 13" Milk Crates, (200 milk cartons) with 7 Freezer Packs

OPTION 2 - Insulated Well 3-Pan Capacity to Accommodate Hot/Cold Items and 4 Crate Freezer Packs

OPTIONAL EXTRAS:

- End Drop Shelf
- Vinyl Graphics on 4 Sides
- Decals (each) - Art Print-Ready Files Provided
- Max size of 24" x 48" (if not, design fee will be applied)



OPTION 2 SHOWN WITH OPTIONAL EXTRAS
End Drop Shelf, Vinyl Graphics

Vinyl Graphic Wrap Options - choose one of these designs for the cart



Vinyl Graphics 1



Vinyl Graphics 2



Vinyl Graphics 3



Vinyl Graphics 4



Vinyl Graphics 5



Vinyl Graphics 6



Vinyl Graphics 7



Vinyl Graphics 8



Vinyl Graphics 9



Vinyl Graphics 10

COLORPOINT™

GRAB-A-BAG CART

SPECIFICATION

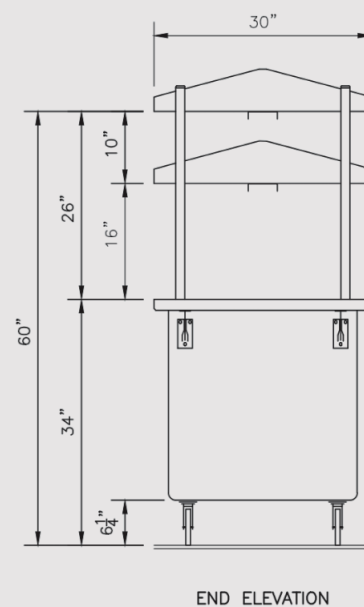
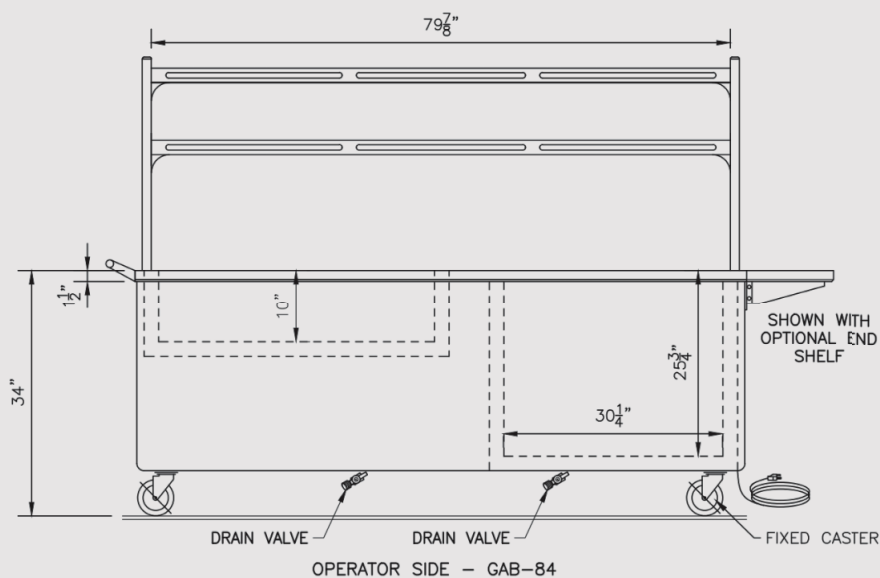
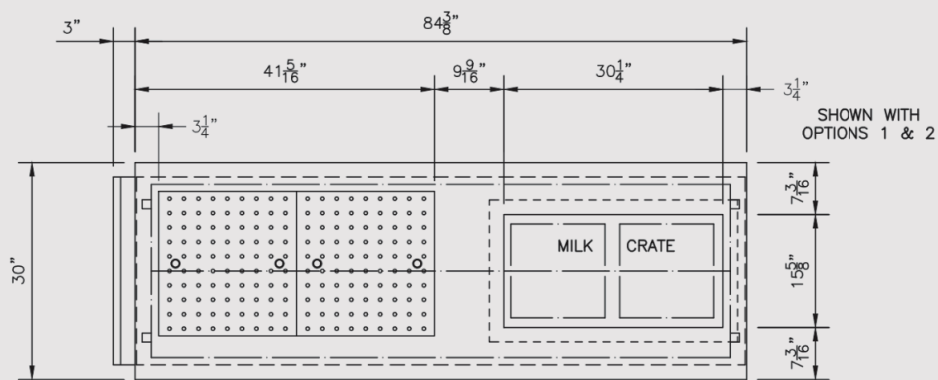
Top to be 30" wide and fabricated from 14-gauge **stainless steel** with square turndown on all sides and corners fully welded, ground and polished. To have #4 satin finish with all edges having #7 hi-lite finish.

Body to be **seamless molded fiberglass** (F.R.P.) with smooth exterior surfaces and rounded corners. To be constructed by a hand lay-up process with four layers of 1.5 oz continuous strand fiberglass mat, plus a 24 oz layer of woven roving on the bottom for added strength. To be flame retardant per specification ASTM E-162 having a flame spread of 25 or less. Body interior to be reinforced at each end with 4" wide, 12-gauge galvanized steel channel welded to form integral "U" frame for maximum stress relief. The ice cooled cold pan shall be of 18-gauge **stainless steel** and be 6" deep. The welded watertight pan to be double wall construction, fully insulated with urethane insulation with sectional, removable false bottom. A full perimeter plastic laminate

breaker strip shall separate the top from the cold pan. Option 1- Stainless steel insulated Milk Compartment accommodates (4) 13" x 13" Milk crates (200 milk cartons) with (7) freezer packs. Option 2- Three-well pan to accommodate Hot and Cold items and to have 1" open brass shut-off drain with extension to valve below base.

5" diameter x 2" wide, ball bearing, swivel type casters to be non-marking and with brakes on all wheels. Casters to be mounted with internal and external bracing for maximum stress relief. Standard cart will have double-sided Two-Tier sloped overself 14 gauge **stainless steel**.

The tray slides shall be 16-gauge **stainless steel**, 8" wide with edges turned down square and all corners fully welded, ground and polished. Support brackets to be adjustable 14-gauge **stainless steel** fold down type. Bracket to have the ability to be adjusted for 1/4" in height and leveling.



REV 11/12/18



LTI, Inc.
9192 Tara Blvd.
Jonesboro, GA 30236

T 770 478 8803
F 770 471 3715
W lowtempind.com

To order, contact your local LTI Rep at lowtempind.com/rep