

POZZETTI/BPGL

POZZETTI/BPGL WITH STORAGE SHOWCASE

STANDARD FEATURES

- Energy efficient air cooled condensing unit
- One piece molded body using 3" ecologic polyurethane insulation
- High performance
- Fan assisted with equalized temperature embedded coil and thermostatic valve
- Climate class 4 (+86°F/55% R.H.)
- AISI304 stainless steel external finish top and back stainless steel interior
- Ecological polyurethane foam insulation
- Stainless steel scotch brite adjustable feet, gray steel frame support
- Digital control panel
- Flexible arrangement that can be multiplexed and customized to fit customer layout
- 240oz. stainless steel container; Stainless steel cylindrical containers dim. Ø 7 1/2"-9 3/4"H.
- Approximately 7 liters
- Cases ship standard unfinished



OPTIONS

- Sneeze guard
- Ventilated refrigeration
- Fan ventilated refrigeration system to equalized temperature inside the cabinet
- Condensing unit
- Water cooled condensing system
- Remote condensing unit
- Electric heated condensate pan
- Custom front and side paneling
- Stainless steel scoop washer with fixed water tap
- Reinforced wood crate
- Casters

POZZETTI/BPGL WITH STORAGE (REMOTE)					
TECHNICAL FEATURES		MODELS			
		POZZETTI/BPGL PSR2	POZZETTI/BPGL PSR4	POZZETTI/BPGL PSR6	POZZETTI/BPGL PSR8
External dimensions (L-D-H)	Inches	*19 11/16" - 25 13/16" - 36 5/8"	*29 1/2" - 25 13/16" - 36 5/8"	*39 3/8" - 25 13/16" - 36 5/8"	*49 3/16" - 25 13/16" - 36 5/8"
Inches-MM	MM	*500 - 655 - 931	*750 - 655 - 931	*1000 - 655 - 931	*1250 - 655 - 931
Crated dimensions (L-D-H)	Inches	25" - 31" - 42"	35" - 31" - 42"	45" - 31" - 42"	55" - 31" - 42"
Inches-MM	MM	635 - 787 - 1066	889 - 787 - 1066	1143 - 787 - 1066	1397 - 787 - 1066
Refrigeration	Type	Static Only	Static / Ventilated	Static / Ventilated	Static / Ventilated
No. of Containers (240 oz.)	#	4	8	12	16
Compressor	Nr./Type	1	1	1	1
Compressor (PwH*-pw)	(Pw-HP)	230-1/3	310-5/8	310-5/8	450-3/4
BTU's @ -25°F Evap					
Temperature	BTU'S	832 BTU'S	1280 BTU'S	2048 BTU'S	2528 BTU'S
Power Supply	(V/Ph/Hz)	115/1/60	115/1/60	115/1/60	115/1/60
Electrical Input (standard)*	(A)	2A	3A	4A	5A
Defrost	Mode/Type	Off-Cycle	Off-Cycle	Off-Cycle	Off-Cycle
Climatic Class	N°	4	4	4	4
Operationg Conditions	°C/°F - R.H.%	30/86-55	30/86-55	30/86-55	30/86-55
Refrigerant	Type	R404A	R404A	R404A	R404A
Net Weights	Lb	175Lbs	260Lbs	335Lbs	444Lbs
Crated Weights	Lb	325Lbs	469Lbs	578Lbs	719Lbs

* DIMENSIONS ARE WITHOUT SIDE PANELS. NOTE: DISPLAY CASE ONLY - AMPERAGE DOES NOT INCLUDED CONDENSING UNIT

* Manufacturer reserves the right to change specifications without notice. Not responsible for error and omissions.



512 South Airport Blvd., South San Francisco, CA 94080
 Tel: 855.885.2400 | 650.342.2400 | Fax: 650.342.7400
 sales@oscartek.com | www.oscartek.com



POZZETTI/BPGL WITH STORAGE (REMOTE)				
TECHNICAL FEATURES		MODELS		
		POZZETTI/BPGL PSR10	POZZETTI/BPGL PSR12	POZZETTI/BPGL PSRA45
External dimensions (L-D-H)	Inches	*59 3/8" - 25 13/16" - 36 5/8"	*78 3/4" - 25 13/16" - 36 5/8"	*44 1/16" - 25 13/16" - 36 5/8"
Inches-MM	MM	*1507 - 655 - 931	*2000 - 655 - 931	*1120 - 655 - 931
Crated dimensions (L-D-H)	Inches	65" - 31" - 42"	85" - 31" - 42"	51" - 31" - 42"
Inches-MM	MM	1651 - 787 - 1066	2159 - 787 - 1066	1295 - 787 - 1066
Refrigeration	Type	Static / Ventilated	Static / Ventilated	Static / Ventilated
No. of Containers (240 oz.)	#	20	24	10
Compressor	Nr./Type	1	1	1
Compressor (PwH*-pw)	(Pw-HP)	600-1.2	310-5/8	450-3/4
BTU's @ -25°F Evap Temperature	BTU'S	3200 BTU'S	2048 BTU'S (2)	2528 BTU'S
Power Supply	(V/Ph/Hz)	115/1/60	115/1/60 (2)	115/1/60
Electrical Input (standard)*	(A)	6A	4A (2)	5A
Defrost	Mode/Type	Off-Cycle	Off-Cycle	Off-Cycle
Climatic Class	N°	4	4	4
Operating Conditions	°C/°F - R.H.%	30/86-55	30/86-55	30/86-55
Refrigerant	Type	R404A	R404A	R404A
Net Weights	Lb	5234Lbs	774Lbs	444Lbs
Crated Weights	Lb	809Lbs	1231Lbs	719Lbs

* DIMENSIONS ARE WITHOUT SIDE PANELS NOTE: DISPLAY CASE ONLY - AMPERAGE DOES NOT INCLUDED CONDENSING UNIT

POZZETTI/BPGL WITH STORAGE (SELF CONTAINED)					
TECHNICAL FEATURES		MODELS			
		POZZETTI/BPGL PS2	POZZETTI/BPGL PS4	POZZETTI/BPGL PS6	POZZETTI/BPGL PS8
External dimensions (L-D-H)	Inches	*39 3/8" - 25 13/16" - 36 5/8"	*49 3/16" - 25 13/16" - 36 5/8"	*59 1/16" - 25 13/16" - 36 5/8"	*68 7/8" - 25 13/16" - 36 5/8"
Inches-MM	MM	*1000 - 655 - 931	*1250 - 655 - 931	*1500 - 655 - 931	*1750 - 655 - 931
Crated dimensions (L-D-H)	Inches	25" - 31" - 42"	35" - 31" - 42"	45" - 31" - 42"	55" - 31" - 42"
Inches-MM	MM	635 - 787 - 1066	889 - 787 - 1066	1143 - 787 - 1066	1397 - 787 - 1066
Refrigeration	Type	Static / Ventilated	Static / Ventilated	Static / Ventilated	Static / Ventilated
No. of Containers (240 oz.)	#	4	8	12	16
Compressor	Nr./Type	1	1	1	1
Compressor	(Pw-HP)	230-1/3	310-5/8	310-5/8	450-3/4
Power Supply	(V/Ph/Hz)	115/1/60	115/1/60	115/1/60	115/1/60
Electrical Input (standard)	(W/A)	5.1A	7.2A	7.5A	7.5A
Defrost	Mode/Type	Off-Cycle	Off-Cycle	Off-Cycle	Off-Cycle
Climatic Class	N°	4	4	4	4
Operating Conditions	°C/°F - R.H.%	30/86-55	30/86-55	30/86-55	30/86-55
Refrigerant	Type	R404A	R404A	R404A	R404A
Net Weights	Lb	250Lbs	335Lbs	410Lbs	519Lbs
Crated Weights	Lb	400Lbs	544Lbs	653Lbs	794Lbs

* DIMENSIONS ARE WITHOUT SIDE PANELS

POZZETTI/BPGL WITH STORAGE (SELF CONTAINED)				
TECHNICAL FEATURES		MODELS		
		POZZETTI/BPGL PS10	POZZETTI/BPGL PS12	POZZETTI/BPGL PSA45
External dimensions (L-D-H)	Inches	*79 1/16" - 25 13/16" - 36 5/8"	*98 7/16" - 25 13/16" - 36 5/8"	*64 1/8" - 25 13/16" - 36 5/8"
Inches-MM	MM	*2007 - 655 - 931	*2500 - 655 - 931	*1629 - 655 - 931
Crated dimensions (L-D-H)	Inches	65" - 31" - 42"	105" - 31" - 42"	71" - 31" - 42"
Inches-MM	MM	1651 - 787 - 1066	2667 - 787 - 1066	1803 - 787 - 1066
Refrigeration	Type	Static / Ventilated	Static / Ventilated	Static / Ventilated
No. of Containers (240 oz.)	#	20	24	10
Compressor	Nr./Type	1	1	1
Compressor	(Pw-HP)	600-1.2	310-5/8	450-3/4
Power Supply	(V/Ph/Hz)	115/1/60	115/1/60	115/1/60
Electrical Input (standard)	(W/A)	11.2A	15A	8A
Defrost	Mode/Type	Off-Cycle	Off-Cycle	Off-Cycle
Climatic Class	N°	4	4	4
Operating Conditions	°C/°F - R.H.%	30/86-55	30/86-55	30/86-55
Refrigerant	Type	R404A	R404A	R404A
Net Weights	Lb	609Lbs	820Lbs	519Lbs
Crated Weights	Lb	884Lbs	1306Lbs	794Lbs

* DIMENSIONS ARE WITHOUT SIDE PANELS

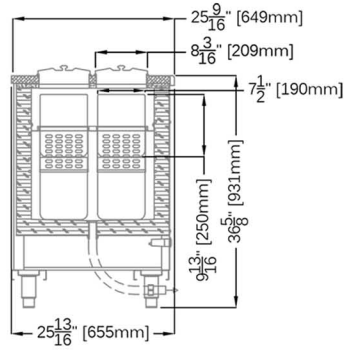
* Manufacturer reserves the right to change specifications without notice. Not responsible for error and omissions.



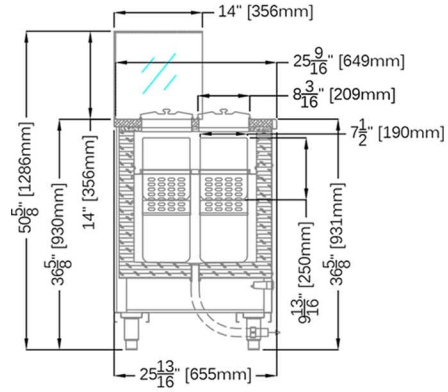
512 South Airport Blvd., South San Francisco, CA 94080
 Tel: 855.885.2400 | 650.342.2400 | Fax: 650.342.7400
 sales@oscartek.com | www.oscartek.com



STANDARD SECTION VIEW

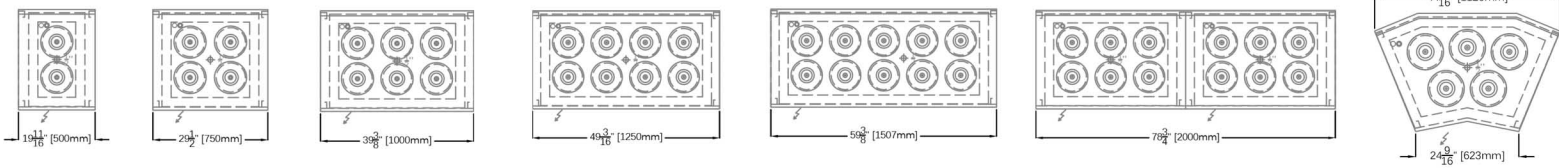


OPTIONAL: SNEEZE GUARD SECTION VIEW

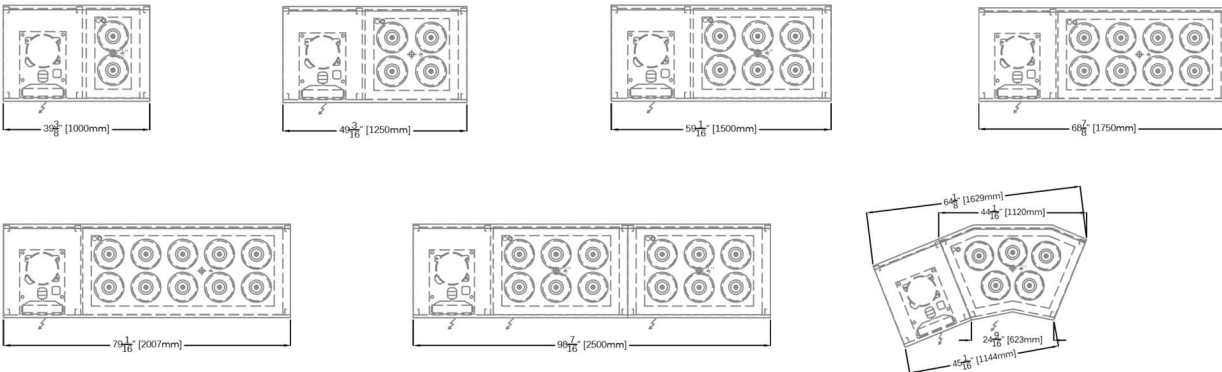


PLAN VIEWS

REMOTE:

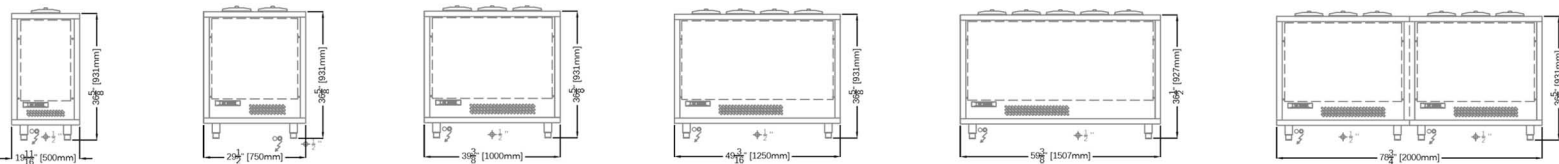


SELF CONTAINED:

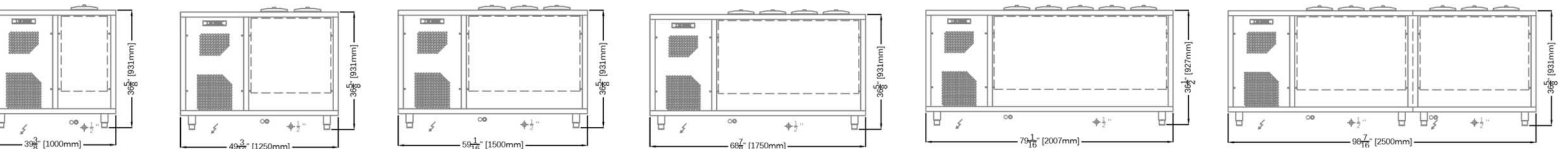


REAR ELEVATION (OPERATOR SIDE)

REMOTE:



SELF CONTAINED:



* Manufacturer reserves the right to change specifications without notice. Not responsible for error and omissions.



512 South Airport Blvd., South San Francisco, CA 94080
 Tel: 855.885.2400 | 650.342.2400 | Fax: 650.342.7400
 sales@oscartek.com | www.oscartek.com

