

**Perlick®** **24" DUAL ZONE BEVERAGE COLUMN**  
*Panel Ready Glass Door*



**eco friendly**  
 R600a Refrigerant



JOB	
AREA	
ITEM NO.	
MODEL NO.	



MODELS	DESCRIPTION
<b>CC24C-2-4LL</b>	24" Dual Zone Beverage Column, Glass Door, Overlay Ready, Hinge Left
<b>CC24C-2-4RL</b>	24" Dual Zone Beverage Column, Glass Door, Overlay Ready, Hinge Right

**KEY PRODUCT FEATURES AND BENEFITS**

- Adjustable stainless steel flat shelving ideal for high-capacity storage and display of bottled and canned beverages
- Wine zone features full extension, smooth glide, self-closing shelves protect wine from vibration
- Removable stainless steel shelf front allows for custom shelf fronts to match door panel material
- Full extension stainless steel floor bin allows easy access contents at bottom of cabinet
- Carbon air filtration removes odors from the cabinet
- PerliQ™ touch screen control panel disappears into the background until awoken for a modern look
- Easily adjust temperature, activate sabbath mode, adjust lighting, or access additional settings with intuitive PerliQ™ control
- Full stainless-steel construction provides a hygienic, easy to clean, and long-lasting cabinet for lifelong use
- Energy efficient and eco-friendly R600a refrigerant improves efficiency without sacrificing performance

**Quick Features:**

- Triple-pane, UV-resistant glass
- Roll on theatre style lighting slowly fades on to highlight collection. Choose between white or blue display lighting with five preset brightness levels to match any ambiance.
- High-capacity storage up to 43-750ml of wine and 172 bottled and canned beverages
- All cabinets come ready to accept a locking panel from factory with all components included to install lock on custom panels
- Cabinet sold with panel ready glass door. Ready to accept custom made or stainless-steel door panel (sold separately)
- 1 Year Full Parts & Labor + 5 Year Compressor Parts

Form No. Z3022  
 Rev 07.24.24



**24" DUAL ZONE BEVERAGE COLUMN**  
*Panel Ready Glass Door*

MODEL NUMBERS		CC24C-2-4LL	CC24C-2-4RL
MODEL DESCRIPTION		Dual Zone Beverage Column, Glass Door, Overlay Ready, Hinge Left	Dual Zone Beverage Column, Glass Door, Overlay Ready, Hinge Right
APPLIANCE EXTERIOR DIMENSIONS	Width - in. (mm)	23-3/4" (604)	23-3/4" (604)
	Depth - in. (mm)	24-1/16" (612)**	24-1/16" (612)**
	Height - in. (mm)	84" (2134)*	84" (2134)*
OPENING DIMENSIONS	Width - in. (mm)	24" (610)	24" (610)
	Depth - in. (mm)	25*** (635)	25*** (635)
	Height - in. (mm)	84" (2134)	84" (2134)
DEPTH WITH DOOR OPEN		49-3/4"	49-3/4"
INTERNAL VOLUME Net. Cu. Ft.		12.6 cu. ft.	12.6 cu. ft.
SHIPPING WEIGHT Lbs. (kg.)		501 lbs (227)	501 lbs (227)
SHIPPING DIMENSIONS	Width - in. (mm)	32" (813)	32" (813)
	Depth - in. (mm)	30" (762)	30" (762)
	Height - in. (mm)	92" (2337)	92" (2337)
ELECTRICAL SPECIFICATIONS	Electrical Supply	115 VAC/60 Hz/1 Ph	115 VAC/60 Hz/1 Ph
	Running Load Amps	3.2 amps	3.2 amps
	Electrical Service	15 amp dedicated circuit	15 amp dedicated circuit
	Cord Plug Type	NEMA 5-15 plug, 5' /3 prong grounding-type	NEMA 5-15 plug, 5' /3 prong grounding-type
MAX BOTTLE CAPACITY		172-12oz cans / 38-750ml bottles	172-12oz cans / 38-750ml bottles
REFRIGERANT		R600a (53g)	R600a (53g)
TEMPERATURE RANGES	Red Wine Mode	Factory Set to 60° (Range 40°-68°F)	Factory Set to 60° (Range 40°-68°F)
	White Wine Mode	Factory Set to 50° (Range 40°-68°F)	Factory Set to 50° (Range 40°-68°F)
	Cellar Mode	Factory Set to 55° (Range 40°-68°F)	Factory Set to 55° (Range 40°-68°F)
	Beverage Center (Lower Zone Only)	Factory Set to 40°F (Range 37°-45°F)	Factory Set to 40°F (Range 37°-45°F)

\*Leveling legs allow for up to 3/4" of additional height. Leveling appliance correctly will lead to less door adjustments required.

\*\*Depth does not include door panel, minimum 5/8" door panel is required, see installation instructions for full door panel details.

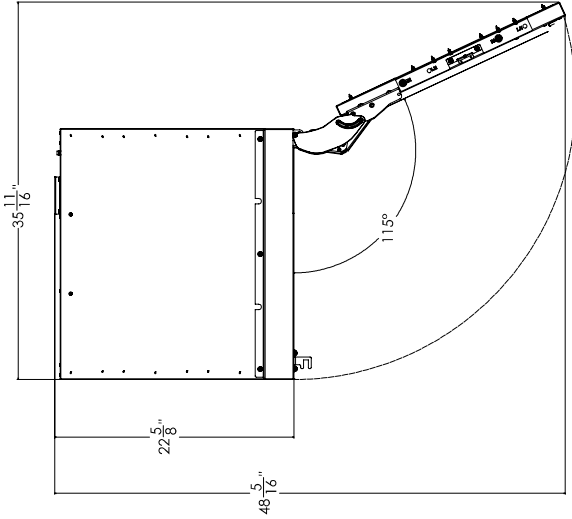
**ACCESSORIES**

- Dual installation kits available for both handle to handle, and handle to hinge
- Stainless steel overlay for glass door with four or six inch toe kick available with and without lock for field installation

Perlick accessories are available for purchase through an authorized Perlick dealer. For a full list of accessories and to find a dealer near you, visit [perlick.com](http://perlick.com).



**24" DUAL ZONE BEVERAGE COLUMN**  
*Panel Ready Glass Door*

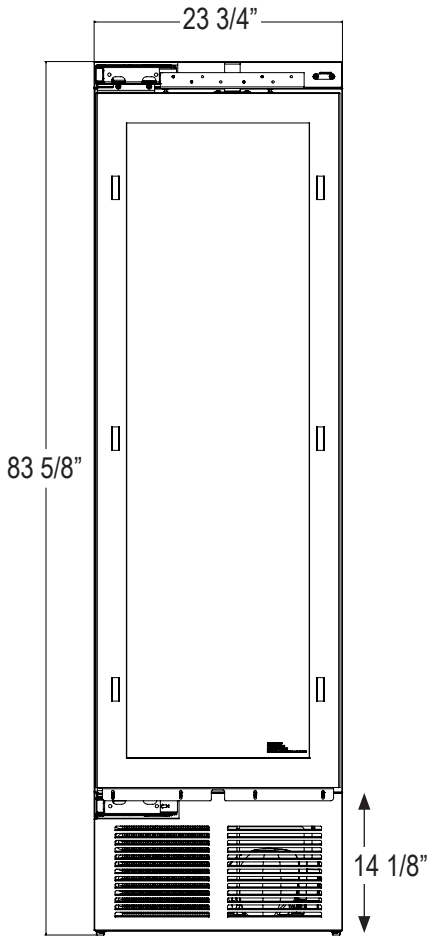


Max clearance required for opened door is 49-3/4" when opened to 90°\* (dimensions shown are without door overlay installed.)

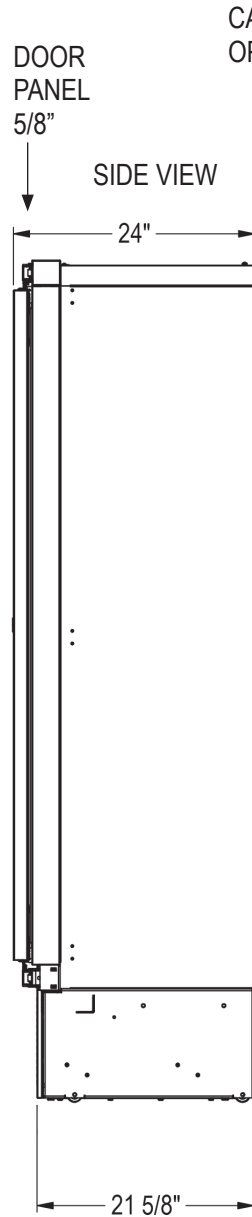
(Please note that door opens to 115°.)

\*90° achieved when included hinge stop pin is installed. Pin must be installed prior to full integration.

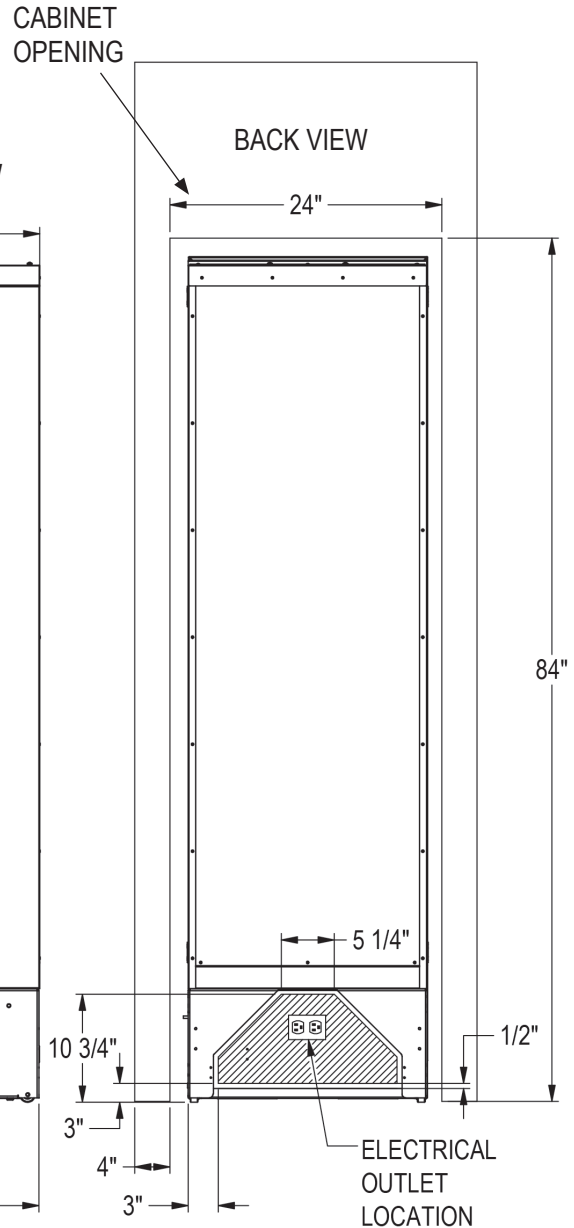
PLEASE NOTE: When installing column adjacent to wall, a 2" clearance is required if door opens towards the wall.



GLASS DOOR FRONT VIEW



SIDE VIEW



BACK VIEW

ELECTRICAL OUTLET LOCATION