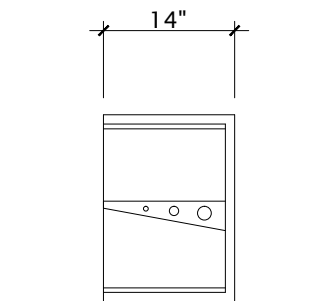
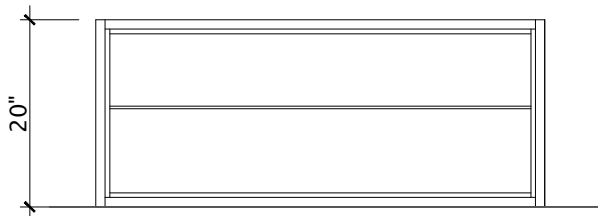
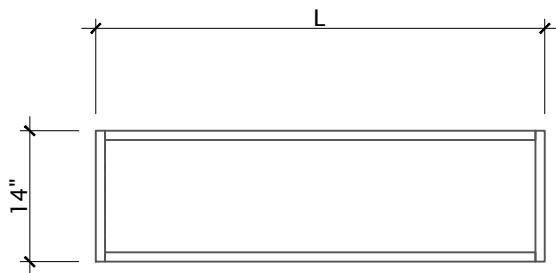


Item No: _____
 Model No: _____
 Qty: _____
 Project: _____



Extra support
in the middle

Sneeze Guards - Ultra Style

- All stainless steel frame with tempered glass panels for durability
- Ultra (SUSG) style has tempered glass top and unique mid shelf bracket to maximize light exposure
- Available in slanted design, call for details

Model No.	Model No. with lights	Size D" x L" x H"	Weight lbs.
SUSG24-2	SUSG24-2L	14 x 24 x 20	20
SUSG36-2	SUSG36-2L	14 x 36 x 20	30
SUSG48-2	SUSG48-2L	14 x 48 x 20	35
SUSG60-2	SUSG60-2L	14 x 60 x 20	40
SUSG72-2	SUSG72-2L	14 x 72 x 20	45
SUSG84-2	SUSG84-2L	14 x 84 x 20	50
SUSG96-2	SUSG96-2L	14 x 96 x 20	55

Sizes nominal, detailed specifications available upon request. Specifications subject to change without notice.



Corporate Head Office
 2780 Coventry Road,
 Oakville, Ontario, L6H 6R1
 Phone: 905-825-9665
 Fax: 905-825-0965
 info@tarrison.com
 www.tarrison.com

US Distribution Center
 150 Gratiot Blvd,
 Marysville, MI 48040
 www.tarrison.com

US Sales Office
 29 Craftsbury Crest,
 Essex Junction, VT. 05452
 Phone: 802-872-9292
 info@tarrison.com
 www.tarrison.com