

Dutchess

Bakers' Machinery Company, Inc.

A subsidiary of Superior-Lidgerwood-Mundy Corp.

*A United States of America Manufacturer
Since 1886*

Item No. _____

MODEL DUT/723

Bun & Bagel Slicer

Electrically Operated Slicer

KEY FEATURES:

- ~ Ideal for on-premise slicing of Bread Products
- ~ Cleanly slices bagels and buns with ease.
- ~ Compact, robust design for ease of operation
- ~ Safe, efficient alternative to slicing by hand
- ~ Separate ON/Off Buttons for easy startup/shut down
- ~ Ergonomic slice height feature allows for easy, accurate and repeatable adjustment
- ~ Blade cover includes access point to clean the underside of the blade without removing
- ~ Blade safety guard incorporates automatic power-down feature when removed
- ~ Gentle-touch exit door slows sliced product from chute protecting soft products from damage
- ~ Optional return chute saves space, creates a production system and is excellent in slice to order operation where pre-slicing for sandwiches is common.
- ~ Made in the USA

The above contained herein is correct to the best of our knowledge. The recommendations or suggestions are made without guarantee as to the results.

Above specifications are subject to change without notice.



NSF (National Sanitation Foundation Intl.)



UL (Underwriters Laboratories)

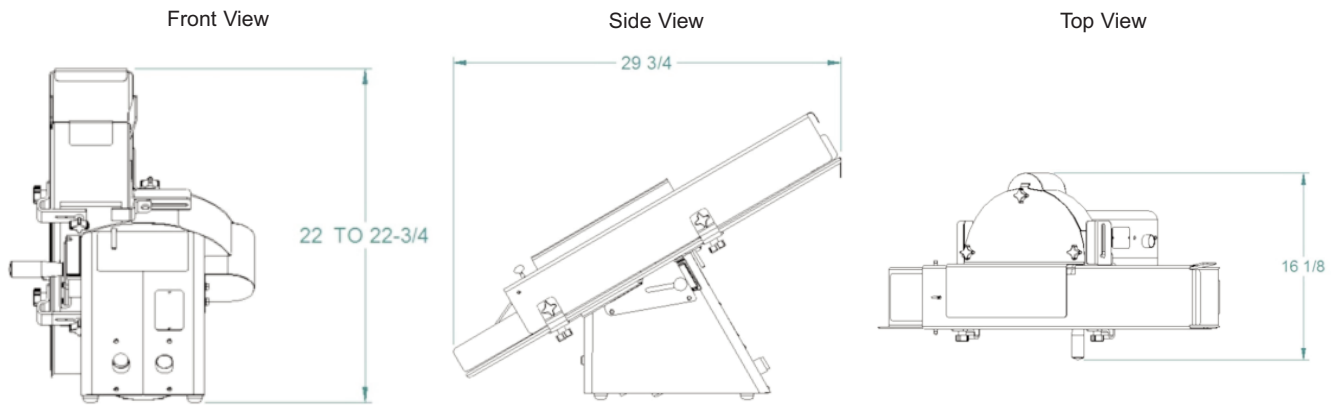
ASSOCIATE MEMBER
MAFSI
Manufacturers' Agents for
the Food Service Industry

Dutchess Bakers' Machinery Co.
302 Grand Avenue, PO Box 39
Superior, WI 54880

ISO 9001:2008 COMPLIANT

Toll Free: 800-777-4498
Phone: 715-394-4444
Fax: 715-394-2406
sales@dutchessbakers.com
www.dutchessbakers.com

MODEL DUT/723 Bun & Bagel Slicer



Capacity: Bun Height: 3" (76mm) Full Cut Width: 4-3/8" (111 mm)

From Bottom: 5/8" to 1-1/2" (16 mm - 124 mm)

Hinged cut product up to: 4-7/8" wide (124 mm)

Hinge Thickness: 1/2" (13 mm)

Machine Dimensions:

Width: 16 1/8" Length: 29 3/4" Height: 22 - 22-3/4"

Shipping Wt.: 120 lbs (54.5 kg.) Net Wt.: 105 lbs. (47.6 kg.)

Shipping Class: 200 FOB: 49534

Shipping Dimensions: 40" long x 48" wide x 31" high Carton on skid for LTL Shipment

Electrical requirements:

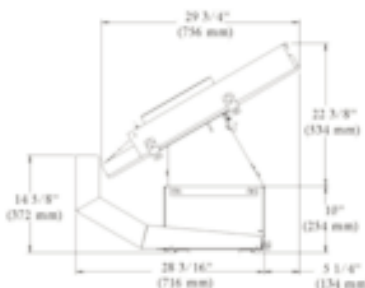
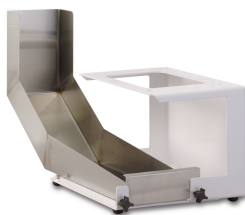
Standard: 115v / 60hz / 1-phase, 1/3hp Motor, 1725 rpm, 6.8 amps

Optional: 115 & 220v / 50hz / 1-phase, 1/3 hp Motor, 1425 rpm, 4.8 amps

Standard Finish: White Powder Coat Wear Resistant Finish (*non-food contact*)

Stainless Steel (*food contact - Chute, Blade etc.*)

Options: Extra Cutting Blades P/N DUT/7107-7053 - (10.75" Diameter)



Optional Wall Hugger Return Chute

Part number: DUT/723RC

- ~ White Powder Coat Finished Base
- ~ Stainless Steel Chute and Gate.

Dutchess Bakers' Machinery Company Inc., 302 Grand Avenue, Superior, WI 54880-0039

Toll Free: 800-777-4498 ~ Ph: 715-394-4444 ~ Fax: 715-394-2406

sales@dutchessbakers.com ~ www.dutchessbakers.com