

## TECHNICAL DATA

Weight: 556 lb  
 Base grill area: 44.48 x 13.8 in  
 Upper grill area per level using original upper grill: 48.8 x 9.45 in  
 Number of levels: 1 + 4  
 Exhaust rate: 1470 cfm  
 Average charcoal consumption: 30-40 lb

## STANDARD EQUIPMENT

Lower Grill - 1x  
 Upper Grill - 1x  
 Horizontal support bars - 2 pairs  
 Stainless steel skewers - 5x

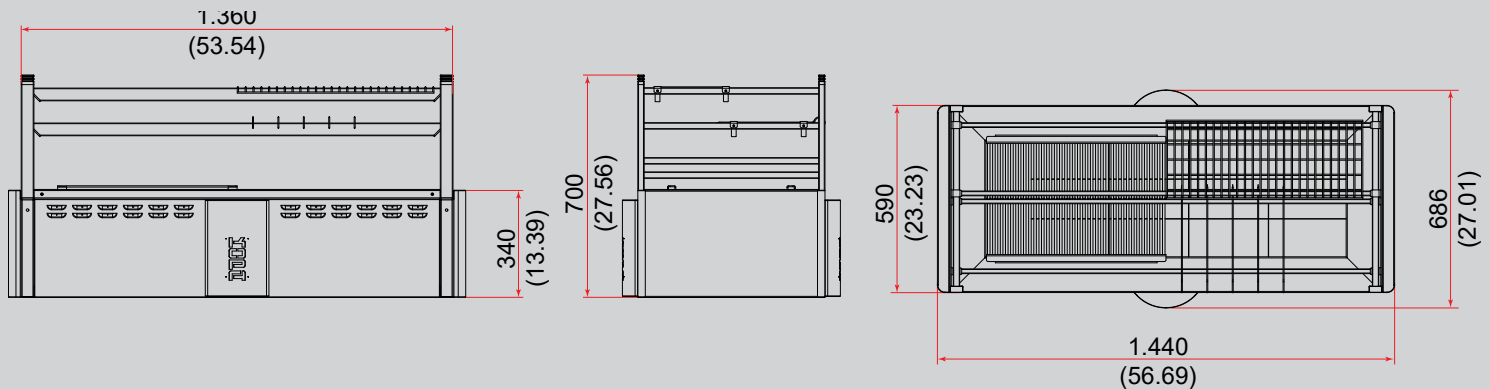
## OPTIONAL EQUIPMENT

Lower Grill 22.24 x 13.78 in  
 Flat Grill 11.00 x 13.78 in  
 Upper Grill 24.40 x 9.84 in  
 Grill Mesh 13.58 x 10.83 in  
 Stainless steel skewers  
 Stainless Steel Tables



Picture is indicative

## TECHNICAL DRAWINGS



mm  
(inch)

Available in these colors:



Red



Black

Specification and design are subject to change without notice