

# BLUELAA



## GRIDDLE BLGM36-24D

### PRODUCT DESCRIPTION



-  30,000 BTU per Burner with Ever-Ready Pilots.
-  30,000 BTU Burners per 12" section with standby pilots.
-  1" Stainless Steel Griddle Plate .
-  Adjustable, stainless steel legs standard.
-  Griddles set up as NG standard. LP conversion kits are included with each Griddle.
-  Full length seamless drip pan, easy to remove and clean.
-  High Quality Stainless Steel Construction

Waste Tray

Oil Tray

Knobs



MODEL#

DIMENSION

Width Depth Height

BLGM36-24D

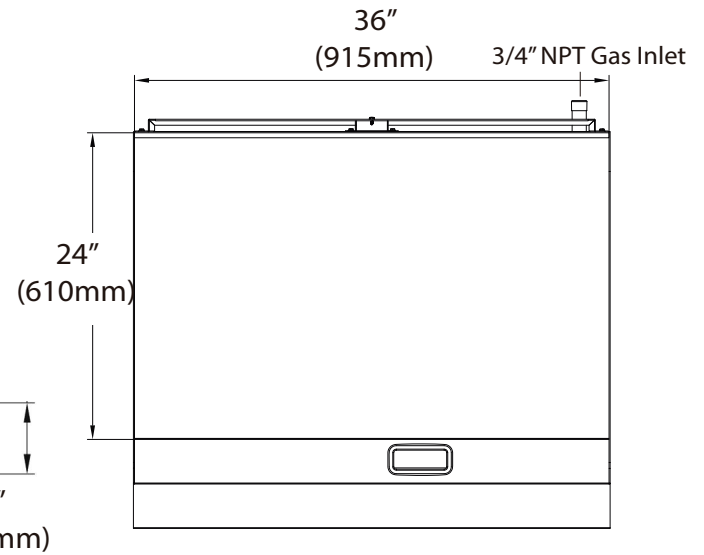
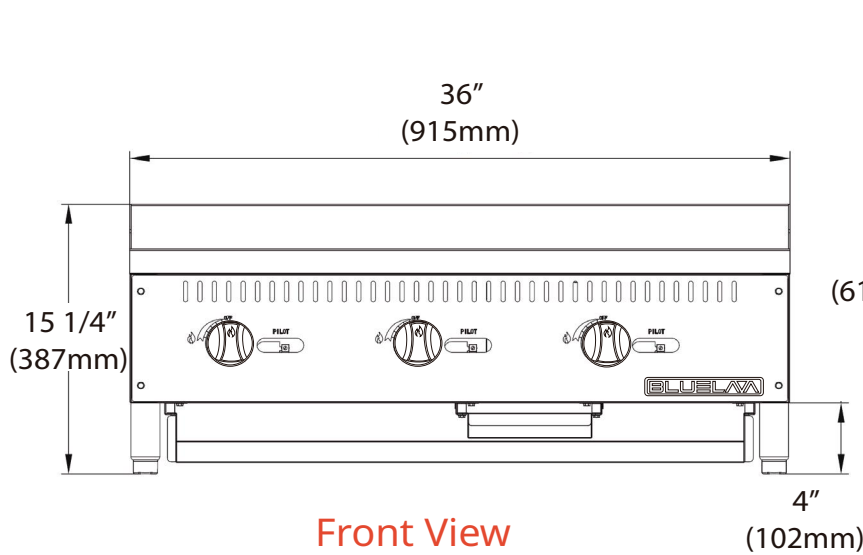
36 in 33 1/2 in 15 1/4 in

\* All measurement are presented in Inches

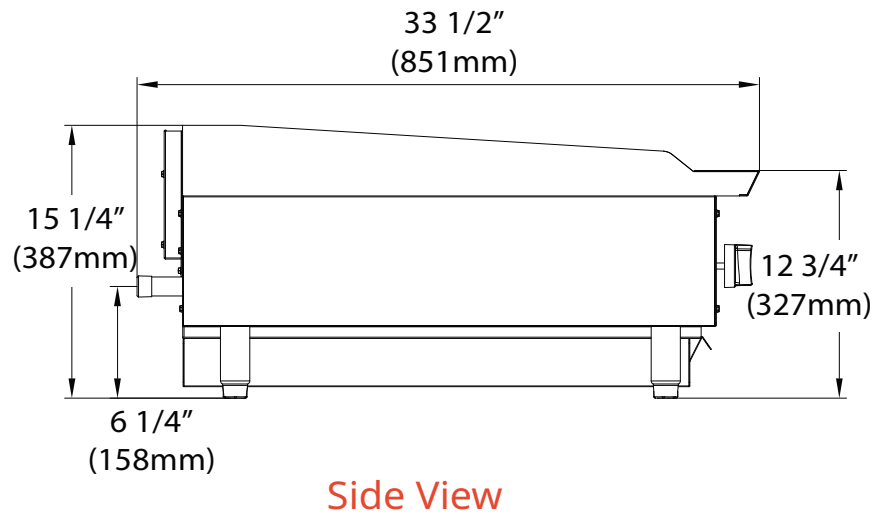


# DETAILS & SPECIFICATIONS

## GRIDDLE BLGM36-24D



BLGM36-24D	
GAS SOURCE	NG/Propane
WORK AREA	35.83" x 24.02"
BURNERS	3
BTU/H PER BURNER	30,000
TOTAL BTU	90,000
GAS PRESSURE	NG: 4 "WC Propane: 10 "WC
NOZZLE	NG: 37# Propane: 51#
CONTAINER FITMENT	130



Model	Packaging Dimensions (inches)			Net Weight (lbs)	Ship Weight (lbs)
	W	D	H		
BLGM36-24D	38 1/4"	36 1/4"	20 1/2"	342	373

**BLUELAVA**

orders@blueairfse.com



223 W. Rosecrans Ave., CA 90248  
9 W. Shelton Terrace #A, Hillside, NJ 07205  
7025 Amwiler industrial Drive, Suite A, Atlanta GA



T: 310-808-0102  
T: 908-688-0970  
T: 470-625-0182