

## Open Merchandisers 30E Series – 72"H – Endless Design - Produce



Model No.	Description	Length	Depth	Height	Voltage	Amps	HP/BTUs	Power Cord	Est. Ship Weight
<b>SC-OP30E-3-LED</b>	Self Contained	39"	30"	72"	115	11.7	1/2	5-15P	535
<b>SC-OP30E-4-LED</b>	Self Contained	51"	30"	72"	115	12.4	1/2	5-20P	615
<b>SC-OP30E-5-LED</b>	Self Contained	63"	30"	72"	115/208-230	11.3	3/4	L14-20P	738
<b>SC-OP30E-6-LED</b>	Self Contained	75"	30"	72"	115/208-230	11.3	3/4	L14-20P	860
<b>SC-OP30E-8-LED</b>	Self Contained	99"	30"	72"	115/208-230	14.3	1	L14-20P	1085
<b>R-OP30E-3-LED</b>	Remote	39"	30"	72"	115	1.0	3000	NO	482
<b>R-OP30E-4-LED</b>	Remote	51"	30"	72"	115	1.7	4000	NO	554
<b>R-OP30E-5-LED</b>	Remote	63"	30"	72"	115	2.0	5000	NO	665
<b>R-OP30E-6-LED</b>	Remote	75"	30"	72"	115	2.0	6000	NO	774
<b>R-OP30E-8-LED</b>	Remote	99"	30"	72"	115	3.4	8000	NO	977
<b>R-OP30E-10-LED</b>	Remote	123"	30"	72"	115	7.0	10000	NO	1328
<b>R-OP30E-12-LED</b>	Remote	147"	30"	72"	115	8.0	12000	NO	1548

MODEL NUMBER PREFIX - SC = Self Contained R = Remote  
 MODEL NUMBER SUFFIX - W = White B = Black S = Stainless Steel LED = LED lighting  
 • Cases are designed to operate at 75 degrees Fahrenheit and 55% relative humidity  
 • Cases are equipped with drains; check your local building codes for connection requirements.  
 • Specification subject to change without notice  
 IF COLORS ARE MIXED AN ADDITIONAL CHARGE WILL APPLY



## Open Merchandisers 30E Series – 72"H – Endless Design - Produce

### Standard Specifications and Optional Features

#### CONSTRUCTION

- UL Classified to ANSI/NSF 7
- Foamed in place CFC free foam
- Heavy gauge steel super structure
- Multi deck
- Endless design allows for continuous line up

#### INTERIOR

- White, black, or stainless steel end panels
- Removable white, black, or stainless steel floor pans
- White, black, or stainless steel perforated rear wall (for even air distribution)
- Full length lighting at top of unit
- 1 levels of lit shelving with product stop
- Full length mirror to enhance product display
- 2 levels of product display
- Stylish tag molding on each shelf

#### EXTERIOR

- White, black, or stainless steel ends and front
- White, black, or stainless steel color band
- Removeable front grill allows for cleaning and servicing
- 1" bumper
- Choice of end panels

#### FINISHES

- White, black, or stainless steel end panels
- White, black, or stainless steel front rail
- White, black, or stainless steel front color band
- White, black, or stainless steel end trim
- Laminate, and custom paints available
- Coated galvanized rear

#### LIGHTING

- LED lighting
- 1 row at inside top of unit
- 1 rows of lighted shelving

#### ELECTRICAL REQUIREMENTS

- Unit comes with cord and plug
- UL/CUL listed
- See Tech page for details on voltage

#### REFRIGERATION

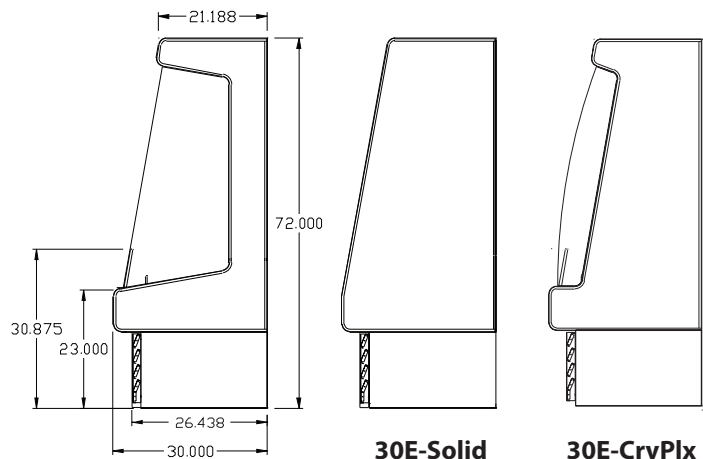
- Self Contained - expansion valve system
- Remote - R448A expansion valve system
- Low velocity fans located below deck area (to insure even flow of air)
- Electronic Control System with automatic air defrost to Maintain Balanced Temperatures
- New high efficiency air screen technology
- Self contained system
- Copeland hermetic unit
- Remotes available

#### OPTIONAL FEATURES

- Night covers
- Security cover
- Peg bars
- Insulated divider for line ups
- Plexiglas divider for line ups
- Colored bumper
- Stainless steel, laminated or paint
- Product stops on shelving
- 3 Different end panel choices
- Digital thermometer

#### Important Note:

*All refrigerated cases are designed to operate in an environment of 75 degrees and 55% relative humidity. Product must be cooled before being displayed within the case.  
**DRAIN IS REQUIRED***



## Open Merchandisers 30E Series – 72"H – Endless Design - Produce

### Technical Data

Model No.	SC R	SC-OP30E-3-LED R-OP30E-3-LED	SC-OP30E-4-LED R-OP30E-4-LED	SC-OP30E-5-LED R-OP30E-5-LED	SC-OP30E-6-LED R-OP30E-6-LED	SC-OP30E-8-LED R-OP30E-8-LED	R-OP30E-10-LED	R-OP30E-12-LED
Length with (2) ends		39"	51"	63"	75"	99"	123"	147"
Length without ends		36"	48"	60"	72"	96"	96"	96"
Height with ends		72"	72"	72"	72"	72"	72"	72"
Height without ends		71.5"	71.5"	71.5"	71.5"	71.5"	71.5"	71.5"
Depth with ends		30"	30"	30"	30"	30"	31.25"	31.25"
Depth without ends		29"	29"	29"	29"	29"	30.25	30.25
Endless design (Dimensions are +/- 1/4")		YES	YES	YES	YES	YES	YES	YES
Operating temperature		38°F to 41°F	38°F to 41°F	38°F to 41°F	38°F to 41°F	38°F to 41°F	38°F to 41°F	38°F to 41°F
Refrigerant (expansion valve)	SC	-	-	-	-	-		
Refrigerant (expansion valve)	R	R448A	R448A	R448A	R448A	R448A	R448A	R448A
Compressor size HP	SC	1/2	1/2	3/4	3/4	1		
Defrost per day (24 hours)	Air Defrost	6 per day	6 per day	6 per day	6 per day	6 per day	6 per day	6 per day
BTU's at +20°F Evap. Temp.	R	3000	4000	5000	6000	8000	10000	12000
Voltage	SC	115	115	115/208-230	115/208-230	115/208-230		
Amperage	SC	11.7	12.4	11.3	11.3	12.5		
Remote Voltage	R	115	115	115	115	115	115	115
Amperage, lights only	R	1.0	1.7	2.0	2.0	3.4	7.0	8.0
Cord and plug	SC	5-15P	5-20P	L14-20P	L14-20P	L14-20P		
	R	NO	NO	NO	NO	NO	NO	NO
Exterior color		W,B,S	W,B,S	W,B,S	W,B,S	W,B,S	W,B,S	W,B,S
Interior color		W,B,S	W,B,S	W,B,S	W,B,S	W,B,S	W,B,S	W,B,S
# of rows / shelves		1/1	1/1	1/1	1/2	1/2	1/2	1/2
Shelf size depth		(1) 14.50"	(1) 14.50"	(1) 14.50"	(1) 14.50"	(1) 14.50"	(1) 14.50"	(1) 14.50"
Shipping Info								
Height		76"	76"	76"	76"	76"	76"	76"
Depth		44"	44"	44"	44"	44"	44"	44"
Length		49"	61"	73"	87"	109"	133"	157"
Gross weight SC/R		535/482	615/554	738/665	860/774	1085/977	Remote 1328	Remote 1548
Cubic feet		95	118	141	168	210	257	303

(ALL WHITE OR ALL BLACK, NO EXTRA CHARGE—IF COLORS ARE MIXED AN ADDITIONAL CHARGE WILL APPLY)

#### Prefix

SC = Self Contained  
R = Remote

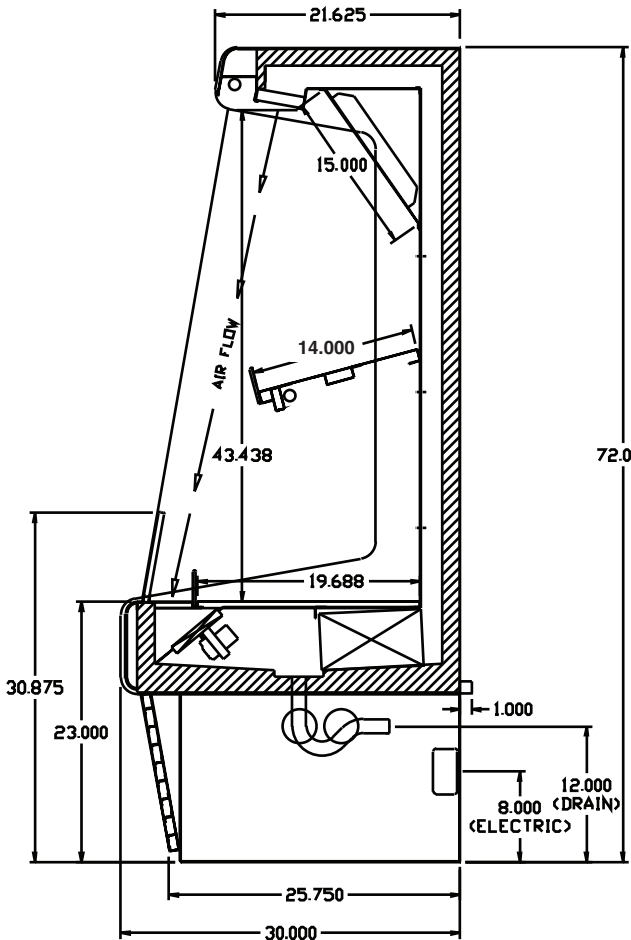
#### Suffix

B = Black  
W = White  
S = Stainless Steel  
LED = LED lighting

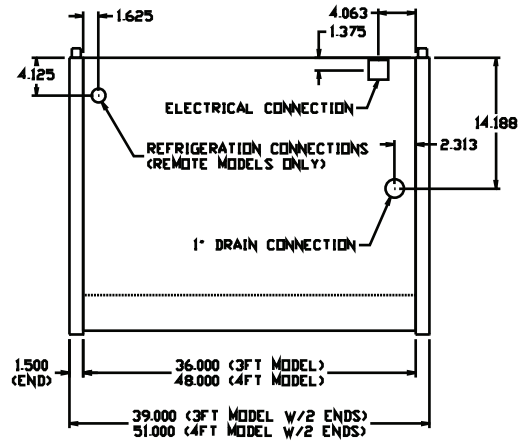
- Cases are designed to operate at 75 degrees Fahrenheit and 55% relative humidity
- Cases are equipped with drains; check your local building codes for connection requirements.
- Specification subject to change without notice

## Open Merchandisers 30E Series – 72"H – Endless Design - Produce

### Technical Data • Cross Section • Plan View



**Cross Section**



**Plan Views**

