

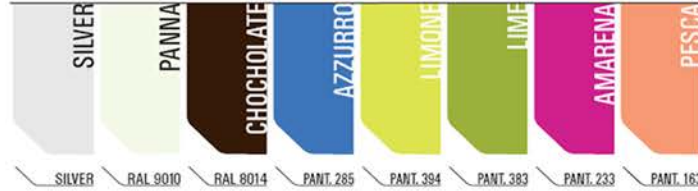
## STANDARD FEATURES

- LED lighting system
- Glass drawers
- Lift up top glass
- Extra clear glass upper structure
- Stainless steel lower interior foam tub
- Galvanized chassis structure
- All tempered glass
- Cases ship standard unfinished



## OPTIONS

- Cold storage
- Customized color of display plate (back painted glass)
- Remote condensing unit
- RAL color/laminate front and side panels
- Casters



GEM DELI/PASTRY							
TECHNICAL FEATURES		MODELS					
		GEM DP900	GEM DP1300	GEM DP1500	GEM DP1700	GEM DP2000	GEM DPA90
External Dimensions	Inches	35 3/4" - 32" - 43 1/2"	51 1/2" - 32" - 43 1/2"	59" - 32" - 43 1/2"	67 1/4" - 32" - 43 1/2"	79" - 32" - 43 1/2"	51 1/4" - 32 1/2" - 45 3/4"
(L-D-H) Inches-MM	MM	906 - 815 - 1106	1306 - 815 - 1106	1500 - 815 - 1106	1706 - 815 - 1106	2000 - 815 - 1106	1301 - 825 - 1161
Crated Dimensions	Inches	43 1/3" - 39 3/8" - 53 1/8"	59" - 39 3/8" - 53 1/8"	67" - 39 3/8" - 53 1/8"	74 3/4" - 39 3/8" - 53 1/8"	85" - 39 3/8" - 53 1/8"	57" - 39 3/8" - 55"
(L-D-H) Inches-MM	MM	1100 - 1000 - 1350	1500 - 1000 - 1350	1700 - 1000 - 1350	1900 - 1000 - 1350	2159 - 1000 - 1350	1447 - 1000 - 1350
Refrigeration	Type	Ventilated	Ventilated	Ventilated	Ventilated	Ventilated	Ventilated
Refrigeration Display Area	Type	Deck	Deck	Deck	Deck	Deck	Deck
Operating Temperature	°C / °F	+4°C / 39.2°F	+4°C / 39.2°F	+4°C / 39.2°F	+4°C / 39.2°F	+4°C / 39.2°F	40°F
Compressor	Nr./Type	1 / Hermetic	1 / Hermetic	1 / Hermetic	1 / Hermetic	1 / Hermetic	1 / Hermetic
BTU's @ +14°F Evap Temperature	BTU's	1610 BTU'S	2380 BTU'S	3150 BTU'S	3350 BTU'S	3980 BTU'S	3100BTU'S
Electric Supply	(V/Ph/Hz)	230/1/50 (EU)	230/1/50 (EU)	230/1/50 (EU)	230/1/50 (EU)	230/1/50 (EU)	230/1/50 (UE)
		120/1/60 (USA)	120/1/60 (USA)	120/1/60 (USA)	120/1/60 (USA)	120/1/60 (USA)	120/1/60 (USA)
Power Consumption	(W/A)	1100W / 5.8A	1250W / 6.5A	1300W / 7A	1300W / 7A	1560W / 9A	1300W / 14A
Defrost	Mode/Type	Air	Air	Air	Air	Air	Air
Climatic Class	N°/°C/F°/H.R.	3/25/77/60%	3/25/77/60%	3/25/77/60%	3/25/77/60%	3/25/77/60%	3/25/77/60%
Refrigerant Gas	Type	R404A	R404A	R404A	R404A	R404A	R404A
Net Weights	Kg/Lb	99Kgs / 218Lbs	140Kgs / 308Lbs	200Kgs / 440Lbs	260Kgs / 573Lbs	375Kgs / 773Lbs	260Kgs / 572Lbs
Crated Weights	Kg/Lb	157Kgs / 346Lbs	218Kgs / 480Lbs	290Kgs / 639Lbs	360Kgs / 793Lbs	520Kgs / 993Lbs	310Kgs / 674Lbs

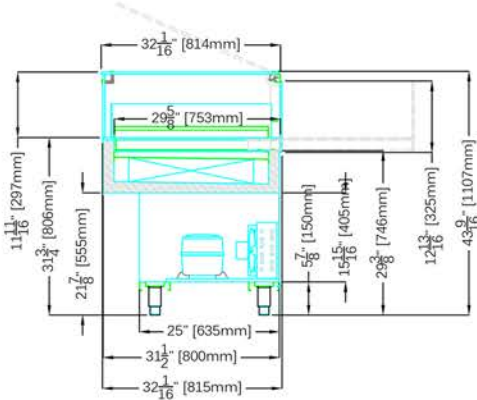
\* Dimensions are without side panels



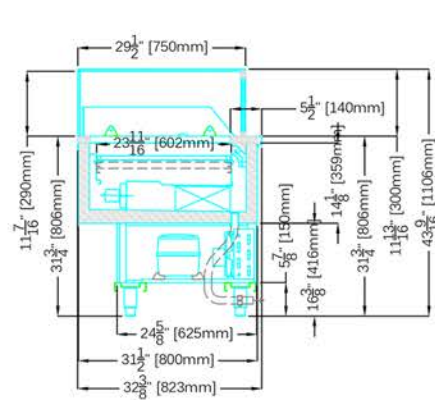
361-367 Beach Road, Burlingame, CA 94010  
 Tel: 855.885.2400 | 650.342.2400 | Fax: 650.342.7400  
 sales@oscartek.com | www.oscartek.com



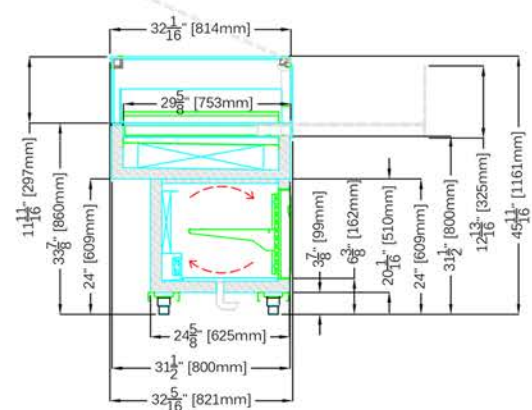
**GEM WITH DRAWER SECTION VIEW**



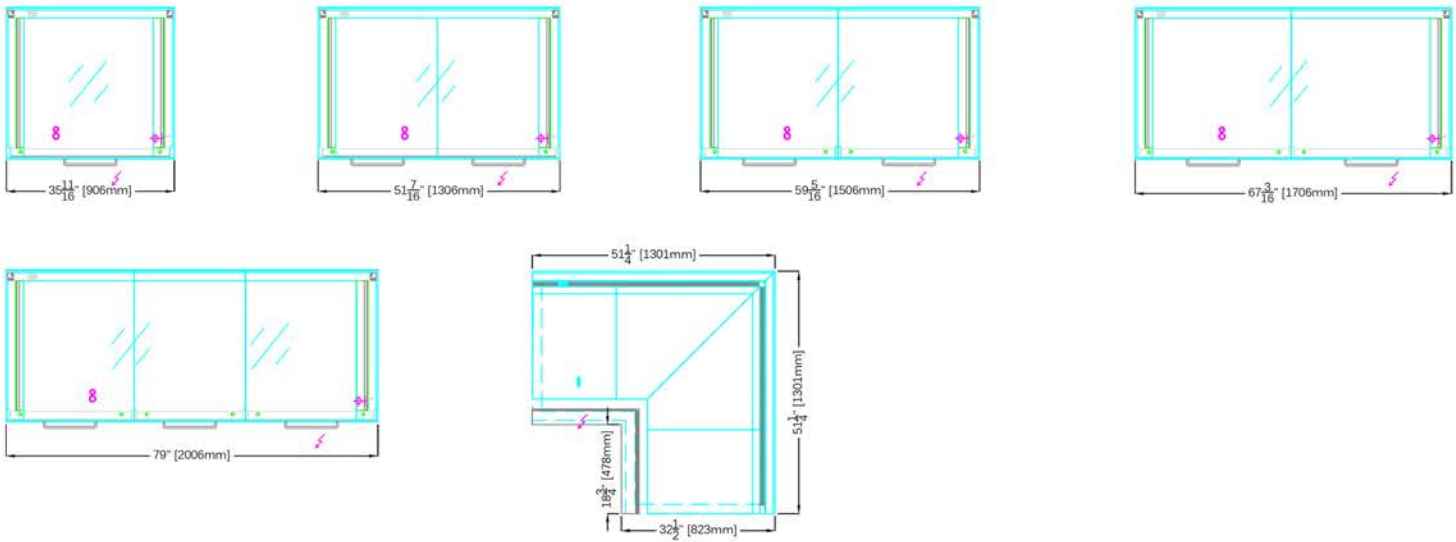
**GEM A90 SECTION VIEW**



**OPTIONAL: GEM COLD STORAGE SECTION VIEW**



**PLAN VIEWS: GEM DP900, GEM DP1300, GEM DP1500, GEM DP1700, GEM DP2000, GEM DPA90**



**REAR ELEVATIONS: GEM DP900, GEM DP1300, GEM DP1500, GEM DP1700, GEM DP2000, GEM DPA90**

