

PORTABLE BAR

Compliant with
NSF/ANSI Standard 2



DXPPB560IBTBK

Item Numbers

DXPPB524IBTBK	DXPPB560IBWAN
DXPPB524IBWCC	DXPPB560IBWRM
DXPPB524IBWMW	DXPPB560IBWBC
DXPPB524IBWAN	DXPPB560IBFFW
DXPPB524IBWRM	DXPPB5TBKES
DXPPB524IBWBC	DXPPB5TBKMS
DXPPB524IBFFW	DXPCUVWROC
DXPPB560IBTBK	DXPCUVWTIKI
DXPPB560IBWCC	DXPCUVW
DXPPB560IBWMW	

The Dinex Portable Bar is great for any event. This flexible and function bar lends itself anywhere from poolside to catered parties to the banquet hall. When not in use it store on end in only two square feet of space.

Standard Features

- Heavy-gauge, black vinyl clad aluminum exterior surfaces
- NSF Listed stainless steel ice bin has two drains with petcock valves
- Chest version has latch down lid and holds approximately 95 lbs. of ice
- Full length version has an ice bin that runs the full length of the bar
- Perimeter trim bumper
- Lockable cabinet latches

Dimensions

DXPP524IBT – 20.25"D x 62.5L x 47"H
DXPPB524IBW – 20.25"D x 62.5L x 47"H
DXPPB560IBT – 20.25"D x 62.5L x 47"H
DXPPB560IBW – 20.25"D x 62.5L x 47"H
DXPPB5TBKES – 20.25"D x 62.5L x 42.88"H
DXPPB5TBKMS – 20.25"D x 62.5L x 48.88"H
DXPCUVWROC – 20.25"D x 62.5L x 47"H
DXPCUVWTIK – 20.25"D x 62.5L x 47"H
DXPCUVW – 20.25"D x 62.5L x 47"H

Standard Colors

- Carmine Cherry (CC)
- Manhattan Walnut (MW)
- American Natural (AN)
- Russian Maple (RM)
- Boston Cherry (BC)
- Frost White (FW)
- Black (BK)
- Custom colors available
- Optional graphics packages available

Casters

- Heavy duty; 2 stationary, 2 locking

Warranty

One year parts and labor.

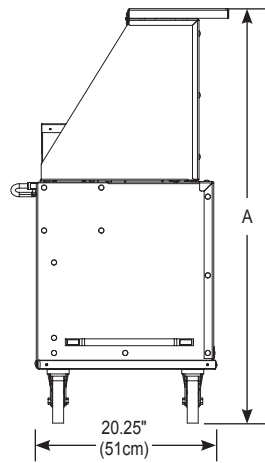
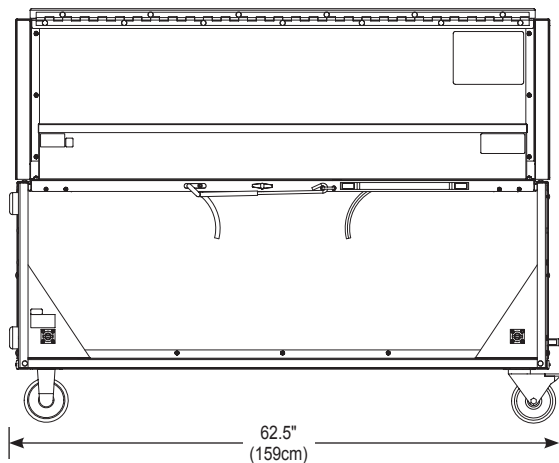
*We do not accept returns on any Dinex equipment or Dinex custom products.
Please contact your local Dinex rep to ensure order accuracy prior to ordering.*

DINEX®

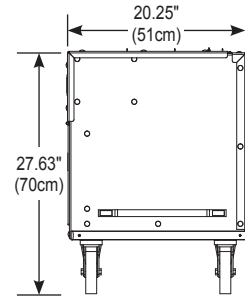
4711 E. Hefner Road
Oklahoma City, OK 73131
800.654.8210 | 405.475.5600
www.dinex.com

Rev 04/2020

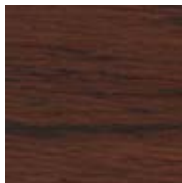
PORTABLE BAR



Closed for Stowing



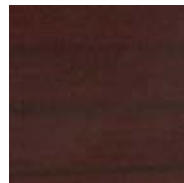
American Natural (AN)



Boston Cherry (BC)



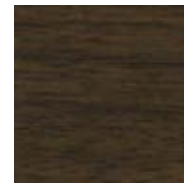
Black (BK)



Carmine Cherry (CC)



Frost White (FW)



Manhattan Walnut (MW)



Russian Maple (RM)

Items and Dimensions

ITEM NUMBER	DESCRIPTION	COLOR/CODE	LENGTH	DEPTH	HEIGHT (A)*	SHIP WEIGHT	SHIP CUBE
DXPPB524IBT	Ice Bin, Chest Style	BK	62.5" (159cm)	20.25" (51cm)	47" (119cm)	140 lbs (64kg)	20.53
DXPPB524IBW	Ice Bin, Chest Style	AN, BC, CC, FW, MW, RM	62.5" (159cm)	20.25" (51cm)	47" (119cm)	140 lbs (64kg)	20.53
DXPPB560IBT	Ice Bin, Full Length	BK	62.5" (159cm)	20.25" (51cm)	47" (119cm)	140 lbs (64kg)	20.53
DXPPB560IBW	Ice Bin, Full Length	AN, BC, CC, FW, MW, RM	62.5" (159cm)	20.25" (51cm)	47" (119cm)	140 lbs (64kg)	20.53
DXPPB5TBKES	Breakfast Bar, Elementary School	BK	62.5" (159cm)	20.25" (51cm)	42.88" (109cm)	140 lbs (64kg)	18.22
DXPPB5TBKMS	Breakfast Bar, Middle School	BK	62.5" (159cm)	20.25" (51cm)	48.88" (124cm)	140 lbs (64kg)	18.22
DXPCUVWROC	Vinyl Wrap	Rocket Design	62.5" (159cm)	20.25" (51cm)	47" (119cm)	140 lbs (64kg)	20.53
DXPCUVWTIKI	Vinyl Wrap	Tiki Bar Design	62.5" (159cm)	20.25" (51cm)	47" (119cm)	140 lbs (64kg)	20.53
DXPCUVW	Custom Vinyl Wrap	Custom	62.5" (159cm)	20.25" (51cm)	47" (119cm)	140 lbs (64kg)	20.53

* Height includes casters

Please confirm that you have the most current specification sheet by visiting www.dinex.com.

It is Dinex's policy to offer equipment which is design certified by companies that have been accredited at the federal level by the Occupational Safety and Health Agency (OSHA) and ANSI as a national recognized testing laboratory. These companies include CSA International, Underwriters Laboratories, Edison Testing Laboratories and National Sanitation Foundation. However, a continuing program of product improvement makes it necessary to submit new models to the agencies as they are developed. Consequently, all models may not bear the appropriate labels at all times.

Dinex reserves the right to change specifications and product design without notice. Such revisions do not entitle the buyer to corresponding changes, improvements, additions or replacements for previously purchased equipment.



DINEX®

4711 E. Hefner Road
Oklahoma City, OK 73131
800.654.8210 | 405.475.5600
www.dinex.com