

*Blueair* by  
**BLUENIX**

## MODEL BACB36-HC CHEF BASE



### Stainless steel cabinet construction

Stainless steel interior and exterior (galvanized steel back & bottom).



### Temperature range between 33°F ~ 39°F

Air guard on rear wall ensures proper air circulation and cooling.



### Hydrocarbon refrigerants (R-290)

Increases energy HFC refrigerants. It is safer for the environment and does not cause ozone depletion.



### Exterior Dimensions (inches/mm)

L	D	H
36"	31"	25 1/2"
914 mm	787.5 mm	648 mm

### Weight (lbs/kg)

Net Weight	Ship Weight
170 lbs	181 lbs
77 kg	82 kg

## Cabinet construction

- High density foamed in place polyurethane insulation – Environmentally safe
- Designed to accommodate countertop cooking equipment
- Unit accommodates 4" and 6" deep food pans. Pans not included
- Heavy duty top panel
- Four (4) 4" diameter swivel casters with front brakes standard.

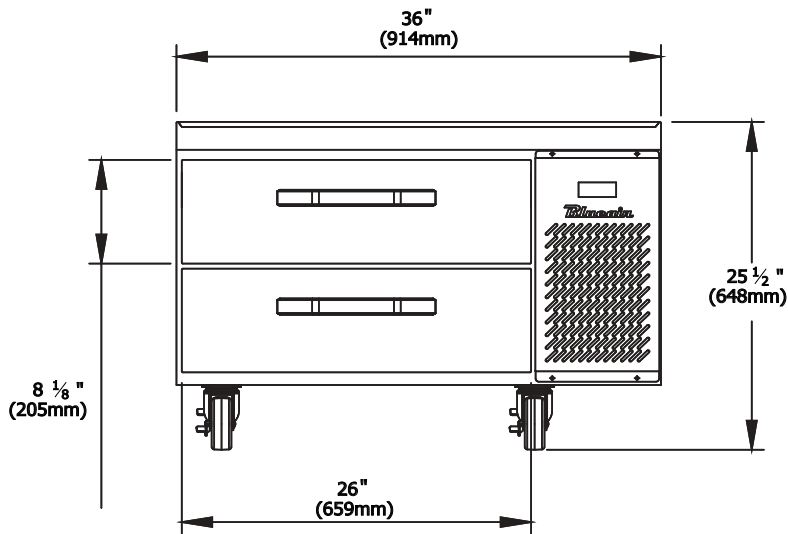
## Refrigeration

- Self-contained system, rear mounted compressor.
- Electrodeposition coated evaporator increases performance by maintaining the heat transfer rates over the life of the evaporator and reducing potential corrosion.
- Innovative hot gas frame heating system reduces condensation and increases energy.

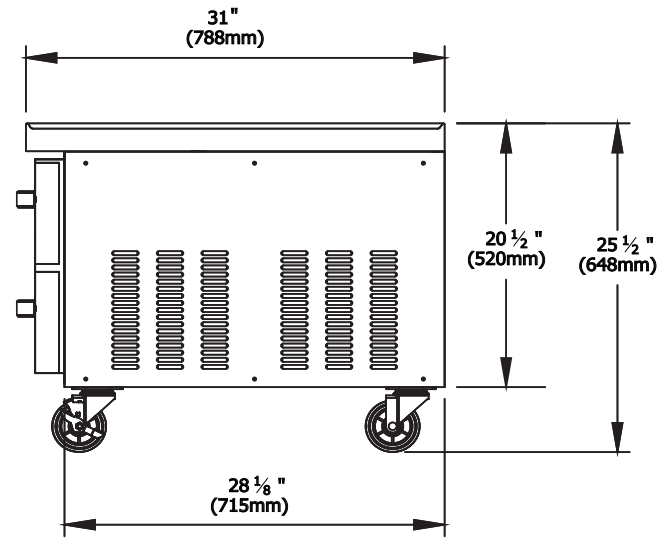
## Drawers

- Supported on stainless steel telescoping drawer slides with stainless steel roller bearing wheels
- Drawer slides withstand maximum of 200 lbs. per drawer without deflection
- Upper and lower drawers accommodate 4" deep 12" x 20" pans
- Heavy-duty pan adapter bars supplied for fullsize pans (Pans not included)
- Durable gasket with easy replacement
- Lifetime guaranteed heavy duty all metal door handles. (Ni-Cr Plated)
- 6" Legs available

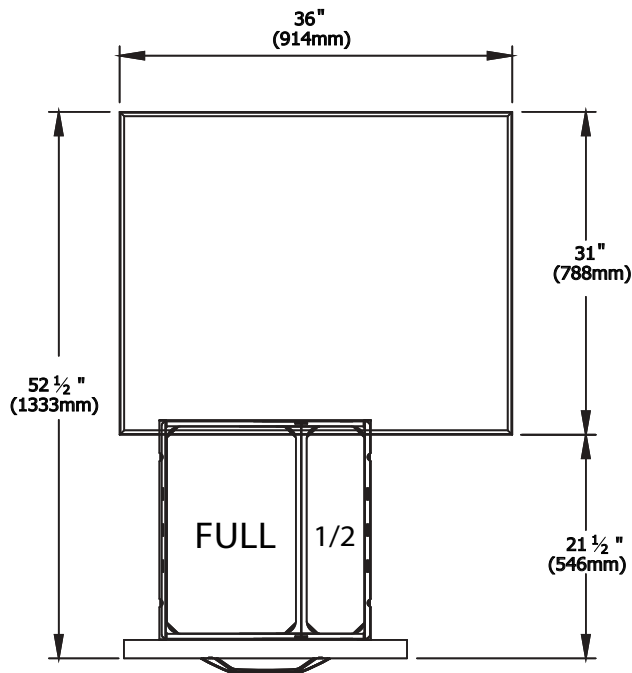
Front view






Side view



Top view



Drawers	2
Capacity Cu.Ft.	5.7
Refrigerant	R-290
Temperature Range	33°F ~ 39°F
Easy Maintenance	Sliding Condensing Unit
Connection	9.8 ft long (3m) flexible three wire cord with modeled plug
HP	1/4
Voltage	115V/60Hz
Amps	3.0
NEMA Config.	NEMA 5-15



- This product may expose you to chemicals including Diisononyl Phthalate(DINP), which is known to the State of California to cause cancer. For more information go to [www.P65Warnings.ca.gov](http://www.P65Warnings.ca.gov).  
 - Ce produit peut vous exposer à des agents chimiques incluant le Diisononyl Phthalate(DINP), reconnu par l'Etat de Californie comme causant le cancer. Pour de plus amples renseignements, consulter le site [www.P65Warnings.ca.gov](http://www.P65Warnings.ca.gov).

**Blueair by**  
**BLUENIX**

Blue Air has right to change specifications without further notice.

 [blueairfse.com](http://blueairfse.com)

 [orders@blueairfse.com](mailto:orders@blueairfse.com)



223 W. Rosecrans Ave., CA 90248  
T: 310-808-0102

9 W. Shelton Terrace #A, Hillside, NJ 07205  
T: 470-625-0182

7025 Amwiler industrial Drive, Suite A, Atlanta GA  
T: 908-688-0970