



# MORNINGSIDE

## LAMINATE SEAT & PANELS WITH VINYL BACK

WOOD/LAMINATE BOOTHS



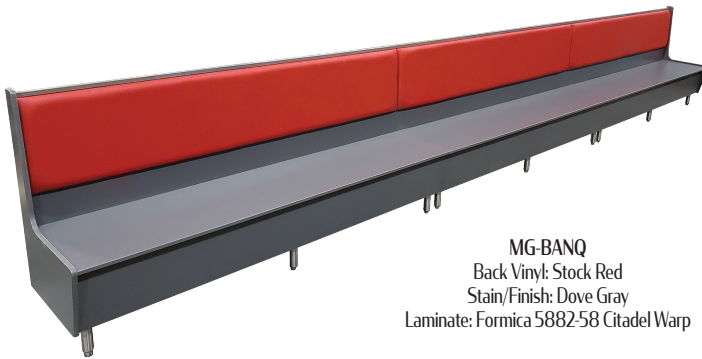
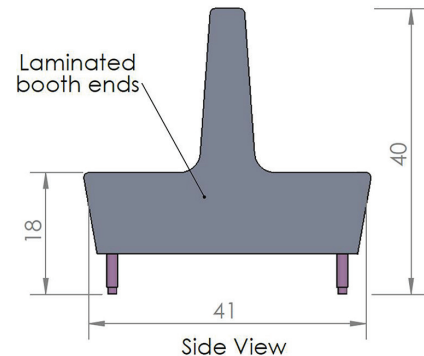
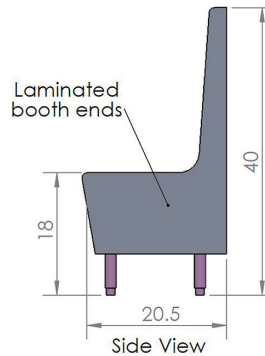
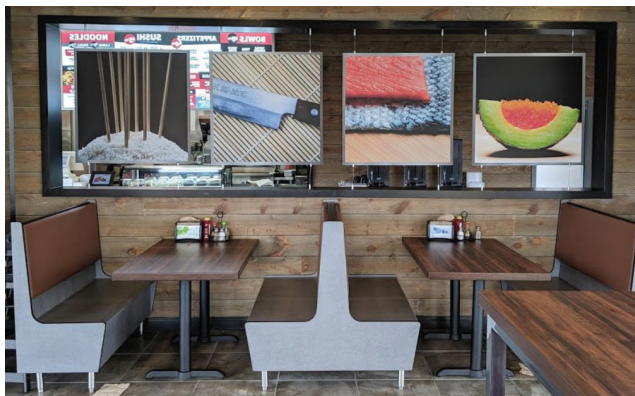
**MG-4840-SGL-VSUB**  
 Seat & Back Vinyl: Espresso  
 Stain/Finish: Clear Coat  
 Laminate: Formica 756-58 Natural Maple

- Laminate seat with matching 3mm PVC edge
- Booth ends constructed of heavy-duty Europly engineered wood covered in choice of laminate & features stained edges
- 6" stainless steel legs for open base look
- Back finished with matching laminate
- Stained wood top cap



**MG-4840-DBL-LSUB**  
 Back Vinyl: Chestnut  
 Stain/Finish: Dark Walnut  
 Laminate: Wilsonart 4795-60 Windswept Pewter

List pricing shown for Tier 1 Pinnacle and standard Formica -58 & -43 finish laminates. Wilsonart, Nevamar, Pionite, Tier 2+ Pinnacle and Formica laminates available (upcharge).



**MG-BANQ**  
 Back Vinyl: Stock Red  
 Stain/Finish: Dove Gray  
 Laminate: Formica 5882-58 Citadel Warp



**MG-CURVED**  
 Back Vinyl: Arc/Com AC-60748 #9 Tempo Avocado  
 Stain/Finish: Dark Walnut  
 Laminate: Wilsonart 7997-38 Ebony Recon

	Single Booths - 40" high								Double Booths - 40" high							
	24"	30"	44"	48"	60"	72"	84"	96"	24"	30"	44"	48"	60"	72"	84"	96"
<b>Laminate Seat - Upholstered Back (-LSUB)</b>																
Black, Wine, Red, Espresso, Navy, Chestnut, Gray & Hunter Green Vinyl	\$2,092.69	\$2,196.46	\$2,388.74	\$2,425.51	\$2,603.14	\$2,765.82	\$2,943.45	\$3,098.64	\$3,042.55	\$3,215.51	\$3,519.35	\$3,569.83	\$3,855.91	\$4,112.08	\$4,398.16	\$4,639.36
Tier 1 Vinyl/Upholstery	\$2,253.27	\$2,381.21	\$2,619.53	\$2,670.42	\$2,891.90	\$3,104.78	\$3,326.25	\$3,521.93	\$3,276.42	\$3,492.53	\$3,876.35	\$3,951.61	\$4,315.01	\$4,661.20	\$5,024.60	\$5,336.39
Tier 2 Vinyl/Upholstery	\$2,415.34	\$2,569.69	\$2,868.27	\$2,925.80	\$3,195.61	\$3,455.70	\$3,725.51	\$3,966.16	\$3,513.29	\$3,777.03	\$4,269.25	\$4,354.33	\$4,804.02	\$5,234.26	\$5,683.95	\$6,075.30
Tier 3 Vinyl/Upholstery	\$2,586.39	\$2,769.40	\$3,124.12	\$3,199.13	\$3,521.76	\$3,833.55	\$4,156.19	\$4,446.29	\$3,768.11	\$4,083.97	\$4,676.37	\$4,792.95	\$5,337.90	\$5,861.17	\$6,406.12	\$6,886.01
Tier 4 Vinyl/Upholstery	\$2,802.32	\$3,028.19	\$3,479.43	\$3,574.17	\$3,978.05	\$4,357.99	\$4,761.87	\$5,129.85	\$4,112.68	\$4,509.07	\$5,282.43	\$5,435.00	\$6,132.07	\$6,781.26	\$7,478.33	\$8,103.59
<b>Vinyl/Upholstered Seat &amp; Back (-VSUB)</b>																
Black, Wine, Red, Espresso, Navy, Chestnut, Gray & Hunter Green Vinyl	\$2,122.60	\$2,226.38	\$2,433.61	\$2,477.87	\$2,670.46	\$2,848.09	\$3,040.68	\$3,203.35	\$3,102.38	\$3,275.34	\$3,609.10	\$3,674.54	\$3,990.54	\$4,276.62	\$4,592.62	\$4,848.78
Tier 1 Vinyl/Upholstery	\$2,330.68	\$2,467.22	\$2,739.95	\$2,808.04	\$3,063.92	\$3,319.80	\$3,575.69	\$3,797.16	\$3,431.24	\$3,664.55	\$4,117.18	\$4,226.85	\$4,659.05	\$5,091.26	\$5,523.46	\$5,886.86
Tier 2 Vinyl/Upholstery	\$2,541.74	\$2,715.54	\$3,082.18	\$3,159.15	\$3,487.30	\$3,815.45	\$4,143.60	\$4,432.86	\$3,766.09	\$4,068.72	\$4,697.07	\$4,821.03	\$5,387.40	\$5,953.76	\$6,520.13	\$7,008.71
Tier 3 Vinyl/Upholstery	\$2,770.75	\$2,986.30	\$3,438.62	\$3,546.16	\$3,955.56	\$4,364.95	\$4,774.34	\$5,140.36	\$4,136.83	\$4,517.76	\$5,305.37	\$5,487.02	\$6,205.49	\$6,923.97	\$7,642.44	\$8,274.15
Tier 4 Vinyl/Upholstery	\$3,089.52	\$3,375.22	\$3,994.01	\$4,136.61	\$4,684.09	\$5,207.63	\$5,755.11	\$6,254.73	\$4,687.08	\$5,203.15	\$6,311.57	\$6,559.88	\$7,544.14	\$8,480.54	\$9,464.81	\$10,353.34

Call for pricing on matching banquettes, custom size, L-shaped, C-shaped, U-shaped, bar height, circle booths, corner booths & waiting benches!

MORNINGSIDE