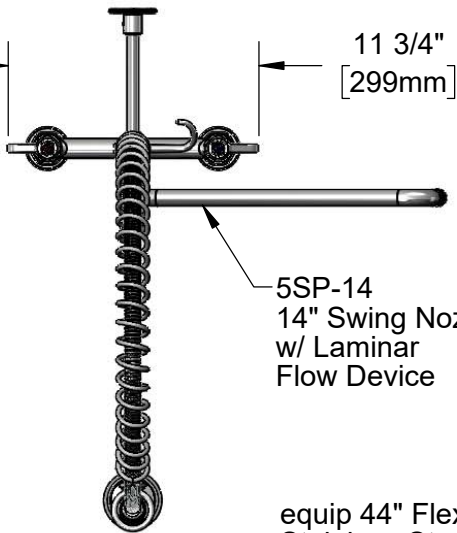
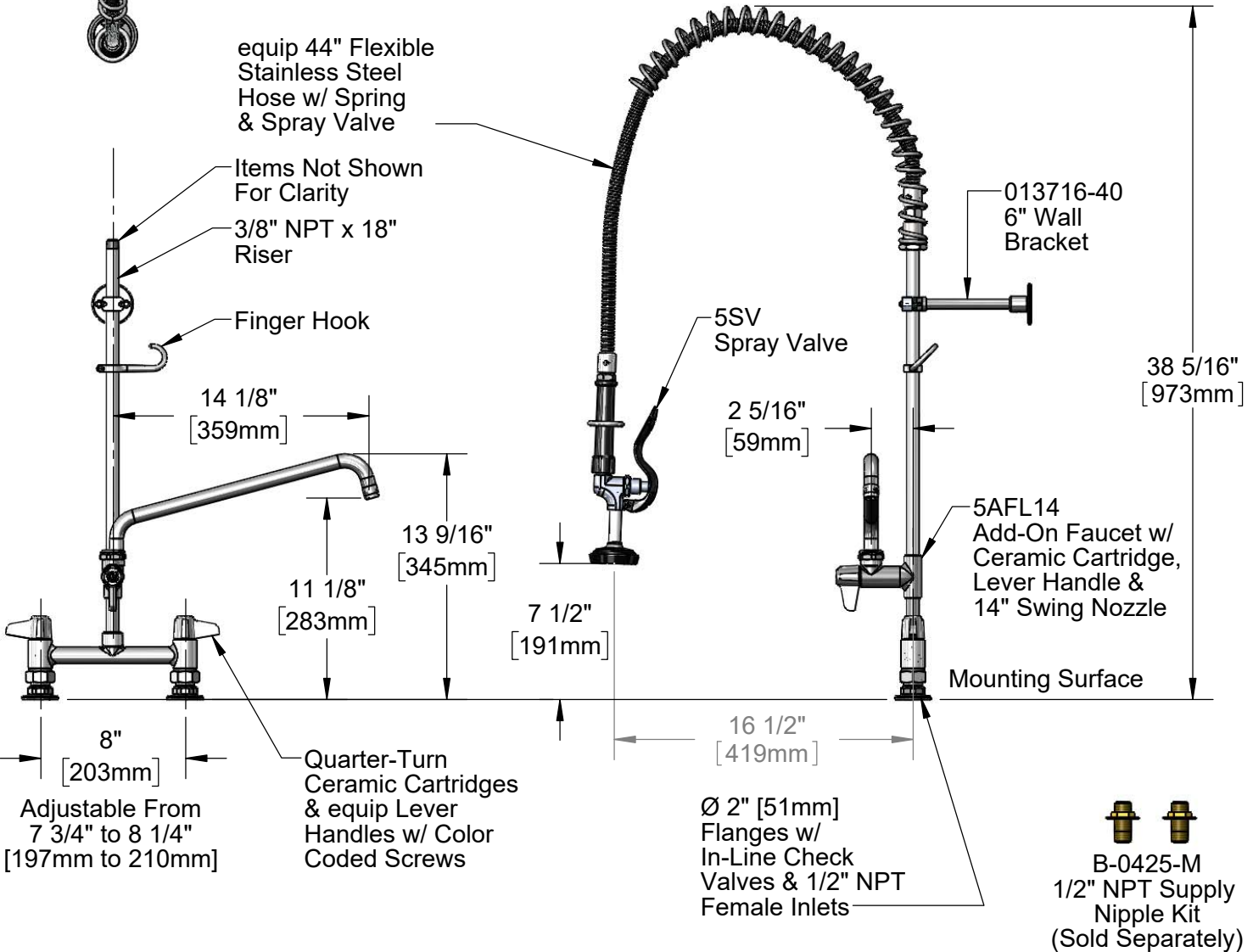


This Space for Architect/Engineer Approval

Job Name _____ Date _____
 Model Specified _____ Quantity _____
 Customer/Wholesaler _____
 Contractor _____
 Architect/Engineer _____



5SP-14
14" Swing Nozzle
w/ Laminar
Flow Device



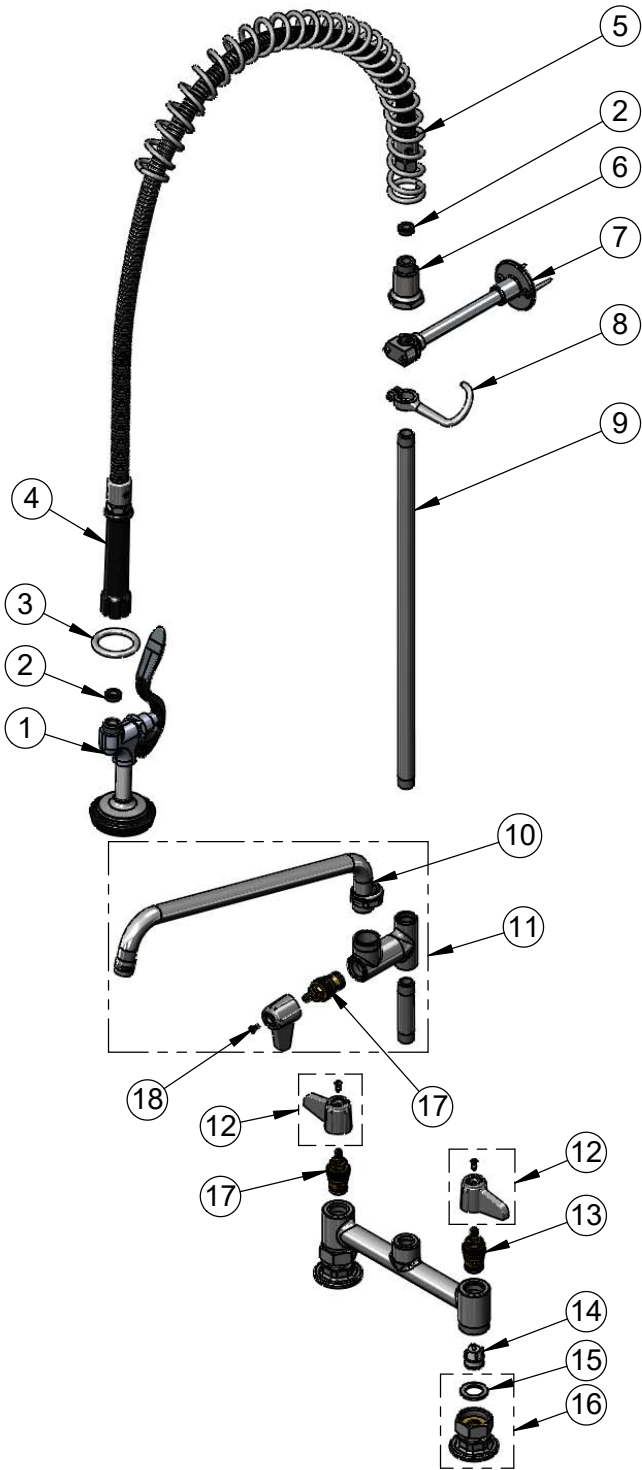
Model Number
5PR-8D14

Product Compliance:
 ASME A112.18.1 / CSA B125.1
 NSF 61 - Section 9
 NSF 372 (Low Lead Content)
 EPA Act 2005 (PRSV)

Product Specifications:
 Pre-Rinse Unit: 8" Deck Mount Mixing Faucet, Quarter-Turn Ceramic Cartridges, Add-On Faucet w/ 14" Swing Nozzle, 1.42 GPM Spray Valve, 6" Wall Bracket, In-Line Check Valves & 1/2" NPT Female Inlets

equip
Foodservice
Accessories

2 Saddleback Cove, P.O. Box 1088
 Travelers Rest, South Carolina 29690
 Phone: 800.891.4808 Fax: 800.868.0084
 equip.tsbrass.com



ITEM NO.	SALES NO.	DESCRIPTION
1	5SV	equip Spray Valve
2	010476-45	#27 Washer
3	000907-45	Spray Valve Hold Down Ring
4	5HSE44	equip 44" Flexible Stainless Steel Hose
5	014068-45	Overhead Spring
6	000821-40	Spring Body
7	013716-40	6" Wall Bracket
8	004R	Finger Hook
9	000369-40	3/8" NPT x 18" Riser
10	5SP-14	equip 14" Swing Nozzle
11	5AFL14	Add-On Faucet w/ 14" Swing Nozzle
12	5-HDL-L	equip Lever Handle w/ Color Coded Screws
13	013788-45	equip Ceramic Cartridge, LTC
14	013840-45	20mm Check Valve (2)
15	001019-45	Coupling Nut Washer
16	00AA	1/2" NPT Female Eccentric Flange
17	013787-45	Equip Ceramic Cartridge, RTC
18	013849-45	Handle Screw (10)
105	013848-45	equip Swivel Piece O-Ring

Model Number

5PR-8D14

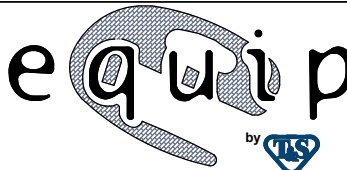
Product Specifications:

Pre-Rinse Unit: 8" Deck Mount Mixing Faucet, Quarter-Turn Ceramic Cartridges, Add-On Faucet w/ 14" Swing Nozzle, 1.42 GPM Spray Valve, 6" Wall Bracket, In-Line Check Valves & 1/2" NPT Female Inlets

Product Compliance:

ASME A112.18.1 / CSA B125.1
NSF 61 - Section 9
NSF 372 (Low Lead Content)
EPA Act 2005 (PRSV)

equip
Foodservice
Accessories



2 Saddleback Cove, P.O. Box 1088
Travelers Rest, South Carolina 29690
Phone: 800.891.4808 Fax: 800.868.0084
equip.tsbrass.com