

ITALIA 1-2-3 DELI/PASTRY SHOWCASE

STANDARD FEATURES

- Available in 3 heights: 45"H, 47"H, 53"H
- Maxi display volume perfectly refrigerated
- Diffused LED lighting 3000°K
- Sliding double pane doors closure on operator side
- Full volume temperature control
- Double glazed walls
- Electronic temperature control
- Perfect visibility on all 4 sides
- Front, top, sides double glasses
- Glass frame gray
- Cases ship standard unfinished front and stainless steel skin sides



Photos shown with optional RAL color finish. Standard cases are unfinished front with stainless steel skin sides.

OPTIONS

- Italia 4
- Italia 1-2-3 Narrow - 25" deep
- Glass frame colors: black, white, and gold
- Front access double doors
- Lift up hydraulic double pane front glass
- Remote condensing unit
- Matches with Muro H11
- Cold storage
- RAL color finish/wood laminate front and side panels
- Heated pan for evaporator
- Casters



Visit our website for more finishing options and RAL colors
www.oscartek.com

| ITALIA 1 DELI/PASTRY | | | | | |
|-------------------------------------|-----------------|------------------------------|-------------------------------|-------------------------------|-------------------------------|
| TECHNICAL FEATURES | | MODELS | | | |
| | | ITALIA 1 DP900 (ITL1DP35) | ITALIA 1 DP1200 (ITL1DP47) | ITALIA 1 DP1500 (ITL1DP59) | ITALIA 1 DP2000 (ITL1DP78) |
| External Dimensions (L-D-H) | Inches | *35 3/8" - 31 5/8" - 45 1/4" | *47 1/4" - 31 5/8" - 45 1/4" | *59" - 31 5/8" - 45 1/4" | *78 3/4" - 31 5/8" - 45 1/4" |
| | Inches-MM | *900 - 803 - 1150 | *1200 - 803 - 1150 | *1500 - 803 - 1150 | *2000 - 803 - 1150 |
| Crated Dimensions (L-D-H) | Inches | 42" - 38" - 52" | 54" - 38" - 52" | 67" - 38" - 52" | 85" - 38" - 52" |
| | Inches-MM | 1066 - 965 - 1320 | 1371 - 965 - 1320 | 1701 - 965 - 1320 | 2159 - 965 - 1320 |
| Refrigeration | Type | Ventilated | Ventilated | Ventilated | Ventilated |
| Refrigeration Display Area | Type | Deck + Shelf | Deck + Shelf | Deck + Shelf | Deck + Shelf |
| Operating Temperature | °F | 39.2°F | 39.2°F | 39.2°F | 39.2°F |
| Compressor | Nr./Type | 1 / Hermetic | 1 / Hermetic | 1 / Hermetic | 1 / Hermetic |
| BTU'S @ +14°F Expansion Temperature | BTU's | 1750 | 2300 | 2950 | 3750 |
| Electric Supply | V/Ph/Hz | 115/1/60 | 115/1/60 | 115/1/60 | 115/1/60 |
| Power Consumption | W/A | 580/5.5 | 650/6.2 | 850/8.0 | 1200/11.4 |
| Defrost | Mode/Type | Automatic | Automatic | Automatic | Automatic |
| Climatic Class | °F/H.R. | 75°F-55%RH | 75°F-55%RH | 75°F-55%RH | 75°F-55%RH |
| Refrigerant Gas | Type | R404A / R452A | R404A / R452A | R404A / R452A | R404A / R452A |
| Pipe Size (Inches) | Suction, Liquid | 3/8" Suction, 1/4" Liquid | 3/8" Suction, 1/4" Liquid | 1/2" Suction, 1/4" Liquid | 5/8" Suction, 5/16" Liquid |
| Net Weights | Lb | 310 | 365 | 465 | 540 |
| Crated Weights | Lb | 360 | 415 | 540 | 615 |

* DIMENSIONS ARE WITHOUT SIDE PANELS

*Factory in its effort to upgrade and improve our products, has the right to change, modify, discontinue or change any feature, size or capacity on any model without prior notice.



512 South Airport Blvd., South San Francisco, CA 94080
 Tel: 855.885.2400 | 650.342.2400 | Fax: 650.342.7400
sales@oscartek.com | www.oscartek.com



ITALIA 1-2-3 DELI/PASTRY SHOWCASE

| ITALIA 1 DELI/PASTRY | | | |
|-------------------------------------|-----------------|-----------------------------------|-----------------------------------|
| TECHNICAL FEATURES | | MODELS | |
| | | ITALIA 1 DPA90LT (ITL1DPAP90D) | ITALIA 1 DPA90RT (ITL1DPAP90S) |
| External Dimensions (L-D-H) | Inches | ** 59" - 31 5/8" - 45 1/4" | ** 59" - 31 5/8" - 45 1/4" |
| | MM | **1500 - 803 - 1150 | **1500 - 803 - 1150 |
| Crated Dimensions (L-D-H) | Inches | 67" - 38" - 52" | 67" - 38" - 52" |
| | MM | 1701 - 965 - 1320 | 1701 - 965 - 1320 |
| Refrigeration | Type | Ventilated | Ventilated |
| Refrigeration Display Area | Type | Deck + Shelf | Deck + Shelf |
| Operating Temperature | °F | 39.2°F | 39.2°F |
| Compressor | Nr./Type | 1 / Hermetic | 1 / Hermetic |
| BTU'S @ +14°F Expansion Temperature | BTU's | 5600 | 5600 |
| Electric Supply | V/Ph/Hz | 208-220/1/60 | 208-220/1/60 |
| Power Consumption | W/A | 1600/8.5 | 1600/8.5 |
| Defrost | Mode/Type | Automatic | Automatic |
| Climatic Class | °F/H.R. | 75°F-55%RH | 75°F-55%RH |
| Refrigerant Gas | Type | R404A / R452A | R404A / R452A |
| Pipe Size (Inches) | Suction, Liquid | 5/8" Suction, 5/16" Liquid | 5/8" Suction, 5/16" Liquid |
| Net Weights | Lb | 705 | 705 |
| Crated Weights | Lb | 780 | 780 |

**DIMENSIONS ARE WITHOUT SIDE PANELS. SEE PLAN VIEWS FOR ADDITIONAL EXTERIOR DIMENSIONS

| ITALIA 2 DELI/PASTRY | | | | | |
|-------------------------------------|-----------------|------------------------------|-------------------------------|-------------------------------|-------------------------------|
| TECHNICAL FEATURES | | MODELS | | | |
| | | ITALIA 2 DP900 (ITL2DP35) | ITALIA 2 DP1200 (ITL2DP47) | ITALIA 2 DP1500 (ITL2DP59) | ITALIA 2 DP2000 (ITL2DP78) |
| External Dimensions (L-D-H) | Inches | *35 3/8" - 31 5/8" - 47 1/4" | *47 1/4" - 31 5/8" - 47 1/4" | *59" - 31 5/8" - 47 1/4" | *78 3/4" - 31 5/8" - 47 1/4" |
| | MM | *900 - 803 - 1200 | *1200 - 803 - 1200 | *1500 - 803 - 1200 | *2000 - 803 - 1200 |
| Crated Dimensions (L-D-H) | Inches | 42" - 38" - 54" | 54" - 38" - 54" | 67" - 38" - 54" | 85" - 38" - 54" |
| | MM | 1066 - 965 - 1371 | 1371 - 965 - 1371 | 1701 - 965 - 1371 | 2159 - 965 - 1371 |
| Refrigeration | Type | Ventilated | Ventilated | Ventilated | Ventilated |
| Refrigeration Display Area | Type | Deck + Shelves | Deck + Shelves | Deck + Shelves | Deck + Shelves |
| Operating Temperature | °F | 39.2°F | 39.2°F | 39.2°F | 39.2°F |
| Compressor | Nr./Type | 1 / Hermetic | 1 / Hermetic | 1 / Hermetic | 1 / Hermetic |
| BTU'S @ +14°F Expansion Temperature | BTU's | 1980 | 2660 | 3380 | 4090 |
| Electric Supply | V/Ph/Hz | 115/1/60 | 115/1/60 | 115/1/60 | 115/1/60 |
| Power Consumption | W/A | 580/5.5 | 650/6.2 | 850/8.0 | 1200/11.4 |
| Defrost | Mode/Type | Automatic | Automatic | Automatic | Automatic |
| Climatic Class | °F/H.R. | 75°F-55%RH | 75°F-55%RH | 75°F-55%RH | 75°F-55%RH |
| Refrigerant Gas | Type | R404A / R452A | R404A / R452A | R404A / R452A | R404A / R452A |
| Pipe Size (Inches) | Suction, Liquid | 3/8" Suction, 1/4" Liquid | 3/8" Suction, 1/4" Liquid | 1/2" Suction, 1/4" Liquid | 5/8" Suction, 5/16" Liquid |
| Net Weights | Lb | 330 | 400 | 510 | 595 |
| Crated Weights | Lb | 380 | 450 | 585 | 670 |

* DIMENSIONS ARE WITHOUT SIDE PANELS

*Factory in its effort to upgrade and improve our products, has the right to change, modify, discontinue or change any feature, size or capacity on any model without prior notice.



512 South Airport Blvd., South San Francisco, CA 94080
 Tel: 855.885.2400 | 650.342.2400 | Fax: 650.342.7400
 sales@oscartek.com | www.oscartek.com



ITALIA 1-2-3 DELI/PASTRY SHOWCASE

| ITALIA 2 DELI/PASTRY | | | |
|-------------------------------------|-----------------|-----------------------------------|-----------------------------------|
| TECHNICAL FEATURES | | MODELS | |
| | | ITALIA 2 DPA90LT (ITL2DPAP90D) | ITALIA 2 DPA90RT (ITL2DPAP90S) |
| External Dimensions (L-D-H) | Inches | ** 59" - 31 5/8" - 47 1/4" | ** 59" - 31 5/8" - 47 1/4" |
| | Inches-MM | **1500 - 803 - 1200 | **1500 - 803 - 1200 |
| Crated Dimensions (L-D-H) | Inches | 67" - 38" - 54" | 67" - 38" - 54" |
| | Inches-MM | 1701 - 965 - 1371 | 1701 - 965 - 1371 |
| Refrigeration | Type | Ventilated | Ventilated |
| Refrigeration Display Area | Type | Deck + Shelves | Deck + Shelves |
| Operating Temperature | °F | 39.2°F | 39.2°F |
| Compressor | Nr./Type | 1 / Hermetic | 1 / Hermetic |
| BTU'S @ +14°F Expansion Temperature | BTU's | 6150 | 6150 |
| Electric Supply | V/Ph/Hz | 208-220/1/60 | 208-220/1/60 |
| Power Consumption | W/A | 1600/8.5 | 1600/8.5 |
| Defrost | Mode/Type | Automatic | Automatic |
| Climatic Class | °F/H.R. | 75°F-55%RH | 75°F-55%RH |
| Refrigerant Gas | Type | R404A / R452A | R404A / R452A |
| Pipe Size (Inches) | Suction, Liquid | 5/8" Suction, 5/16" Liquid | 5/8" Suction, 5/16" Liquid |
| Net Weights | Lb | 770 | 770 |
| Crated Weights | Lb | 850 | 850 |

****DIMENSIONS ARE WITHOUT SIDE PANELS. SEE PLAN VIEWS FOR ADDITIONAL EXTERIOR DIMENSIONS**

| ITALIA 3 DELI/PASTRY | | | | | |
|-------------------------------------|-----------------|------------------------------|-------------------------------|-------------------------------|-------------------------------|
| TECHNICAL FEATURES | | MODELS | | | |
| | | ITALIA 3 DP900 (ITL3DP35) | ITALIA 3 DP1200 (ITL3DP47) | ITALIA 3 DP1500 (ITL3DP59) | ITALIA 3 DP2000 (ITL3DP78) |
| External Dimensions (L-D-H) | Inches | *35 3/8" - 31 5/8" - 53 1/8" | *47 1/4" - 31 5/8" - 53 1/8" | *59" - 31 5/8" - 53 1/8" | *78 3/4" - 31 5/8" - 53 1/8" |
| | Inches-MM | *900 - 803 - 1350 | *1200 - 803 - 1350 | *1500 - 803 - 1350 | *2000 - 803 - 1350 |
| Crated Dimensions (L-D-H) | Inches | 42" - 38" - 60" | 54" - 38" - 60" | 67" - 38" - 60" | 85" - 38" - 60" |
| | Inches-MM | 1066 - 965 - 1524 | 1371 - 965 - 1524 | 1701 - 965 - 1524 | 2159 - 965 - 1524 |
| Refrigeration | Type | Ventilated | Ventilated | Ventilated | Ventilated |
| Refrigeration Display Area | Type | Deck + Shelves | Deck + Shelves | Deck + Shelves | Deck + Shelves |
| Operating Temperature | °F | 39.2°F | 39.2°F | 39.2°F | 39.2°F |
| Compressor | Nr./Type | 1 / Hermetic | 1 / Hermetic | 1 / Hermetic | 1 / Hermetic |
| BTU'S @ +14°F Expansion Temperature | BTU's | 2300 | 3200 | 3850 | 4900 |
| Electric Supply | V/Ph/Hz | 115/1/60 | 115/1/60 | 115/1/60 | 115/1/60 |
| Power Consumption | W/A | 750/6.9 | 950/8.5 | 1350/13.0 | 1500/14.4 |
| Defrost | Mode/Type | Automatic | Automatic | Automatic | Automatic |
| Climatic Class | °F/H.R. | 75°F-55%RH | 75°F-55%RH | 75°F-55%RH | 75°F-55%RH |
| Refrigerant Gas | Type | R404A / R452A | R404A / R452A | R404A / R452A | R404A / R452A |
| Pipe Size (Inches) | Suction, Liquid | 3/8" Suction, 1/4" Liquid | 1/2" Suction, 1/4" Liquid | 5/8" Suction, 5/16" Liquid | 5/8" Suction, 5/16" Liquid |
| Net Weights | Lb | 355 | 430 | 550 | 650 |
| Crated Weights | Lb | 405 | 480 | 625 | 725 |

*** DIMENSIONS ARE WITHOUT SIDE PANELS**

**Factory in its effort to upgrade and improve our products, has the right to change, modify, discontinue or change any feature, size or capacity on any model without prior notice.*



512 South Airport Blvd., South San Francisco, CA 94080
 Tel: 855.885.2400 | 650.342.2400 | Fax: 650.342.7400
 sales@oscartek.com | www.oscartek.com

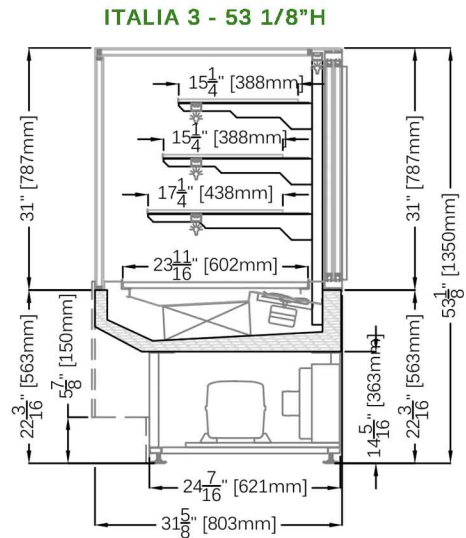
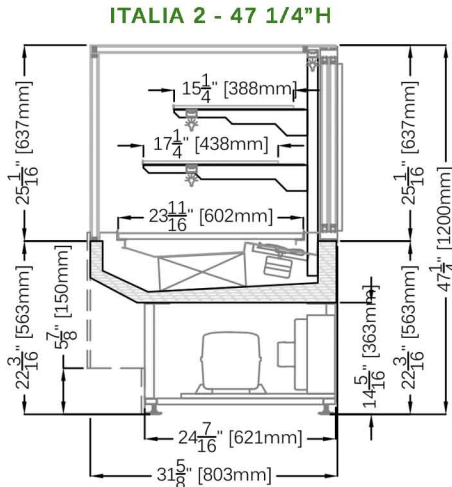
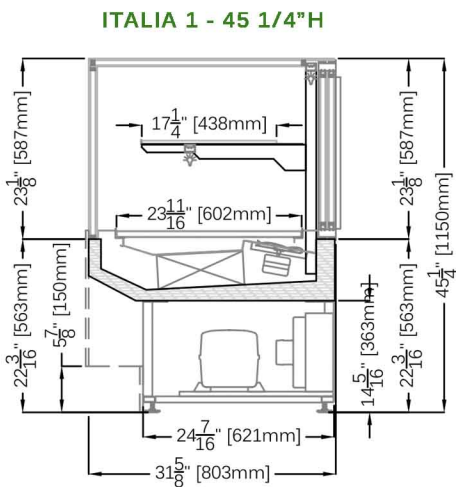


ITALIA 1-2-3 DELI/PASTRY SHOWCASE

| ITALIA 3 DELI/PASTRY | | | |
|-------------------------------------|-----------------|-----------------------------------|-----------------------------------|
| TECHNICAL FEATURES | | MODELS | |
| | | ITALIA 3 DPA90LT (ITL3DPAP90D) | ITALIA 3 DPA90RT (ITL3DPAP90S) |
| External Dimensions (L-D-H) | Inches | ** 59" - 31 5/8" - 53 1/8" | ** 59" - 31 5/8" - 53 1/8" |
| Inches-MM | MM | **1500 - 803 - 1350 | **1500 - 803 - 1350 |
| Crated Dimensions (L-D-H) | Inches | 67" - 38" - 60" | 67" - 38" - 60" |
| Inches-MM | MM | 1701 - 965 - 1524 | 1701 - 965 - 1524 |
| Refrigeration | Type | Ventilated | Ventilated |
| Refrigeration Display Area | Type | Deck + Shelves | Deck + Shelves |
| Operating Temperature | °F | 39.2°F | 39.2°F |
| Compressor | Nr./Type | 1 / Hermetic | 1 / Hermetic |
| BTU'S @ +14°F Expansion Temperature | BTU's | 7000 | 7000 |
| Electric Supply | V/Ph/Hz | 208-220/1/60 | 208-220/1/60 |
| Power Consumption | W/A | 1850/9.2 | 1850/9.2 |
| Defrost | Mode/Type | Automatic | Automatic |
| Climatic Class | °F/H.R. | 75°F-55%RH | 75°F-55%RH |
| Refrigerant Gas | Type | R404A / R452A | R404A / R452A |
| Pipe Size (Inches) | Suction, Liquid | 5/8" Suction, 3/8" Liquid | 5/8" Suction, 3/8" Liquid |
| Net Weights | Lb | 840 | 840 |
| Crated Weights | Lb | 915 | 915 |

****DIMENSIONS ARE WITHOUT SIDE PANELS. SEE PLAN VIEWS FOR ADDITIONAL EXTERIOR DIMENSIONS**

SECTION VIEWS: ITALIA 1-2-3 DP900, DP1200, DP1500, DP2000, DPA90LT, DPA90RT



*Factory in its effort to upgrade and improve our products, has the right to change, modify, discontinue or change any feature, size or capacity on any model without prior notice.

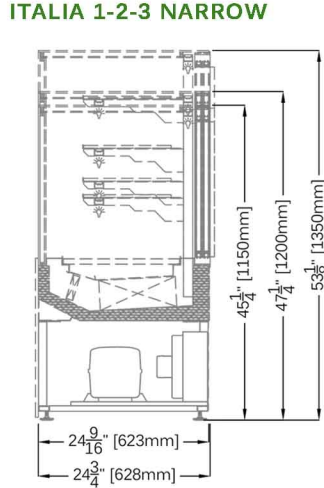
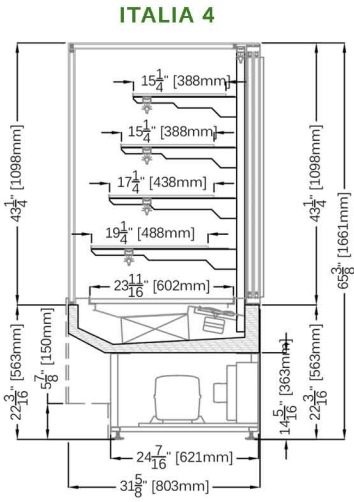


512 South Airport Blvd., South San Francisco, CA 94080
 Tel: 855.885.2400 | 650.342.2400 | Fax: 650.342.7400
 sales@oscartek.com | www.oscartek.com



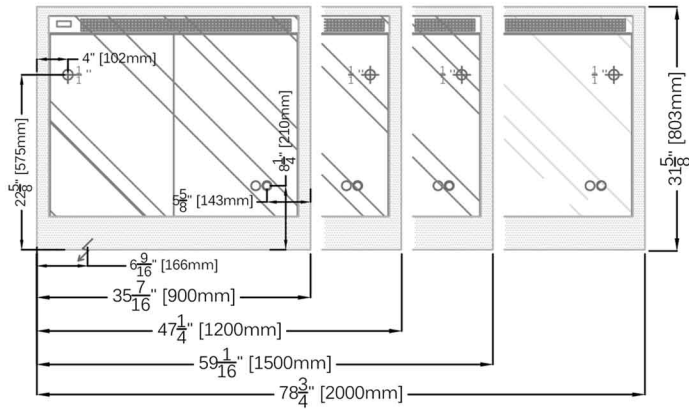
ITALIA 1-2-3 DELI/PASTRY SHOWCASE

OPTIONAL:



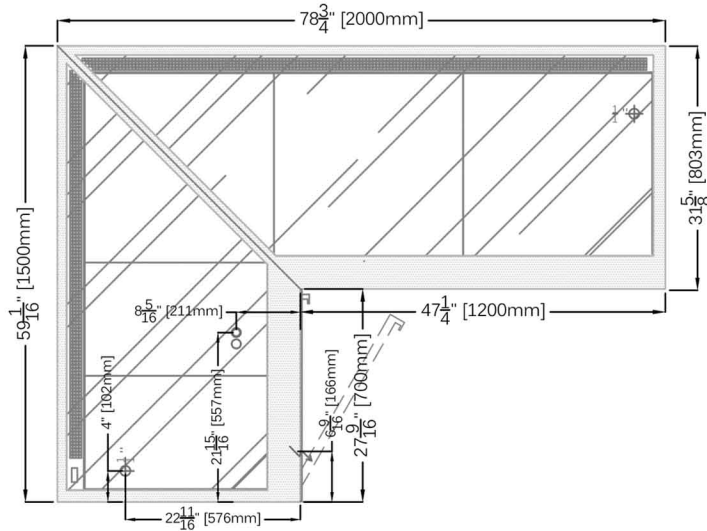
ITALIA 1-2-3 PLAN VIEWS: ITALIA 1-2-3 DP900, DP1200, DP1500, DP2000, DPA90LT, DPA90RT

ITALIA 1-2-3 LINEAR MODELS

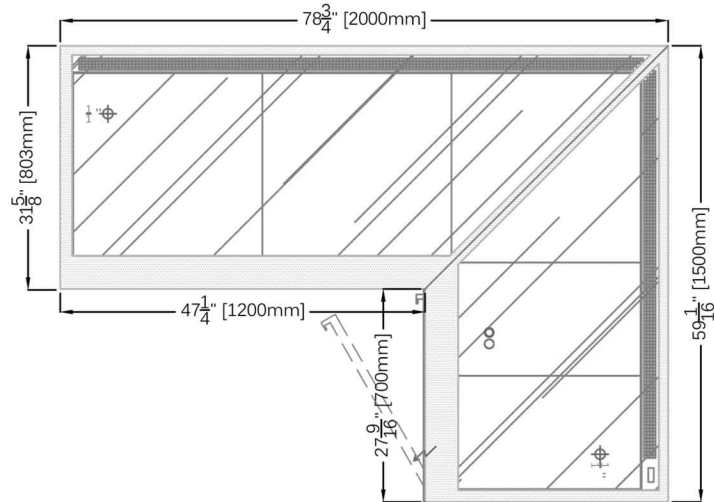


| ELECTRICAL LEGEND | |
|-------------------|--------------------|
| | REFRIGERATED LINES |
| | DRAIN |
| | POWER |

ITALIA 1-2-3 DPA90LT



ITALIA 1-2-3 DPA90RT



*Factory in its effort to upgrade and improve our products, has the right to change, modify, discontinue or change any feature, size or capacity on any model without prior notice.



512 South Airport Blvd., South San Francisco, CA 94080
 Tel: 855.885.2400 | 650.342.2400 | Fax: 650.342.7400
 sales@oscartek.com | www.oscartek.com

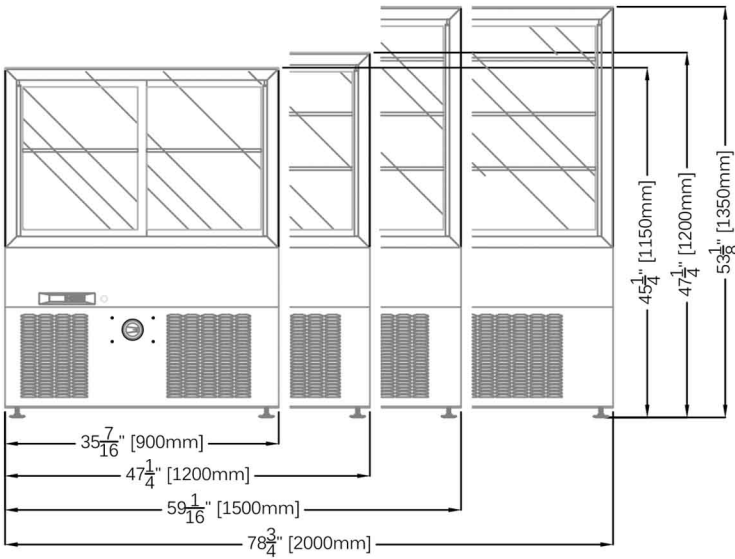


ITALIA 1-2-3 DELI/PASTRY SHOWCASE

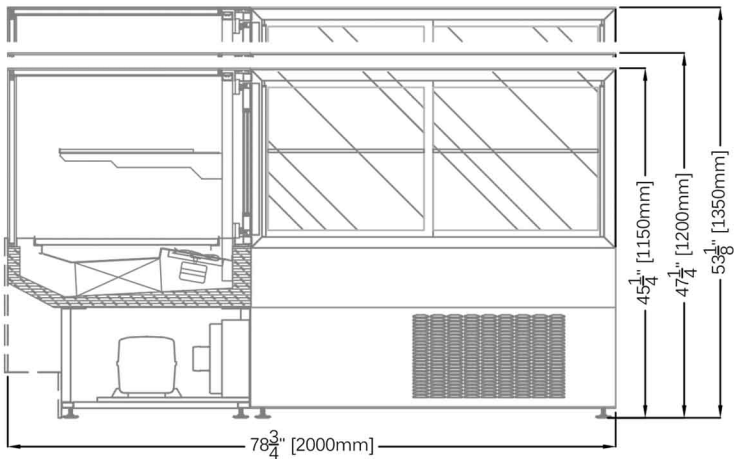
ITALIA 1-2-3 REAR ELEVATIONS (OPERATOR SIDE): SHOWN WITH REAR VENTILATION

ITALIA 1-2-3 DP900, DP1200, DP1500, DP2000, DPA90LT, DPA90RT

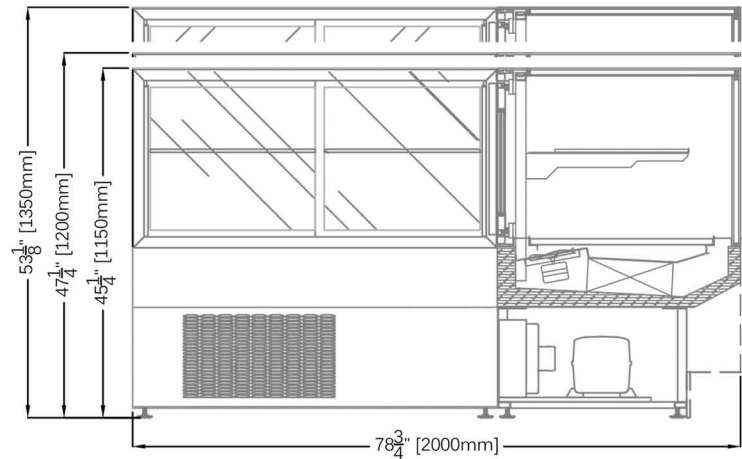
ITALIA 1-2-3 LINEAR MODELS



ITALIA 1-2-3 DPA90LT



ITALIA 1-2-3 DPA90RT



*Factory in its effort to upgrade and improve our products, has the right to change, modify, discontinue or change any feature, size or capacity on any model without prior notice.



512 South Airport Blvd., South San Francisco, CA 94080
 Tel: 855.885.2400 | 650.342.2400 | Fax: 650.342.7400
 sales@oscartek.com | www.oscartek.com

