

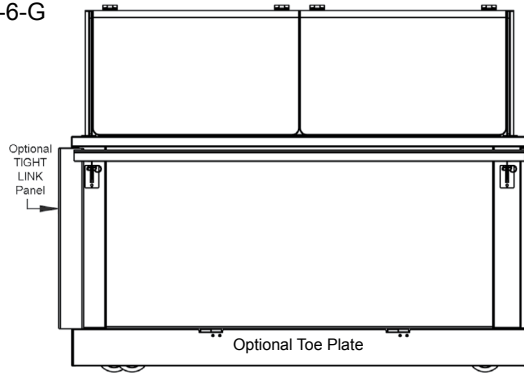


# MODULAR SINGLE-SIDED UTILITY FOOD COUNTERS

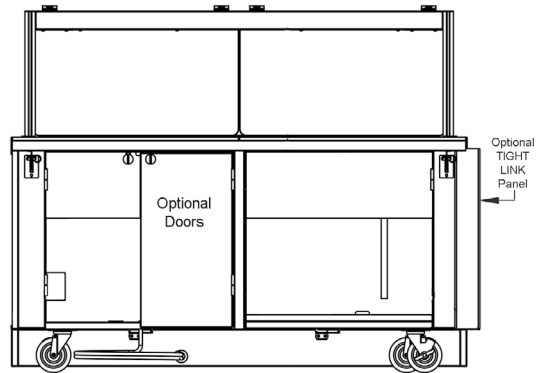
## MODELS

- MPUC-2-G
- MPUC-3-G
- MPUC-4-G
- MPUC-5-G
- MPUC-6-G

## M-POWER™ Series

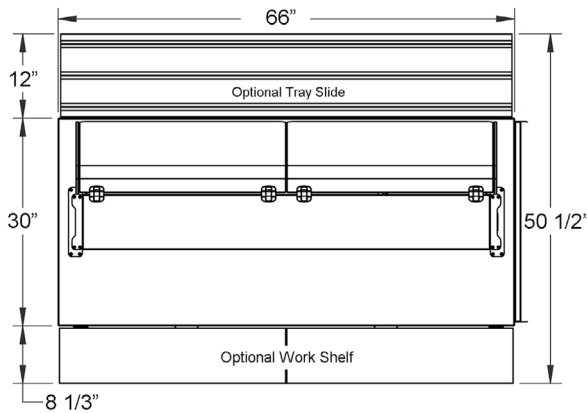


Front View ▲



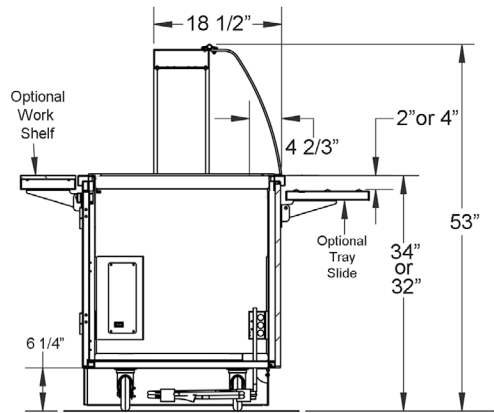
Operator View ▲

### Model MPUC-4-G\*



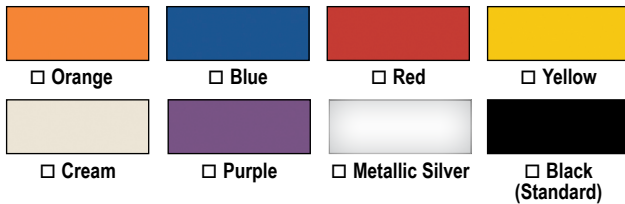
Plan View ▲

\* Shown with full-serve food guard.



End View ▲

### Available Food Guard/Kick Plate Colors



### MODEL DETAILS

Model	Counter Length	Ship Wt. (Lbs.)
MPUC-2-G	48"	300
MPUC-3-G	54"	325
MPUC-4-G	66"	380
MPUC-5-G	80"	435
MPUC-6-G	94"	515

### SPECIFICATIONS

#### General:

Provide Multiteria Model MPUC-\_\_\_\_-G, to be constructed with heavy-duty all-welded stainless steel rigid frame. Countertop to be manufactured with 14-gauge stainless steel with 1½" top turndown. All welds to be ground and polished to provide #4 finish. Counter to have easily removable stainless steel front/end panels. Fold-down 12" wide stainless steel tray slide (optional) is full-length with triple 'V' ridge top surface, and is removable without tools. UL listed electrical and sanitation.

#### Body Frame:

Core and shell is 100% stainless steel structural channel supports, all TIG welded in place, no rivets or fasteners. Body frame is designed to accept optional TIGHT LINK™ (patented) fasteningsystem for multiple counters. Base to be furnished with removable stainless steel undershelf. Undershelf depth to allow 4" clear open space for mechanical connections during installation. Unit has four ea. 6" heavy-duty swivel casters, two ea. with brake.

#### Front & End Panels:

All stainless steel panels are to be 18-gauge. Optional MDO panels are ¼" thick with standard plastic laminate on front and white laminate interior. Panels are removable for service access. Millwork end panels are removable without tools.

#### Food Guard:

To include curved acrylic panel(s) hinged to a powder coated (black color standard) center frame. Hinged acrylic panels lift for easy cleaning access. Available in full-serve and self-serve styles.

#### Optional TIGHT LINK™ System

Patented system features slide-in panels that link adjacent counters together their entire depth and height to eliminate top, front and rear horizontal and vertical gaps between equipment. Linking panels are open to allow mechanical connections to run through adjoining counters without having to cut access holes, reducing the number of building mechanicals required to connect equipment.

#### Limited Warranty:

Core and shell has a lifetime warranty against weld or structural support failure.



MULTITERIA • 4900 W. ELECTRIC AVENUE • WEST MILWAUKEE, WI 53219

OFFICE: 414.902.6400 • FAX: 414.902.6446 • INFO@MULTITERIAUSA.COM • WWW.MULTITERIAUSA.COM