

Project: _____	AIA# _____
Item #: _____ Qty: _____	SIS# _____
Model #: _____	

Recessed Drainboards

See reverse side for model number key



RDBA-18D

Standard Features

- All stainless steel construction
- Adjustable stainless steel bullet feet
- One piece, seamless top and backsplash featuring 1/4" radius corners for easy cleaning
- Lift-out stainless steel perforated shelf for stacking glassware
- Work surface consists of a drain pan and separate perforated insert for better air circulation
- Specially designed side profiles to align with four different equipment mounting situations

To view underbar installation instructions, please visit: https://www.glastender.com/PDF/F-750-165_Underbar_Installation_Instructions.pdf
 To view cleaning and care instructions, please visit: https://www.glastender.com/PDF/F-423-011_ss_clean_care.pdf

Specifications	Product Information
-----------------------	----------------------------

Drain

- 1-1/2" I.P.S. Threaded drain will fit Dearborn part #8033 slipnut and part #W-573P washer

Legs

- 1-5/8" diameter, 16 gauge stainless steel
- Stainless steel bullet feet

Materials

- 20 gauge stainless steel parts include: all components unless otherwise noted
- 18 gauge stainless steel parts include: sides

Recessed drainboards have the same drain pan with separate perforated insert design as normal drainboards, except the work surface has been lowered to allow stacking of glassware. A perforated shelf is placed on top of the first level of glassware and a second layer of glassware is stacked on top of it. Recessed drainboards work best when only one style of glassware is being stored.

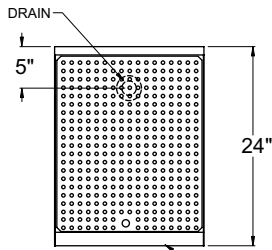
Recessed drainboards cannot have a speed rail mounted to them. Since speed rails are so common on underbar, recessed drainboards have been designed to align with underbar that has a speed rail. The four different recessed drainboard styles are based on the four different equipment mounting situations.

Glastender, Inc. • 5400 North Michigan Road • Saginaw, MI • 48604-9780 989.752.4275 • 800.748.0423 • Fax 989.752.4444 www.glastender.com	Approval/Notes:
Specifications subject to change without notice. For current specifications please visit our website.	

Recessed Drainboards

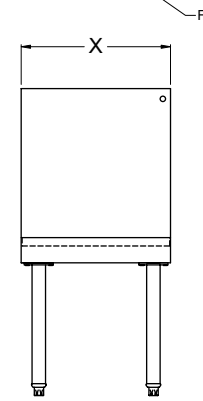
Dimensional Information

24" Deep Models

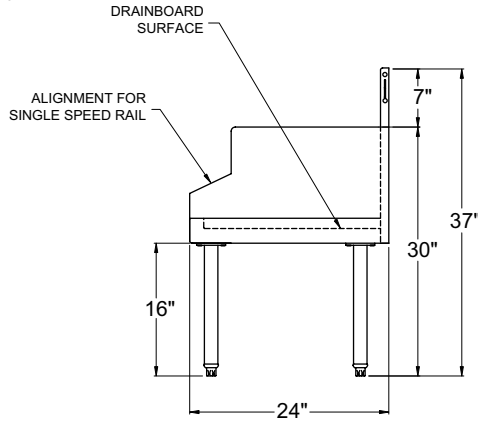


PLAN VIEW

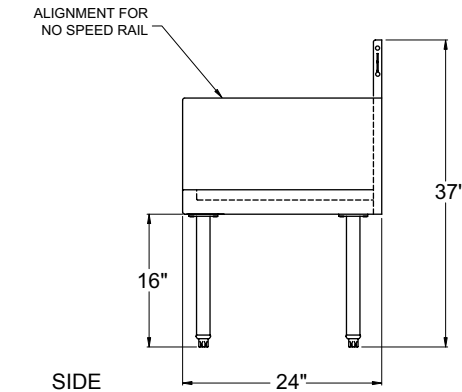
Model Number	X
RDBA-12S or RDBB-12	12"
RDBA-18S or RDBB-18	18"
RDBA-24S or RDBB-24	24"
RDBA-30S or RDBB-30	30"



FRONT ELEVATION



RDBA- * S

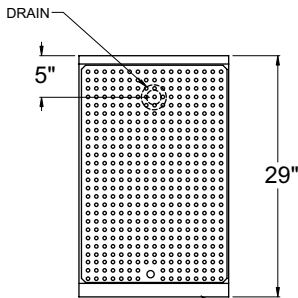


SIDE ELEVATIONS

RDBB- *

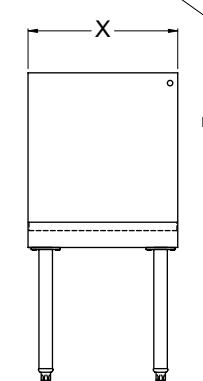
NOTE: Plan views are identical for all 24" deep models. Please see elevation views for profile differences. * Denotes length in inches

29" Deep Models

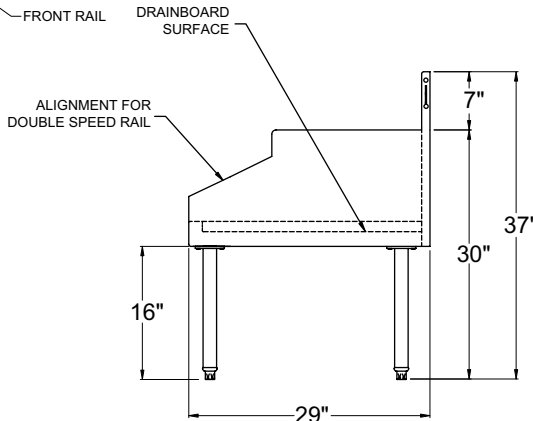


PLAN VIEW

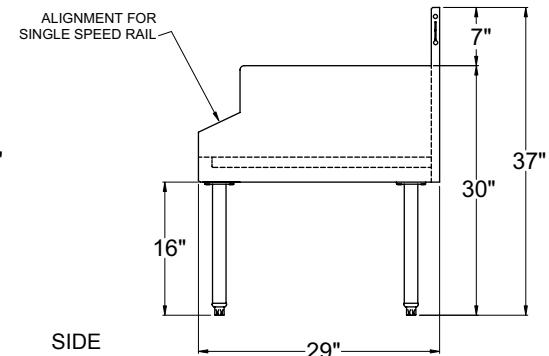
Model Number	X
RDBA-12D or RDBB-12S	12"
RDBA-18D or RDBB-18S	18"
RDBA-24D or RDBB-24S	24"
RDBA-30D or RDBB-30S	30"



FRONT ELEVATION



RDBA- * D



SIDE ELEVATIONS

RDBB- * S

NOTE: Plan views are identical for all 29" deep models. Please see elevation views for profile differences. * Denotes length in inches



5400 North Michigan Road • Saginaw, MI • 48604-9780
 989.752.4275 • 800.748.0423 • Fax 989.752.4444
 www.glastender.com