



NOR-LAKE, INCORPORATED
727 Second Street
Hudson, Wisconsin 54016

800-955-5253
715-386-2323
866-961-5253 Parts
800-388-5253 Service
715-386-6149 FAX
www.norlake.com

ADVANTEDGE™ MEGA TOP SANDWICH FOOD PREP REFRIGERATORS



PROJECT:
.....
ITEM NUMBER:
.....
MODEL NUMBER:
.....

MEGA TOP SANDWICH FOOD PREP REFRIGERATORS

SPECIFICATIONS FOR: NLSMP27-12, NLSMP36-15, NLSMP48-18, NLSMP60-24, NLSMP72-30

- **Finish:** Stainless steel interior and exterior
- **Insulation:** Complete cabinet and doors are foamed-in-place with polyurethane insulation. Insulated pan cover
- **Hardware:** Curved handle with recessed pocket with one shelf per door, 6" overall height casters standard
- **Electrical:** 115 volt, 60 Hz, 1 phase with cord and plug
- **Refrigeration:** Self-contained forced air refrigeration system. The condensate is collected and automatically evaporated from an energy efficient vaporizer. Refrigerant flow is controlled by a capillary tube. R290 refrigerant. Temperature range: +34°F to +38°F for storage area, +33°F to +41°F for refrigerated pan well.
- **Accessories:** 1/6 size pans, locking pan adapter bars and 9-1/2" polyethylene cutting board included
- **Approvals:** UL, C-UL Safety and ETL Sanitation listed **

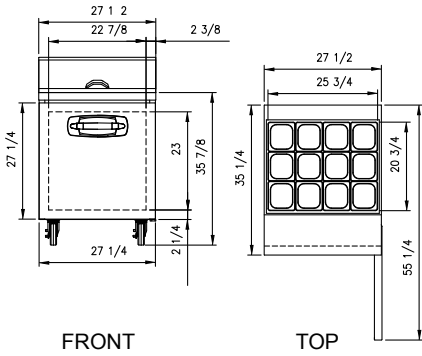
STANDARD FEATURES

- 1/6 size pans included
- Locking pan adapter bars run front-to-back and side-to-side allowing mixed pan sizes
- Pan adapter bars lock together to hold pans in place
- Air cooled condensing unit
- Automatic condensate vaporizer
- Automatic defrost
- Capillary tube system
- Casters
- Cutting board
- Field reversible door on NLSMP27-12
- Magnetic gaskets
- Self-closing doors
- Stainless steel interior and exterior
- UL, C-UL Safety & ETL Sanitation listed **
- Warranties: 3 yr. parts & labor, 5 yr. compressor

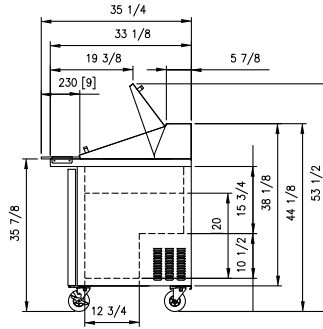
OPTIONAL FEATURES*

- Additional shelves
- Overshelf assemblies (single & double)
- 6" legs in lieu of casters
- 4" casters

* Most options are available two weeks from receipt of order. Please contact us for specific questions.
** C-UL is Underwriters Laboratories Safety Certification Mark which indicates that UL has tested the equipment to applicable CSA Standards.
** ETL Sanitation is Intertek Sanitation Mark which indicates that Intertek has tested the equipment to applicable NSF Standards..



FRONT
NLSMP27-12



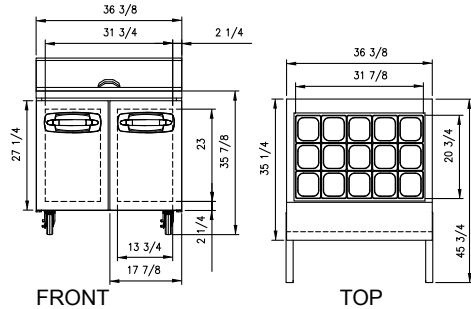
SIDE
ALL MODELS

SPECIFICATIONS

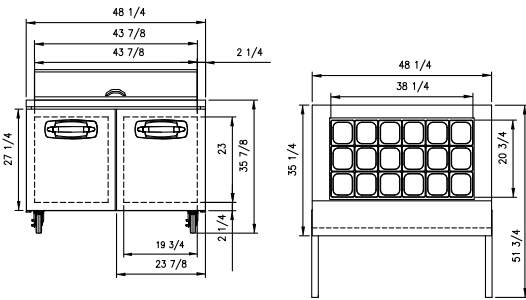
Models	NLSMP27-12	NLSMP36-15	NLSMP48-18	NLSMP60-24	NLSMP72-30
Crated Weight (lbs) (kg)	176 (80)	216 (98)	265 (120)	300 (136)	353 (160)
Crated Height (in) (cm)	45-7/8 (117)	45-7/8 (117)	45-7/8 (117)	45-7/8 (117)	45-7/8 (117)
Crated Width (in) (cm)	30-1/8 (77)	38 (97)	51-1/4 (130)	63 (160)	74-3/8 (189)
Crated Depth (in) (cm)	35-7/8 (96)	35-7/8 (96)	35-7/8 (96)	35-7/8 (96)	35-7/8 (96)
Interior Height (in) (cm)	20 (51)	20 (51)	20 (51)	20 (51)	20 (51)
Interior Width (in) (cm)	23-5/8 (64)	32-1/2 (83)	44-5/8 (113)	56-5/8 (144)	68-5/8 (174)
Interior Depth (in) (cm)	22 (56)	22 (56)	22 (56)	22 (56)	22 (56)
Overall Height (in) (cm)	44-1/8 (112)	44-1/8 (112)	44-1/8 (112)	44-1/8 (112)	44-1/8 (112)
Overall Width (in) (cm)	27-1/2 (70)	36-3/8 (92)	48-1/4 (123)	60-3/8 (153)	72-3/8 (184)
Overall Depth* (in) (cm)	33-1/8 (84)	33-1/8 (84)	33-1/8 (84)	33-1/8 (84)	33-1/8 (84)
Gross Cubage (CuFt) (L)	6.7 (190)	9.1 (258)	12.5 (354)	15.9 (450)	19.2 (544)
Number of 1/6 Pans	12	15	18	24	30
Number of Shelves	1	2	2	2	3
Shelf Area (SqFt) (Sqm)	3.6 (0.33)	5 (0.46)	6.8 (0.63)	8.6 (0.80)	10.5 (0.93)
Number of Casters	4	4	4	4	4
Condensing Unit Size	1/5 HP	1/5 HP	1/5 HP	1/5 HP	1/5 HP
Refrigerant	R290	R290	R290	R290	R290
Electrical Characteristics	115/60/1	115/60/1	115/60/1	115/60/1	115/60/1
Cord and Plug Furnished	Yes	Yes	Yes	Yes	Yes
NEMA Plug Configuration	5-15P	5-15P	5-15P	5-15P	5-15P
Total Amp Draw	3.5	3.5	3.5	3.5	3.5

*Overall depth not including removable cutting board

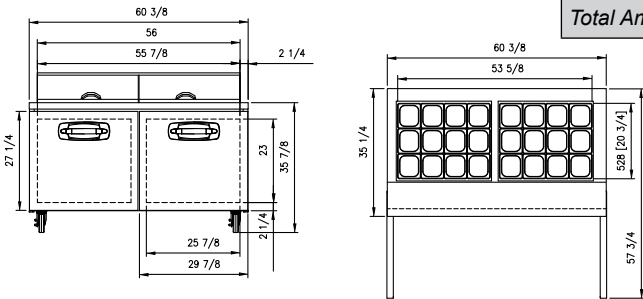
Specifications subject to change without notice.



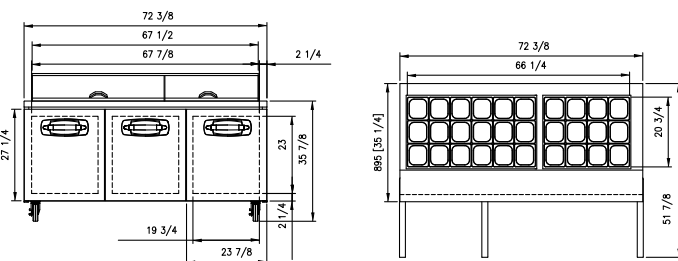
FRONT
NLSMP36-15



FRONT
NLSMP48-18



FRONT
NLSMP60-24



FRONT
NLSMP72-30



Revision Date: 7/20
Part Number: 143381