



QUALITY FOOD SERVICE EQUIPMENT

# SPECIFICATION SHEET

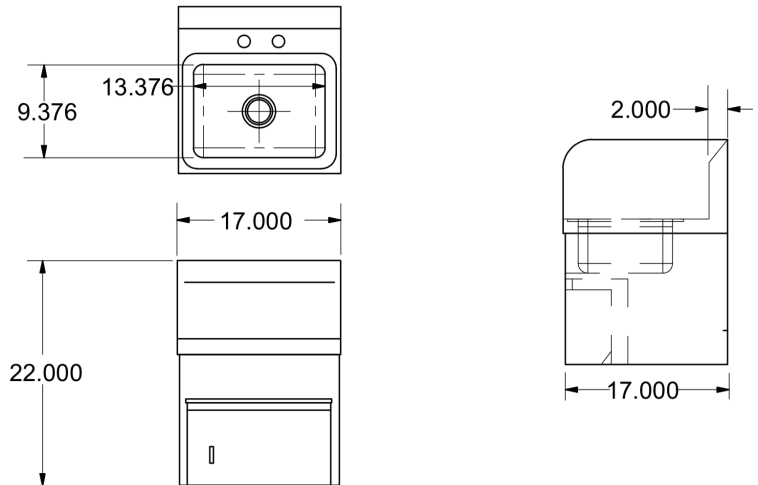
Model #:	_____	Qty:	_____
Project #:	_____		
Consultant:	_____		

## HANDSINK



## DIMENSIONS

deck mount



## MATERIAL

- ◆ 18GA 304 stainless steel fabricated

## FEATURES

- ◆ 2 holes for deck mounting
- ◆ Hand sink with side splashes
- ◆ 1 towel dispenser
- ◆ With one STN -2

Model#	Hand Sink Size
HS2-D2-S	14" X 10" X 5"

(609) 642-8389 | sales@nbrequipment.com | www.nbrequipment.com