



## Rotorbake E11 18T Master Pro

Electrical Supply

Trays	18T 32" x 32", 26" x 36", 32" x 39.4" (80x80, 66x92, 80x100 cm)
Outside dimension	61" W x 88.3" D x 98.6" H (1550 W x 2244 D x 2504 H mm)
Tray distance	3.7" (93 mm)
Power	80 kW
Weight	2314.9 lbs (1050 Kg)
Max temperature	518° F (270° C)
Power supply	230 V ~ 3PH + PE / 230 V ~ 1PH + N + PE 50-60 Hz

### Equipment

BakeAIR multi-fan system	Double low emissive glass	High-performance thermal insulation
USB connection	Five fan speeds and semi-static cooking	Five cooking modes
Automatic chimney opening BakeDRY	Program blocking with password	CE Certificate
Automatic control of dry/steam balance inside the chamber	Steam control in percentage BakeSTEAM	Automatic control of the cooking level and load
Double steamer RotorBake	Multi-timer function for multiple and mixed cooking	Time-programmable steam injection
Manual steam injection	Storage, viewing* and exportation of cooking data (haccp)	Customized programs mode
Manual mode	Preset programs mode	ETL / NSF certification
EAC certification	Automatic preheating	Cooling program
Delayed start programming	Delayed cooking programming	Cooking chamber automatic cooling
Pre-loaded and online cookbook	Automatic detection and errors report	

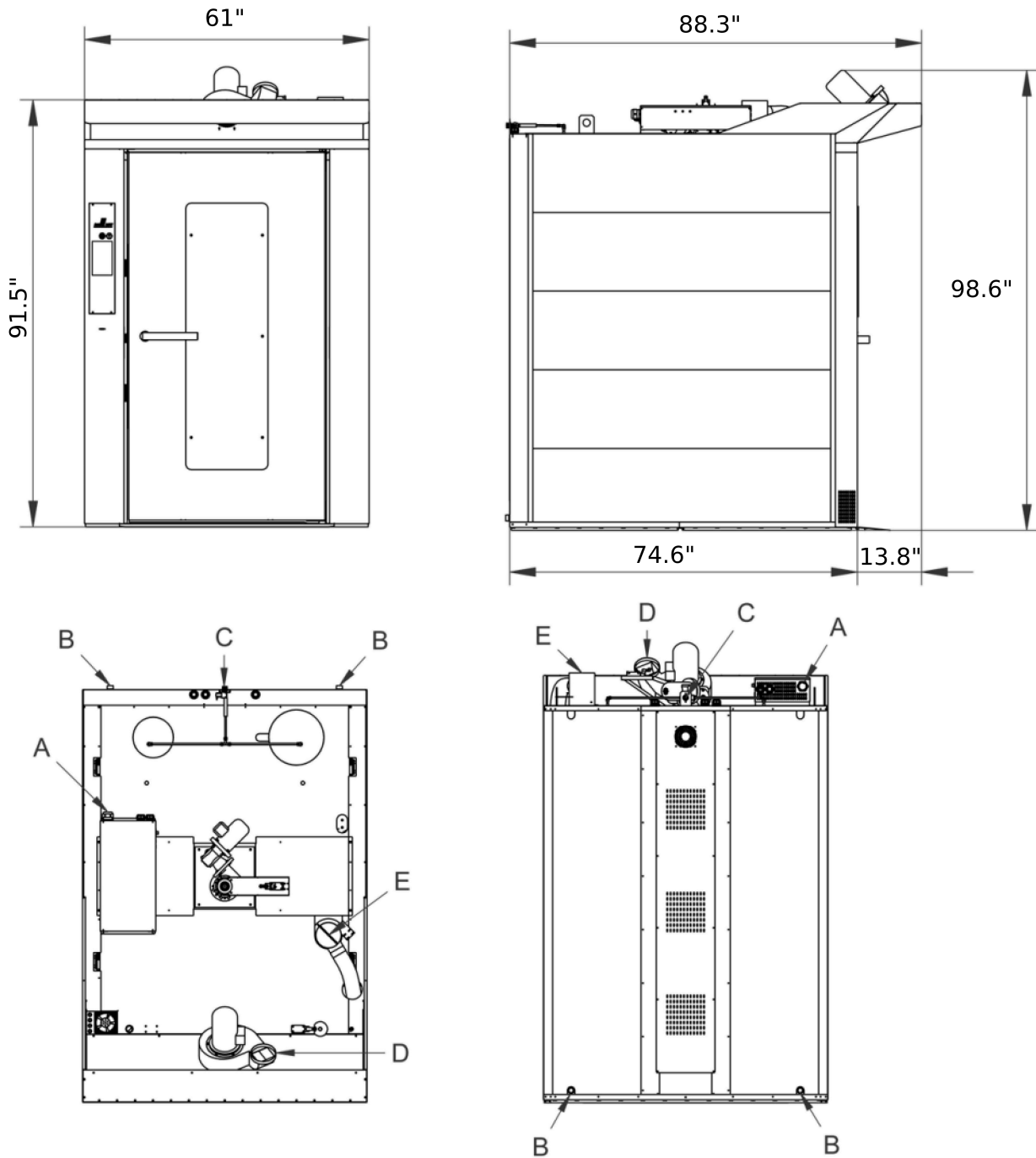
### Options

Ethernet connection and wi-fi set-up BakeNET	S/S external paneling	Double-closing door and double gasket
Rotating platform	Rack automatic lift for Rotorbake	Left door opening



Rotorbake E11 18T Master Pro

Electrical Supply



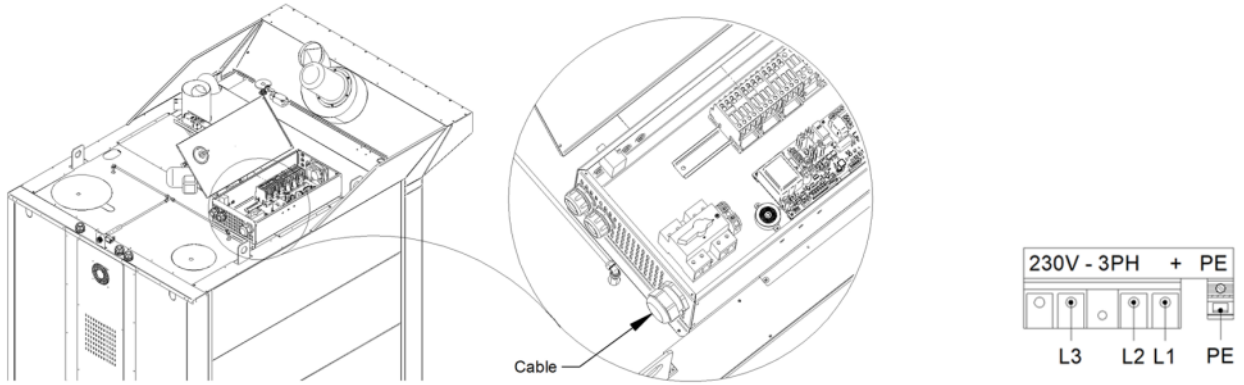
**Legend**

- A - Power supply inlet
- B - Water discharge 1"
- C - Water inlet 3/4"
- D - Extractor hood discharge
- E - Chamber steam discharge Ø 140

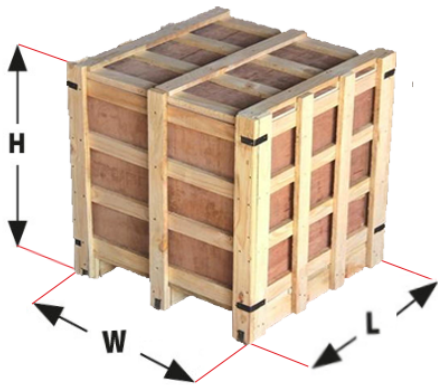
**Rotorbake E11 18T Master Pro**

Electrical Supply

**Supply and Connections**



**Packaging**



Packing size:	<b>65.4" W x 88.6" D x 100.4" H</b> 1660 L x 2250 P x 2550 H mm
Net weight:	<b>2314.9 lbs (1050 Kg)</b>
Gross weight:	<b>2535.3 lbs (1150 Kg)</b>