

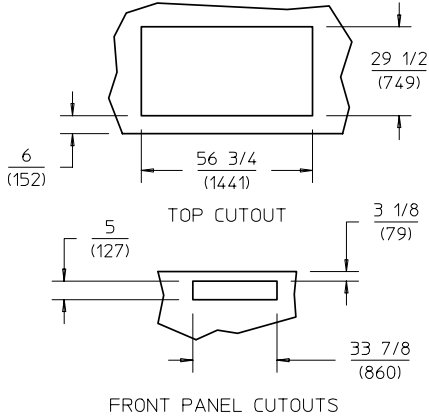
BUILT-IN MODULAR WARMERS

MOD 427TDM W/MANIFOLD

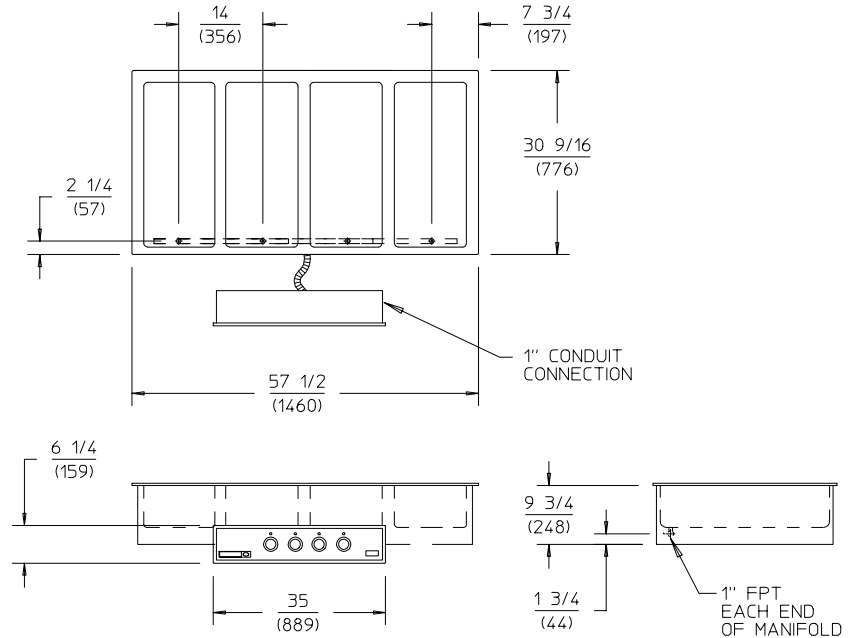
ELECTRICAL

MODEL	VOLTS	WATTS	AMPS PER LINE 3 PHASE			AMPS SINGLE PHASE	FIELD WIRING GAUGE		TEMP. RATING
			L1	L2	L3		3 PHASE	1 PHASE	
MOD-427TDM	208	4960	14.5	14.5	9.8	23.8	12	8	75°C
MOD-427TDM	240	6600	17.8	17.8	11.3	27.5	10	8	75°C

CUTOUT DETAILS



PRODUCT DIMENSIONS



CLEARANCES

MINIMUM CLEARANCE REQUIRED UNIT TO THE NEAREST SURFACE			
BACK	SIDE	BOTTOM	FRONT
1 (25)	1 (25)	6 3/4 (171)	6 (152)

INSTALLATION INSTRUCTIONS

NOTE: MOD-427TDM UNITS ARE SHIPPED THREE PHASE AND ARE FIELD CONVERTIBLE TO SINGLE PHASE. THE DRAIN MANIFOLD WITH 1 INCH INTERNAL FPT IS SUPPLIED WITH THE UNIT.

INSTALLER MUST MEET CONDITIONS OF ACCEPTABILITY OUTLINED BELOW UPON INSTALLATION:

- Required Installation Clearances:
Wooden and Metal Installation: DO NOT install closer than 6 inches to front wall, 1 inch to back and side walls, and 6 3/4 inches to surface below the unit.
- Unit shall be accessible for servicing from the bottom.
- If storage is to be used underneath the unit, it is recommended that a baffle be placed 8 1/2 inches below the unit to avoid contact with elevated temperatures.

TO FABRICATE:

- Lay out "cutout" dimensions on countertop and front apron.
- Lay out and fabricate control panel holes in counter apron using the control box as a template.
- Cut out holes (Note: "stiffening" around perimeter of countertop cutout is not normally required).

TO INSTALL:

IMPORTANT - DO NOT disconnect lead wires from the Master Control Panel when making installation.

- Tilt and pass Control Panel and electrical box through the countertop cutout, then through the apron cutout. Lower modular section into countertop cutout and position. RECOMMENDATION: Before final seating of modular section to countertop, apply a bead of silicone adhesive/sealant to the supplied gray gasket material on the underside of the mounting flange.
- From underneath, insert screwdriver into slots in the Wellstock frame and twist the ears outward (clockwise) as required to secure flange tightly to countertop.
- Mount Control Box to apron cutout as shown in drawing.
- Mount Control Panel onto the electrical box using the screws supplied.
- Remove any excess gasket or sealant material from the outer flange.

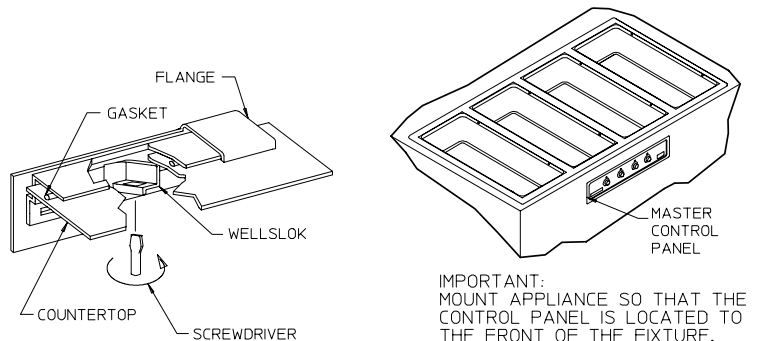
TO PLUMB:

- A drain manifold complete with valve is supplied on all Model 'TDM' units. Location of valve handle is at the discretion of the fabricator (see drawing).
- Connect 1" drain connection to a suitable drain line.

TO WIRE:

- Final connection is accomplished by bringing proper power supply leads (see 'WIRING REQUIREMENTS label') through 1" conduit knockout to terminal block supplied within the Master Control Panel. Check nameplates for voltage and phase.

NOTE: INSTALLATION MUST MEET LOCAL PLUMBING AND ELECTRICAL CODES.



IMPORTANT: MOUNT APPLIANCE SO THAT THE CONTROL PANEL IS LOCATED TO THE FRONT OF THE FIXTURE.