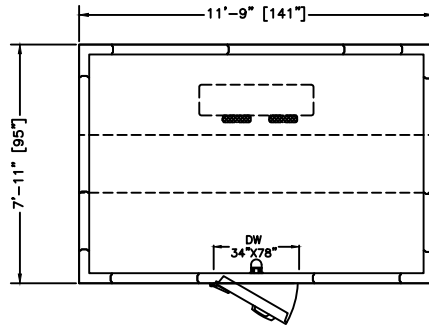
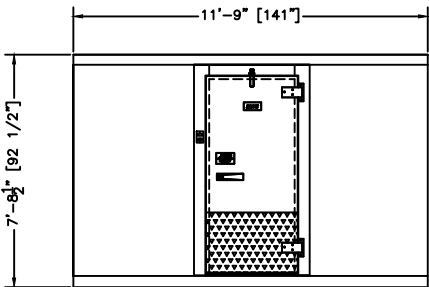


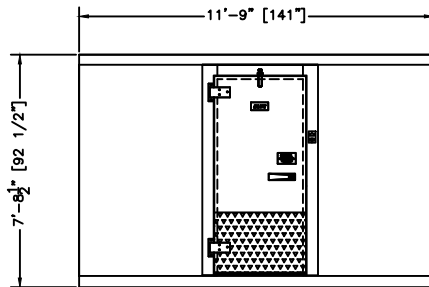
**PLAN VIEW**  
RIGHT HINGE  
SELECT



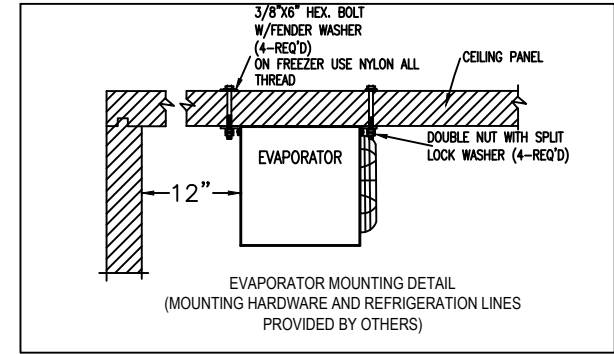
**PLAN VIEW**  
LEFT HINGE  
SELECT



**ELEVATION**  
RIGHT HINGE



**ELEVATION**  
LEFT HINGE



**REFRIGERATION DESIGN SPECIFICATIONS**

WALK-IN AMBIENT TEMP:	90°F
CONDENSER AMBIENT TEMP:	95°F
PULLDOWN:	24 Hours
HOLDING TEMP:	35°F
OPENINGS PER HOUR:	2
REFRIGERATION LINE MAX LENGTH:	40FT (PROVIDED BY OTHERS)

**PRODUCT SPECIFICATIONS**

MODEL:	BL128-CF-R
--------	------------

**WALK-IN SPECIFICATIONS**

INTERIOR/EXTERIOR FINISH	26 GAUGE MILL EMBOSSED ACRYLUME OR 26 GAUGE STUCCO EMBOSSED GALVANIZED STEEL
ELECTRICAL (VOLTS/Hz/PH)	115/60/1
MAX AMP.	0.8

**EVAPORATOR SPECIFICATIONS**

ELECTRICAL (VOLTS/Hz/PH)	115/60/1
AMPS	20
WEIGHT (LBS)	44

**CONDENSING UNIT SPECIFICATIONS**

ELECTRICAL (VOLTS/Hz/PH)	208-230/60/1
AMPS	15
WEIGHT (LBS)	195

**WALK-IN AND REFRIGERATION FREIGHT**

TOTAL SHIPPING WEIGHT (LBS)	2063
MAXIMUM PALLET SIZE	48" X 96" X 102" HIGH
NUMBERS OF PALLETS	2

MODEL: BL128-CF-R

INDOOR-WITH FLOOR

COOLER 35°F

REMOTE PRE-ASSEMBLED REFRIGERATION

CUSTOMER APPROVAL

DATE: \_\_\_\_\_

SIGNATURE: \_\_\_\_\_

**CONFIDENTIAL**

THE DRAWINGS, TECHNICAL DATA, AND ALL OTHER INFORMATION SET FORTH IN THIS DOCUMENT COMPRISE TRADE SECRETS AND CONFIDENTIAL INFORMATION THAT IS THE EXCLUSIVE PROPERTY OF ARCTIC INDUSTRIES, LLC.

USE OF SUCH INFORMATION IS LIMITED TO THE PURPOSE FOR WHICH IT WAS PROVIDED AND NO RECIPIENT IS PERMITTED TO USE, COPY, OR DISCLOSE SUCH INFORMATION EXCEPT AS EXPRESSLY AUTHORIZED BY ARCTIC INDUSTRIES, LLC.

**Arctic**  
WALK-IN COOLERS AND FREEZERS  
MIAMI, FLORIDA  
Phone: (305) 883-5581  
LOS ANGELES, CALIFORNIA  
Phone: (626) 508-0920

ETL US  
Intertek  
CONFIDENTIAL TO UL STD #11

ETL  
Intertek  
CONFIDENTIAL TO NSF STD #1

EISA