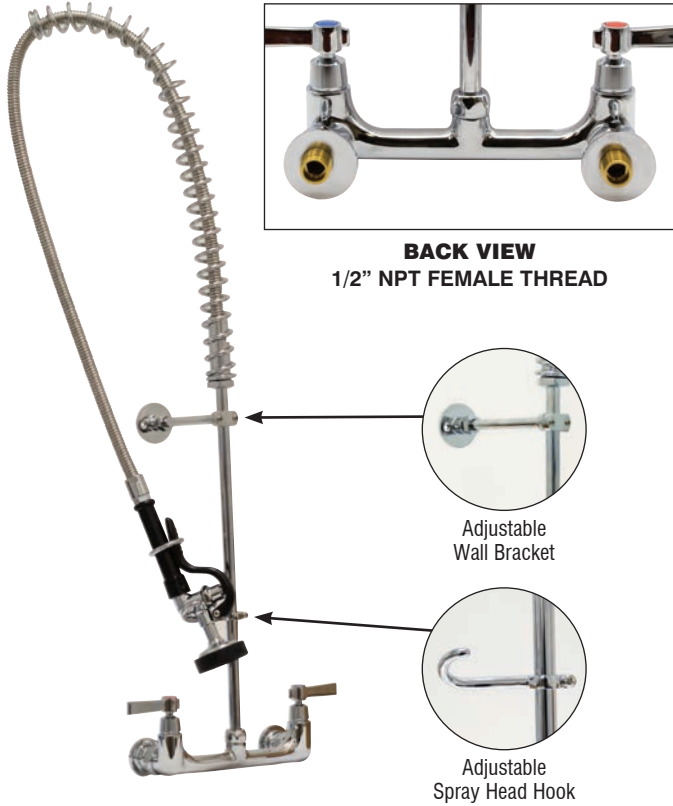




DTA-53 SPLASH MOUNT PRERINSE FAUCET

Conforms To NSF 61/9 Lead Free Requirements

Item #: _____ Qty #: _____
 Model #: _____
 Project #: _____



FEATURES:

- 8" O.C. water supply.
- Quarter-turn wedge style handles.
- Colored hot & cold indexes.
- Spray head with continuous water flow ring.
- Heavy duty hose spring.
- Wall mount bracket.
- Adjustable spray head hook.

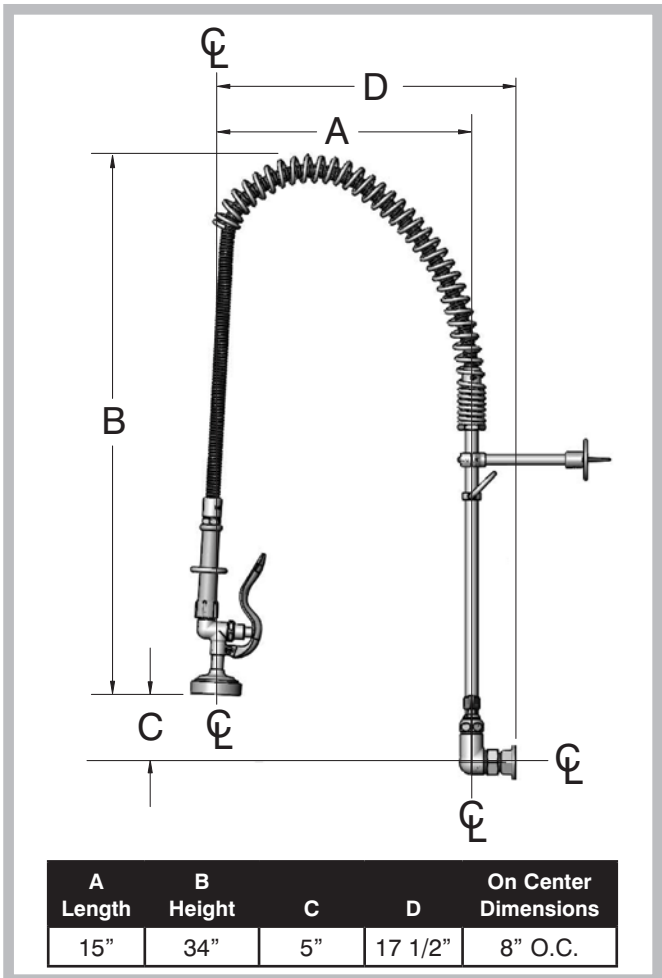
MATERIAL:

- Brass chrome plated body.
- Chrome plated handles.



Click This Link To View Assembly Sheet

DIMENSIONS and SPECIFICATIONS



Options & Accessories

Replacement Hose

Handle Not Included.

K-113



Replacement Spray Head and Handle

K-114



12" Add-A-Faucet For DTA-53 Prerinse Faucet

K-117



WARNING:

Faucet(s) on this page may expose you to chemicals, including lead, that are known to the State of California to cause cancer or birth defects or other reproductive harm. For more Info., visit www.p65warnings.ca.gov.



Customer Service Available To Assist You **1-800-645-3166** 8:30 am - 7:00 pm E.S.T.

For Orders & Customer Service:

Email: customer@advancetabco.com or Fax: 631-242-6900

For Smart Fabrication™ Quotes:

Email: smartfab@advancetabco.com or Fax: 631-586-2933