



## HEARTHBAKE SERIES COUNTERTOP ELECTRIC OVENS

### SERIES: P48S & P48BL



Bakers Pride® P48 series ovens features two independently controlled baking chambers, each with one deck in your choice of Cordierite (7" height) or brick-lined Cordierite (7.5" height). The greater deck height allows you to accommodate taller bake and roast items. The brick-lined model adds a Cordierite ceiling, which offers the benefit of increased temperatures and recovery time. They may be easily installed at the factory or in the field.

Each chamber has an independent thermostat and 60-minute electric timer with continuous-ring alarm and manual shut-off. All models comes standard with stainless steel exterior and 4" adjustable legs. International voltages are available.

#### FEATURES AT A GLANCE

- 208 V or 220/240 V @ 4300 watts, single or three phase
- Independent top and bottom controlled incoloy heating elements
- 150–500°F (65–288°C) thermostat
- Two high-heat, fully welded, aluminized steel baking chambers
- Two 20.75" (527 mm) sq. decks
- 7" (178 mm) or 7.5" (191 mm) deck height
- Cordierite or brick-lined
- Two 60-minute, electric timers with continuous-ring alarm and manual shut-off
- All stainless steel exterior
- 6' (1829 mm) cord and plug on single-phase units
- 4" (102 mm) adjustable legs
- Fully insulated
- One-year limited warranty

#### OPTIONS & ACCESSORIES

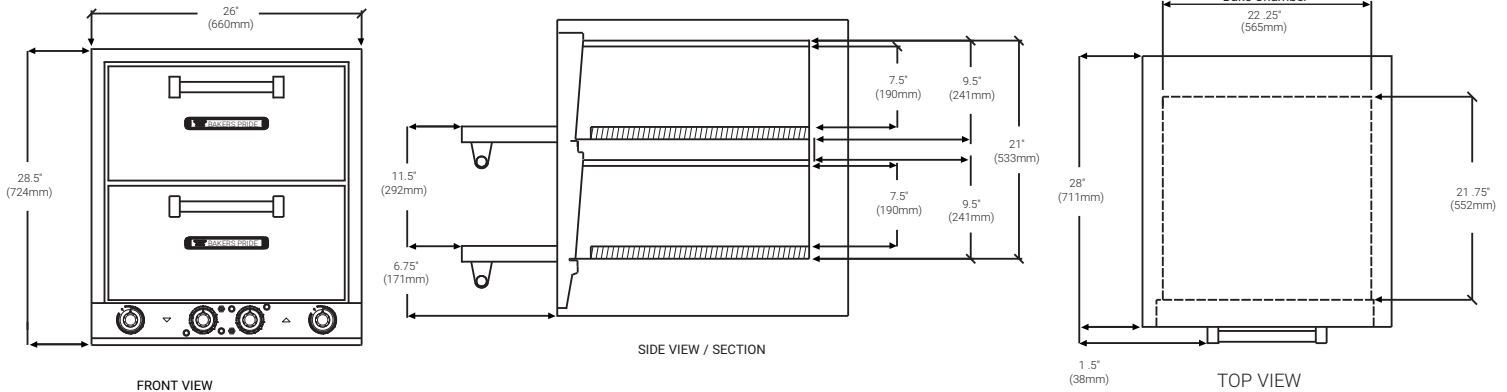
- Stainless steel stand with or without casters
- International voltages
- Stacking kits
- Brick-lined conversion kit (standard on P48BL)
- Steel decks
- Lightstone decks
- Glass windows in door(s)



# HEARTHBAKE SERIES COUNTERTOP ELECTRIC OVENS

## SERIES: P48S & P48BL

### EQUIPMENT DIMENSIONS



### MECHANICAL SPECIFICATIONS

Model #	Overall Dim (W x H x D)*	Deck Height	Deck Size (W x D)	Decks	Baking Chambers	Thermostat Range	Carton Dim (W x H x D)	Cubic Feet	Cubic Meter	Ship Wt.
P48S	26" x 28.5" x 28" (660 x 724 x 711)	7.5" (191)	20.75" x 20.75" (527 x 527)	2	2	150°-550°F (66-288°C)	30" x 32" x 32" (762 x 813 x 813)	17.7	.51	278 (126kg)
P48BL	26" x 28.5" x 28" (660 x 724 x 711)	7" (178)	20.75" x 20.75" (527 x 527)	2	2	150°-550°F (66-288°C)	30" x 32" x 32" (762 x 813 x 813)	17.7	.51	288 (131kg)

\*Height excludes legs

### POWER SUPPLY

Model #	Watts	Voltage	Phase	Amps	Plug Style			
					USA	Canada	UK	Europe
P48S & P28BL	4300	208	1, 3	20.7		6-30P		
		220/240	1, 3	18.7				

### REQUIRED CLEARANCES

Left 3" (76 mm)  
 Right 3" (76 mm)  
 Back 3" (76 mm)

In European Community Countries and North America. In NON-COMBUSTIBLE locations only.

In European Community Countries only in COMBUSTIBLE locations. NOT for North America.



6-30P

Bakers Pride Oven Company, LLC is a wholly owned subsidiary of Standex International Corporation.

Bakers Pride reserves the right to modify specifications or discontinue models without incurring obligation. Dimensions nominal.



Freight Class: 110  
 FOB: Allen, 75013

11.13.2017

