

# Fusion

GP Combination Prep Case

Structural Concepts®

DELIVERING FRESH. ALWAYS.™

(Lengths do not include 1-1/8" end panels)

- **GP441RRLB** 48-3/4"L x 52-1/4"D x 55-3/8"H
- **GP541RRLB** 60-5/8"L x 52-1/4"D x 55-3/8"H
- **GP641RRLB** 73-1/8"L x 52-1/4"D x 55-3/8"H
- **GP841RRLB** 97-1/2"L x 52-1/4"D x 55-3/8"H
- **GP1041RRLB** 121"L x 52-1/4"D x 55-3/8"H

## Included

- 12" & 16" Solid shelving
- Integrated average product temperature of 40°F or less
- LED top & shelf lights
- One year parts & labor warranty
- Refrigerated rear storage
- Remote DX refrigeration
- Sanalite® cutting board
- Stainless steel rear exterior



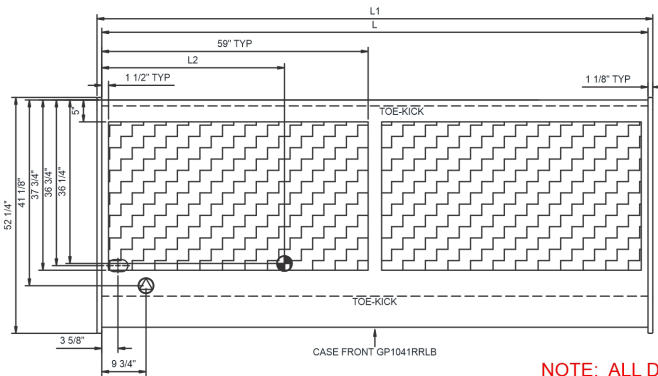
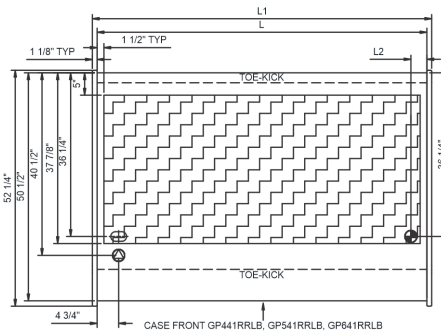
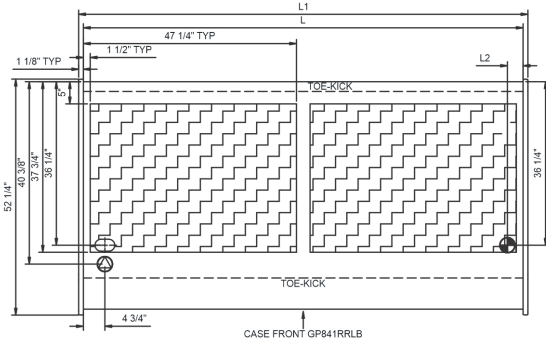
GP641RRLB

Specify	Standard Features	Additional Options
<b>EXTERIOR COLOR</b>	• Laminate (stock colors)	• Laminate (non-stock colors) • Powder coated (stock/non-stock colors) • Powder coated Silversan Black • Stainless steel
<b>INTERIOR COLOR</b>	• Powder coated Silversan Black	• Stainless steel
<b>LOWER FRONT PANEL COLOR</b>	• Powder coated Silversan Black	• Powder coated (stock/non-stock colors) • Stainless steel
<b>BASE SUPPORT</b>	• Rail system for shims (remote)	
<b>BUMPER FRONT</b>	• 1" Boston bumper (specify color)	• 1" Stainless steel plate rail bumper
<b>END PANEL PROFILE</b>	• Curved	• Flat angled
<b>END PANELS</b>	• Full w/stainless steel mirror interior	• None (specify per line-up)
<b>CONDIMENT PANS</b>	• None	• 1/6 size stainless steel pans w/ lids
<b>PRICE TAG MOLDING</b>	• None	• 1" Price tag molding (black or silver) • Universal price tag molding (clear w/ open top)
<b>SNEEZE GUARD</b>	• Clear glass w/ stainless steel ADM posts	• Frameless clear glass
<b>LIGHTS</b>	• LED 3500K w/ frosted lens	• LED 4000K w/ frosted lens
<b>NOSE LIGHTS</b>	• None	• LED nose light
<b>ELECTRICAL CONNECTION</b>	• Electrical leads (remote)	
<b>REFRIGERATION</b>	• Remote DX refrigeration	• Remote w/thermostat, solenoid & TXV
<b>SENSOR</b>	• None	• CPC discharge air sensor (remote)
<b>ACCESSORIES</b>		• Drain strainer • Night curtain, retractable, non-locking • Removable wire security cover, locking

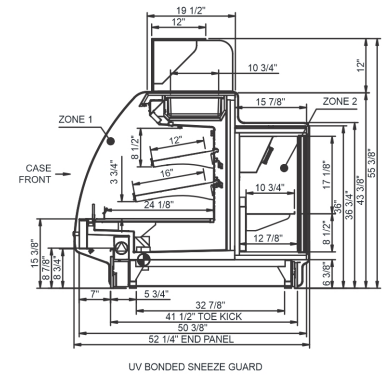
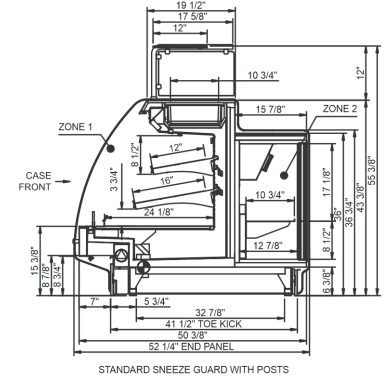
**Intended Environment:** Type I - Designed to operate in ambient conditions of 75°F with 55% relative humidity unless noted otherwise in system information below.

Zone	Intended Product To Be Displayed	Warmest Avg Prod Temp ° F
1	Packaged / unpackaged refrigerated products	40

### PLAN VIEW



### SIDE VIEW



**NOTE: ALL DIMENSIONS APPROXIMATE**

- ELECTRICAL JUNCTION BOX (SUPPLIED WITH 6" LEADS OR POWER CORD).
- LOCATION OF DRAIN TUBE FOR REMOTE REF. ONLY (SUPPLIED WITH 3/4" OR 1 1/2" PVC TUBE).

- REFRIGERATION LINE CONNECTION.
- REMOTE FLOOR SINK & UTILITIES ACCESS AREA.

- SELF-CONTAINED CASE SERVICE ACCESS AREA.
- DRY CASE SERVICE ACCESS AREA.

### Model Technical Specifications

Model	L"	L1"	L2"	System Circuit Volts		Phs	Freq	Amps ***	Watts	Wires	NEMA Plug	SST	Conv. Rack BTUH	Para. Rack BTUH	Est Wt	
				Circuit #1	110-120											
GP441RRLB	48.75	51.00	3.50	Remote (GLYCOL 35%)	Circuit #1	110-120	1	60	3.27	266	2+G	Leads Multiple	20.00	5184	4800	700
				Remote (R404A)	Circuit #1	110-120	1	60	3.27	266	2+G	Leads Multiple	20.00	5184	4800	
GP541RRLB	60.63	62.88	3.50	Remote (DX)	Circuit #1	110-120	1	60	5.27	308	2+G	Leads Multiple	20.00	6091	5640	1,000
				Remote (GLYCOL 35%)	Circuit #1	110-120	1	60	4.47	303	2+G	Leads Single	20.00	6091	5640	
GP641RRLB	73.13	75.38	3.50	Remote (DX)	Circuit #1	110-120	1	60	4.06	212	2+G	Leads Multiple	20.00	7603	7040	1,375
				Remote (R744 TRANSCRIT)	Circuit #1	110-120	1	60	4.76	212	2+G	Leads Multiple	20.00	7603	7040	
GP841RRLB	97.50	99.75	3.50	Remote (DX)	Circuit #1	110-120	1	60	5.86	656	2+G	Leads Multiple	20.00	10109	9360	1,400
				Remote (GLYCOL 35%)	Circuit #1	110-120	1	60	5.86	656	2+G	Leads Multiple	20.00	10109	9360	
GP1041RRLB	121.00	123.25	40.50	Remote (DX)	Circuit #1	110-120	1	60	7.97	373	2+G	Leads Multiple	20.00	9504	8800	2,000

\*\*\* Does not include electric defrost on freezer models.

#### Regulatory Approvals:

All Models  
 Accordance with AHRI Std 1200  
 ETL Listed to UL 471  
 ETL Listed to CAN/CSA 22.2 No. 120  
 ETL Sanitation to NSF/ANSI 7



In Accordance with  
**AHRI Std 1200**

**DOE 2017**  
 Energy Efficiency  
 Compliant

#### Important Notes:

- 1) ELECTRICAL NOTE: If GFCI is required, a GFCI breaker MUST be used in lieu of a GFCI receptacle.
- 2) 55" minimum door entry clearance required (without shipping skid).
- 3) Units must be shimmed during installation to ensure unit is level and plumb.
- 4) Pans are not supplied with unit.

**⚠ WARNING:** This product can expose you to chemicals, including Urethane (Ethyl Carbamate), which are known to the State of California to cause cancer and birth defects or other reproductive harm. For more information go to [www.P65Warnings.ca.gov](http://www.P65Warnings.ca.gov).