

ITEM #: _____ QTY: _____
 MODEL #: _____
 PROJECT NAME: _____

031618

3601 S. Banker St. Effingham, IL 62401 • P.O. BOX 609 • Ph: (888) 431-2667 • Fax: (800) 433-2667

"EUBDS-1221" UNDERBAR DUMP SINK

FEATURES:

- FABRICATED 18 GAUGE STAINLESS STEEL SINK BOWL.
10" X 14" X 6" DEEP BOWL
- 4" ON-CENTER DECK MOUNT FAUCET HOLES
- FAUCET NOT INCLUDED
- INCLUDES 1-7/8" DRAIN WITH BASKET
- RAISED MARINE EDGE ON FRONT AND SIDES
- STAINLESS STEEL LEGS WITH ADJUSTABLE BULLET FOOT

MATERIAL:

- TOP: 18 GAUGE TYPE 300 STAINLESS STEEL WITH #4 POLISH, SATIN FINISH
- BODY: 18 GAUGE TYPE 300 STAINLESS STEEL WITH #4 POLISH, SATIN FINISH
- LEGS: STAINLESS STEEL WITH ADJUSTABLE BULLET FOOT
- LEGS: STAINLESS STEEL
- FEET: PLASTIC

CONSTRUCTION:

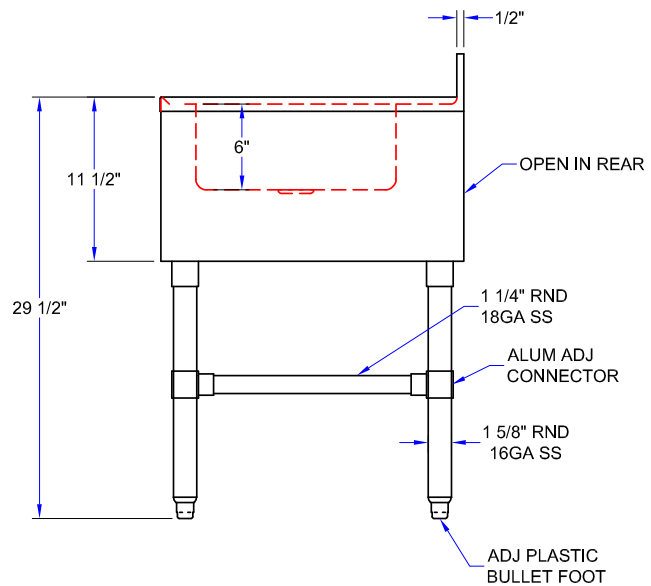
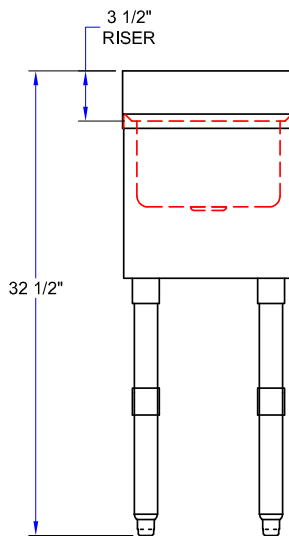
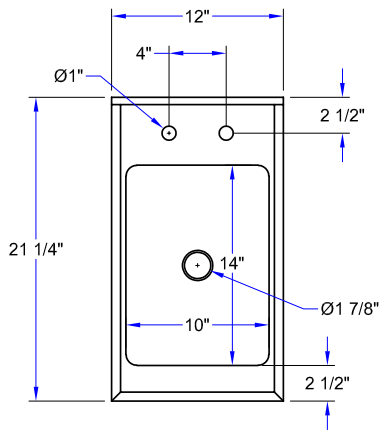
- TOP: STAINLESS STEEL TOPS ARE TIG WELDED, EXPOSED WELDS ARE POLISHED TO MATCH ADJACENT SURFACE #4 POLISHED, SATIN FINISH



EUBDS-1221

"EUBDS-1221" UNDERBAR DUMP SINK

MODEL #	QTY
EUBDS-1221	



"EUBDS-1221" UNDERBAR DUMP SINK

MODEL #	LENGTH	WIDTH	HEIGHT	WT. (LBS)
EUBDS-1221 *	12"	21"	29-1/2"	32

WEIGHTS ARE SUBJECT TO ADDITIONAL PACKAGING

SOME UNITS SHIP UNASSEMBLED FOR REDUCED SHIPPING COST. ALL DIMENSIONS ARE TYPICAL. TOLERANCE +/- .500"
 John Boos & Co. is constantly engaged in a program of improving products and therefore reserves the right to change specifications without prior notice.



3601 S. Banker St. • Effingham, IL 62401 • PO BOX 609 • quotes@johnboos.com

www.johnboos.com

031618

19