

Inferno Series Revolving Oven GW 140 Cupola

High temperature pizza oven. Cooking range is from 650f - 900f
Rotating Floor, Gas Temperature Control' Wood Burning

- Glass fire view window
- Granite ledge
- Steel night cover door
- Dome finish
- Automatic ignition control
- Rotating floor
- Electric floor heat
- Adjustable floor speed
- Ash clean-out draw
- Custom tile finish available
- Installation through any 36" doorway



| Hearth Size: 55" | |
|------------------|----|
| 12" Pizzas | 14 |
| 16" Pizzas | 6 |

| | | |
|--|-----------------------|--|
| MODEL | 140 Inferno Series GW | |
| ITEM # | | |
| | | |
| <p>CONFORMS TO UL 737 / 2162, ANSI STD Z83.311 CONFORMS TO NSF / ANSI STD 4 CERTIFIED TO CSA STD 1.8ULC/ORDSTDC2162 FOR FOOD SERVICE EQUIPMENT TESTED AND APPROVED FOR UL 737 DIRECT VENT.</p> | | |

WEIGHT: 5000 lbs.
Depth 83" Width 83" Height 88"

All ovens are installed by a factory representative only on location

FOR DIRECT VENTING: It is never appropriate to use "B vent" in any part of an exhaust system connected to your oven. All duct material must be manufactured to the following specifications: UL1978 and/or UL 2221 - NFPA 96 and the International Mechanical Code.

Inferno Series Revolving Oven GW 140 Cupola



This is a wood/gas combination oven and must be vented as a "solid fuel" appliance. Due to the possibility of sparks entering the system, exhaust systems serving solid fuel equipment must be vented separately from other non-solid fuel equipment. The duct serving this oven should be inspected at least twice a month during the first two months of operation, to establish rate of creosote or any buildup and necessary cleaning schedule. Venting should have clean-out doors according to code. Submit venting plans to your local authorities before proceeding with your installation, as there may be additional requirements in your area.

Manufacturer venting recommendations:

DIRECT VENT: Use an 10" interior grease duct connection pipe. Direct venting connection can be used with a power ventilator. Follow all manufacturers' instructions on venting pipe construction and installation.

Direct vent manufacturers: www.duravent.com

Exhaust fans must be high-temperature rated. Fan must be mounted at the end of the flu pipe and controlled with a variable speed control switch.

FAN RECCOMENDATIONS [visit www.enervex.com](http://www.enervex.com)

- Enervex GVS012 -016: High-temperature pizza fans
- Dilution bolts for fan mounting
- Variable fan speed control.
(To balance air-flow and set for proper venting velocity)
- CFM: 450
- Call for free design consultation

Inferno Series Revolving Oven GW 140 Cupola



10" CIX3Z (3" INSULATION)
304/GALVALUME

| ITEM NO. | QTY | PART NUMBER | DESCRIPTION | MATERIAL |
|----------|-----|-----------------|---------------------------------|---------------|
| 1 | 1 | CIX3Z-10RFHAC | 10" Dia. Flanged Hood Adaptor | 304 |
| 2 | 1 | CIX3Z-10T90CE | 10" Dia. Tee w/ 10" Tap | 304/Galvalume |
| 3 | 1 | CIX3Z-10E90CE | 10" Dia. 90° Degree Elbow | 304/Galvalume |
| 4 | 2 | CIX3Z-10LVCE | 10" Dia. Variable Length | 304/Galvalume |
| 5 | 1 | CIX3Z-10FANCE | 10" Dia. Fan Adaptor | 304/Galvalume |
| 6 | 1 | CIX3Z-10NTTCCCE | 10" Dia. No Tool Access Tee Cap | 304/Galvalume |
| 7 | 1 | CIX3Z-10L36CE | 10" Dia. 36" Length | 304/Galvalume |
| 8 | 1 | CIX3Z-10L24CE | 10" Dia. 24" Length | 304/Galvalume |
| 9 | 2 | CIX3Z-10HARP | 10" Dia. Half Angle Ring | 439 |
| 10 | 2 | S-650 | Sealant | - |

| | | | |
|--|-----------------|--------------|---|
| JOB NAME | PIZZA OVEN VENT | PROJECTS | - |
| COMPANY | NY BRICK OVENS | REVISION | - |
| <small>UNITS are Inches Tolerances Finishes Annotations Scale Auto - 1/8" = 1'-0" Annotate - 1/8" = 1'</small> | DRAWN BY | - | |
| | DATE | - | |
| | SHEET# | Sheet 1 of 1 | |

PROJECT FOLDER

CLEARANCES

Install the oven with a minimum 2" clearance on all sides from any combustible material.

Noncombustible materials can only be used for façade at the front of the oven.

There must be 24" clearance from the top of the oven to combustible materials.

Follow all local codes for venting as well as venting manufacturers' installation specifications.

Submit all plans for approval before installation of any venting.

UTILITIES

½" NPT connection - use ½ Lb. PSI regulator and shut-off valve before oven connection.

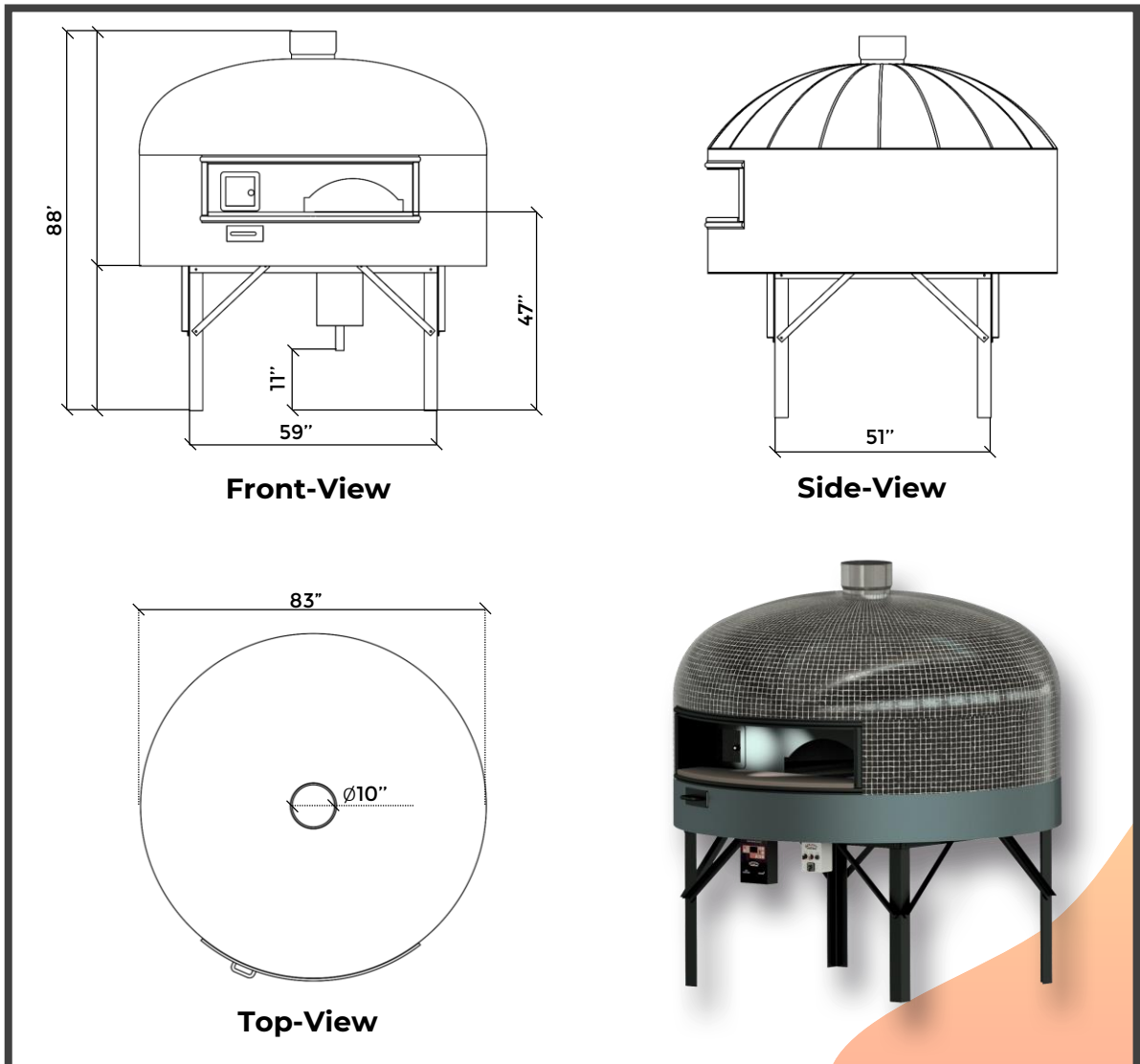
116,000 BTU Natural Gas (max) 177,000 BTU Propane (max)

Inferno Series Revolving Oven GW 140 Cupola



ELECTRICAL SUPPLY

- (1) 115v-15amp outlet with proper grounds and (1) 208-240V 20-amp single-phase line. Plug receptacle type: NEMA 6-20 Max Load 13.5-amp 230v 115v 1.5 amps. Recommendation: Install separate electrical lines to prevent any overload or surge. Surge protection outlets are recommended.
- (2) Electrical Code Limitations: This appliance must be electrically grounded in accordance with local codes, or in the absence of local codes, with the National Electrical Code, ANSI/NFPA 70. Follow all local codes and submit all plans for approval as required by your municipality.



Inferno Series Revolving Oven GW 140 Cupola



Wood Burning Ovens must be built on noncombustible floor. The Floor must expand 36" from the front of oven and 24" from all sides. Check Weight load and always submit plans for all approvals.

Warning

You Must Remove "Night Door" whenever igniting the oven or operating the oven. Do Not Operate or start oven with steel door closed ever. Only use the door at nights end to keep heat in. Read Operators Manual before using oven for first time. Following curing procedures. Follow all curing instructions prior to cooking in oven. Use Minimum flame setting for 2 days on low setting only 8 hours per day. Use dry seasoned hard wood only in wood chamber

