

**TM A***Continuous-feed Food Processor***TM A**

- Stainless steel and aluminum construction
- Convenient continuous-feed operation
- 300 RPM plate speed from a powerful 3/4 Hp fan-cooled motor
- Ideal speed and precise cut to reduce oxidation for better results and longer shelf life
- Up to 500 Lb. of fresh produce per hour
- Double Interlock on feed hopper and product pusher for a safe and continuous-feed operation
- Interlocked cover and pusher, preventing the machine from operating if lid is not in place.

Features**Technical:**

- Ideal plate speed, the blades do not damage the product, giving it attractive and unblemished shape
- Product drops directly in the collecting container without being pushed out, preserving its shape.
The ejector blade avoids the accumulation of food inside the disc slot
- Slotted drop-in drive
- Two feed chutes for different sized-products
- The wide selection of cast-aluminum discs and grids feature hardened and stainless steel knives
- Feed hopper designed also to continuously process long and/or thin products

Safety:

- One interlock stops the machine when the lever is lifted.
- A second interlock prevents the machine from starting if cover is not in place.

Sanitary:

- The stainless steel and aluminum construction is easy to clean, do not stain or crack.
- The design allows for easy accessibility and cleanability.
- The food ejector blade is removable for cleaning of the disc place.
- Easy disc removal for quick and accurate cleaning.

RANGE**TM A - Unit only, please choose plates, refer to list****TM A3 3-pack plates:**

- DF1 1/16" (1mm) slicer
- DF4 5/32" (4mm) slicer
- DT3 1/8" (3mm) shredder

TM A6 6-pack plates:

- DF1 1/16" (1mm) slicer
- DF4 5/32" (4mm) slicer
- DF5 3/16" (5mm) slicer
- DF10 3/8" (10mm) slicer
- DT3 1/8" (3mm) shredder
- PS10 3/8" (10mm) dicer - use with DF10 slicer

Specifications**Operation:**

Continuous feed, cut product drops into the container by gravity. Base is polished aluminum, motor shell is stainless steel.

Construction:

Aluminum with stainless steel blades.

Discs:**Hopper opening sizes:**

Main opening is semi-round with maximum dimensions of 6 1/4" x 3" (160 mm x 76 mm). Feed-opening for long-shaped products has a 2" (50 mm) diameter.

Yield:

350 to 500 Lb. per hour (depending of product being processed)

Motor:

0.75 Hp (515W), belt-driven, fan cooled, with thermal circuit breaker.

Electrical:

120V AC, 60Hz, 4.29 Amp. (220V, 50Hz available on request).

Plug & Cord:

Attached, flexible, 3 wire SJT AWG 16, 6'4" long.

Controls:

Rocker thermal circuit breaker with undervoltage.



Certified to UL Standard 763 and NSF Standard 08
 Certified to CSA Standard C22.2

Available discs



Slicing

Model NO.	Thickness	Recommended use
DF 1	1/16"	Carrots, onions, mushrooms, cucumbers and other
DF 2	5/64"	Carrots, onions, mushrooms, cucumbers and other
DF 3	1/8"	Carrots, onions, mushrooms, cucumbers and other
DF 4	5/32"	Carrots, onions, mushrooms and other
DF 5	3/16"	Tomato and ripe vegetables
DF 8	5/16"	Carrots, onions, mushrooms, cucumbers and other
DF 10	3/8"	Carrots, onions, mushrooms, cucumbers and other
DF 14	9/16"	Carrots, onions, mushrooms, cucumbers and other

Julienne

DQ 4	5/32"	Carrots, potatoes, zucchini and other
DQ 6	7/32"	Carrots, potatoes, zucchini and other
DQ 8	5/16"	Carrots, potatoes, zucchini and other
DQ 10	3/8"	Carrots, potatoes, zucchini and other

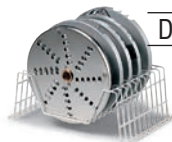
Grating & Shredding

DTV	1/16"	Hard cheeses, dry fruit, bread
DT 2	5/64"	Mozzarella, cheddar, vegetables
DT 3	1/8"	Mozzarella, cheddar, vegetables
DT 4	5/32"	Mozzarella, cheddar, vegetables
DT 7	9/32"	Mozzarella, cheddar, vegetables
DT 9	11/32"	Mozzarella, cheddar, vegetables

Dicing

PS 8	5/16"	Potatoes and similar (works with DF 8)
PS 10	3/8"	Potatoes and similar (works with DF 10)
PS 14	19/16"	Potatoes and similar (works with DF 14)
PS 20	13/16"	potatoes and similar (works with DF 14)

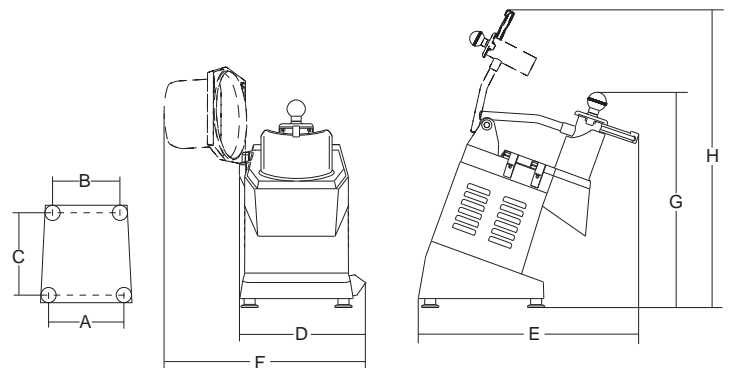
DISC HOLDER RACK Holds up to 5 discs



Discs holder



Chute for continuous product ejection, with safety microswitch.



	Power	Power source	Disc revolutions	A	B	C	D	E	F	G	H	Net weight	Shipping	Gross weight
	watt/Hp		r.p.m.	inch.	inch.	inch.	inch.	inch.	inch.	inch.	inch.	lbs.	inch.	lbs.
TM A	515/0,7	120V AC, 60Hz, 4.29 Amp	300	8 ⁷ / ₈ "	7 ¹¹ / ₁₆ "	10 ¹ / ₁₆ "	11"	20 ¹ / ₁₆ "	15 ³ / ₄ "	20 ¹ / ₁₆ "	30 ⁵ / ₁₆ "	50	29" x 14" x 20"	57
TM A 3														62
TM A 6														66