

## So...how do I use it?

### Preprogrammed Pads

To cook food using preprogrammed cooking sequences.

1. Place food in oven. Close door.
2. Press desired pad.
3. Oven begins to cook.
4. At end of cooking cycle oven door opens

### Manual Operation

To cook food using a specific entered time and power level.

1. Place food in oven. Close door.
2. Press TIME ENTRY pad and enter cooking time.
3. Press POWER LEVEL pad to program microwave power level if less than 100% is desired.
  - For a lower microwave power, press pads 1 (for 10%), through 9 (for 90%), or 0 for no microwave energy.
4. Press START pad.
5. At end of cooking cycle oven door opens.

### Programming Items

1. Press and hold pad 1 for approximately 5 seconds with the door open.
2. Press pad to be reprogrammed.
3. Enter cooking time by using the number pads.
4. Press POWER LEVEL pad to program microwave power level if less than 100% is desired.
  - For a lower microwave power, press pads 1 (for 10%), through 9 (for 90%), or 0 for no microwave energy.

**NOTE:** Press POWER LEVEL pad twice to return to 100% microwave power.

5. Press TIME ENTRY pad to add up to three additional cooking stages.
  - Total cooking time cannot exceed 5 minutes.
  - Enter cook time and power level as in steps 3 and 4.

6. Press START pad to set new programming changes to the pad.

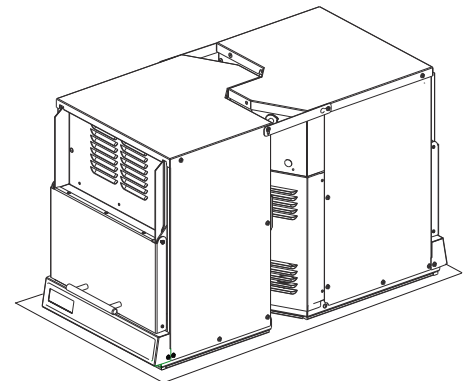
**NOTE:** To discard changes, press STOP pad or close oven door.

### Factory Settings

Pad	Seconds
1	5
2	10
3	15
4	20
5	25
6	30
7	35
8	40
9	45
0	60

### Installation

- Do not install oven next to or above source of heat, such as pizza oven or deep fat fryer. This could cause microwave oven to operate improperly and could shorten life of electrical parts.
- Do not block or obstruct oven air inlet above door.
- Install oven on level countertop surface.
- Not recommended for built-in installations.
- Outlet should be located so that plug is accessible when oven is in place.
- A safety strap is attached to the side of the oven. This is to be used to secure two ovens together (back to back) on a shelf.



# Quick Start Reference Guide

## For Enclosed Installation

A—Allow at least 2" (5.1 cm) of clearance around top of oven. Proper air flow around oven cools electrical components.

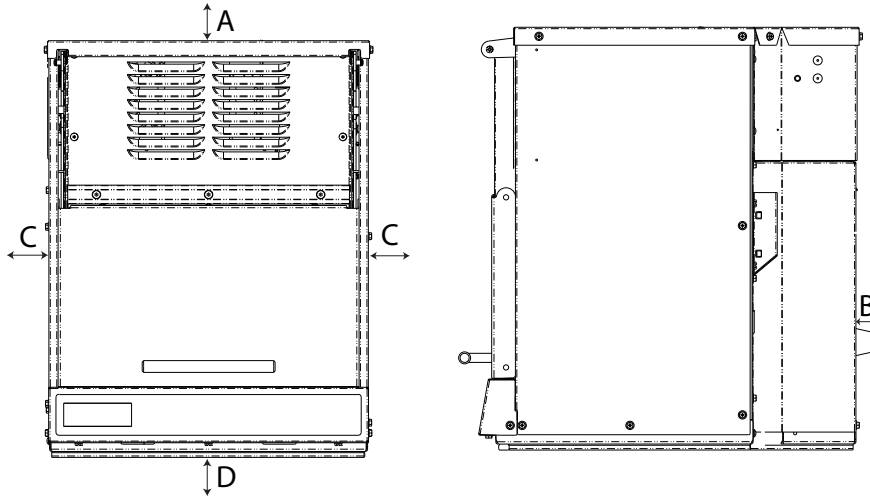
With restricted air flow, oven may not operate properly and life of electrical parts is reduced.

B—Allow at least 1 1/4" (3.18 cm) of clearance around air discharge vents on back of oven\*

C—Allow at least 1" (2.54 cm) of clearance around sides of oven.

D—Install combination oven so oven bottom is at least 3 feet (91.5 cm) above floor.

**\*Note:** Back to back installation allows correct clearance.



## Troubleshooting Tips

If the door does not open after a cooking cycle. Press the stop button. If door still does not open, press stop again. If door still remains closed, gently pull door forward to open manually. If this continues to be an issue, please contact service.

- If door does not latch, call service.
- Should "CALL SERVICE" appear in the display unplug the oven for one minute then plug oven in. If "CALL SERVICE" reappears call for service.
- Door slow to open, clean glide strips.

# Quick Start Reference Guide

## Care and Cleaning

Microwave energy is attracted to any food source in the oven. Food splatters or spills can affect heating performance, and can also cause oven damage. To prevent damage to oven, keep the microwave oven clean and remove any food debris.

Follow the recommendations below for proper maintenance of OnCue™ ovens.

### **WARNING:** NOT FOLLOWING APPROVED OVEN CLEANING INSTRUCTIONS MAY VOID YOUR OVEN WARRANTY

**⚠ Do NOT** use abrasive cleaners or cleaners containing ammonia, citrus, phosphates, chlorine, sodium or potassium hydroxide (lye). The use of caustic cleaning products or those containing ammonia, citrus, phosphates, chlorine, sodium or potassium hydroxide (lye) can damage critical oven parts.

**Use of unapproved cleaning agents will void the terms of the warranty.**

**⚠ Never** pour water into microwave oven bottom.

**⚠ Do NOT** use water pressure type cleaning systems.

**⚠ Do NOT** operate oven without the splatter shield in place.

**⚠ Never** turn on or operate oven during cleaning procedure. Always unplug oven before cleaning.

### **⚠ WARNING**



To avoid electrical shock which can cause severe personal injury or death, unplug power cord or open circuit breaker to oven before cleaning.

Wear protective gloves and protective glasses when cleaning the oven.

Failure to maintain the oven in a clean condition could lead to deterioration of the surface that could adversely affect the life of the appliance and possibly result in a hazardous situation.

## Daily Care and Cleaning

### INTERIOR OVEN CAVITY

1. Unplug Oven 
2. Remove any food debris 
3. Clean interior of microwave oven with mild detergent and damp soft sponge or cloth. Wring cloth or sponge to remove excess water before wiping equipment.

### ANTENNA/SPLATTER SHIELD


The antenna shield (or splatter/grease shield) is a vital part of the oven's design. Clean the shield in place to prevent food splatter/debris from building up on the oven ceiling.

4. Unplug Oven 
5. Spray approved cleaner on clean cloth. 
6. Wipe debris off Antenna/Splatter Shield – Repeat As Needed 

### INTERIOR DOOR




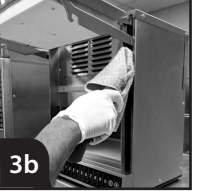
7. Unplug Oven 
8. To clean interior door, gently pull out on door until door opens at a 90-degree angle. 
9. Wipe the underside of door and inside door arms with a damp cloth. Wipe dry. 

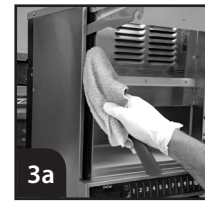
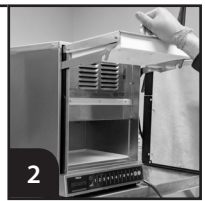
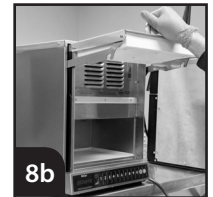
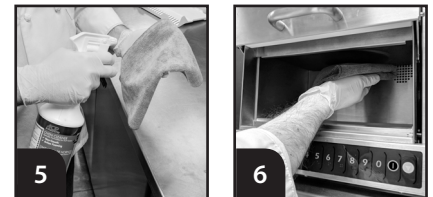
### EXTERIOR OVEN

10. Clean exterior of microwave oven with mild detergent and damp soft sponge or cloth. Wring cloth or sponge to remove excess water before wiping equipment. 

## Monthly Care and Cleaning

### GLIDE STRIPS

1. Unplug Oven. 
2. Gently pull out on door until door opens at a 90-degree angle. 
3. Clean in between door arms and side of cavity with a cloth (**Do NOT** use paper towels) on the end of a non metallic spatula with mild detergent or degreaser, cleaning the glide strips on both sides of the cavity. 
4. Place door back in ready position by gently pushing downward. 



# Quick Start Reference Guide

## Changing user options

Options such as single or double pad programming and beep volume can be changed to suit individual preferences.



### To change options:

1. Press and hold pad 2 for approximately 5 seconds with door open.
2. Option appears in display.
  - Oven is now in options mode.
3. Press number pad that controls option to be changed.
  - See table below for options.
  - Current option will display.
4. Press number pad again to change the option.
  - Each time pad is pressed, option will change.
  - Match code displayed with code for desired option.
  - Changes take affect after START pad is pressed.
  - To change additional options, repeat steps 3 and 4.
5. Press START pad to return to Options. Open and close oven door or press STOP to exit.

Numbered Pads	Display	Options (Factory Settings in Bold)
1 End of Cycle Beep	OP:10 OP:11 OP:12 OP:13 OP:14 OP:15 <b>OP:16</b>	3 second continuous beep 5 second beeps once Continuous beep until done disappears Repeating 5 beeps bursts until door is opened Continuous beep until stop pad is pressed or door is cycled Repeating 5 beeps burst until stop pad is pressed or door is cycled <b>No beep</b>
2 Speaker Volume	OP:20 OP:21 <b>OP:22</b> OP:23	Eliminates beep Sets volume to low <b>Sets volume to medium</b> Sets volume to high
3 Key Beep	OP:30 <b>OP:31</b>	Prevents beep when pad is pressed <b>Allows beep when pad is pressed</b>
4 Keyboard Enable Window	OP:40 OP:41 <b>OP:42</b> OP:43	15 seconds after oven door is closed, keyboard disabled 30 seconds after oven door is closed, keyboard disabled <b>1 minute after oven door is closed, keyboard disabled</b> 2 minutes after oven door is closed, keyboard disabled
5 End of Cycle Message Time	OP:50 OP:51 <b>OP:52</b> OP:53 OP:55 OP:56 OP:57 OP:58 OP:59	10 seconds 20 seconds <b>30 seconds</b> 40 seconds 60 seconds 1 minute 10 seconds 1 minute 20 seconds 1 minute 30 seconds 1 minute 40 seconds
6 Stop During Cooking Cycle	<b>OP:60</b> OP:61 OP:62	<b>Pressing stop clears information, opens door</b> Pressing stop pauses oven with door closed Pressing stop pauses oven with door open
7 Maximum Cook Time Entry	<b>OP:70</b> OP:71	<b>Allows 5 minutes of heating time</b> Allows 10 minutes of heating time
8 Time Entry	OP:80 <b>OP:81</b>	Allows use of preprogrammed pads only <b>Allows use of manual time entry and preprogrammed pads</b>
9 Double Digit Operation	<b>OP:90</b> OP:91	<b>Allows 10 (0-9) preprogrammed pads</b> Allows 100 (00-99) preprogrammed pads
0 ON-THE-FLY Cooking	<b>OP:00</b> OP:01	<b>Disables ON-THE-FLY cooking</b> Allows ON-THE-FLY cooking

*Factory program times may vary on certain models*