



Project _____

Item # _____

Quantity _____

Heated Shelf Built-In Flush - Simulated Stone

Models: HSBF-SS-2418, -3018, -3618, -4818

Give your operation a seamless look with the Heated Shelf Built-In Flush - Simulated Stone. The bracket mounting hardware gives a true flush mount appearance that will safely hold food hot while blending with your decor. It is a must for buffet lines in cafeterias, restaurants and more!

Standard features

- Mounts directly to underside of appropriate countertop material
- Recommended for use in metallic counters. For other surfaces, verify that the material is suitable for temperature up to 200°F (93°C)♦
- Simulated Stone is Swanstone®
- Simulated Stone surface and blanket-type element with thermostatically-controlled heated base results in uniform heat to extend food holding times
- Insulation keeps heat at the holding surface while a built-in adjustable thermostat controls surface temperature.
- Available in widths of 24", 30", 36", 48" (610, 762, 914, 1219 mm) and a depth of 18" (457 mm)
- 3' (914 mm) Conduit is Standard – with ITC Control Boxes only, 6' and 10' (1829, 3048 mm) lengths are available
- Standard control includes thermostat, lighted rocker switch and mounting brackets

♦ Hatco is not responsible for counter damage caused by heat from the warmer



Options (available at time of purchase only)

Unit Simulated Stone color – Night Sky standard – Non-standard colors are non-returnable

- Gray Granite
- Bermuda Sand

Designer Color for Flush Mount Control Bezel – Stainless Steel standard – Non-standard colors are non-returnable

- Warm Red
- Black
- Gray Granite
- White Granite
- Navy Blue
- Hunter Green
- Antique Copper

Control Boxes - with Lighted Power Rocker Switch, cord and plug

- Flush Mount ITC Control Box
- Flush Mount Thermostatic Control Box
- Small Flush Mount ITC Control Box
- Small Flush Mount Thermostatic Control Box

Conduit in lieu of standard 3' (914 mm) (Flush Mount ITC Control Box only)

- 6' (1829 mm) conduit
- 10' (3048 mm) conduit

 IFS anti-microbial coatings use naturally-occurring, environmentally sustainable, silver ions to help inhibit the growth of microbes on the powder coated surface. See www.hatcocorp.com/antimicrobial-paint for more information.

 For operation, location and safety information, please refer to the Installation and Operating Manual.



HATCO CORPORATION | P.O. Box 340500 Milwaukee, WI 53234-0500 U.S.A. | (800) 558-0607 | (414) 671-6350

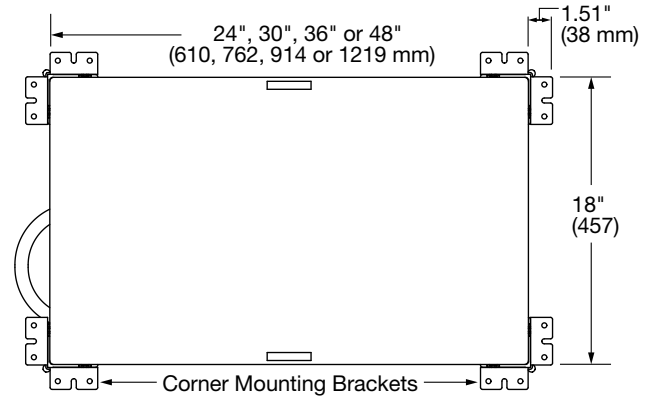
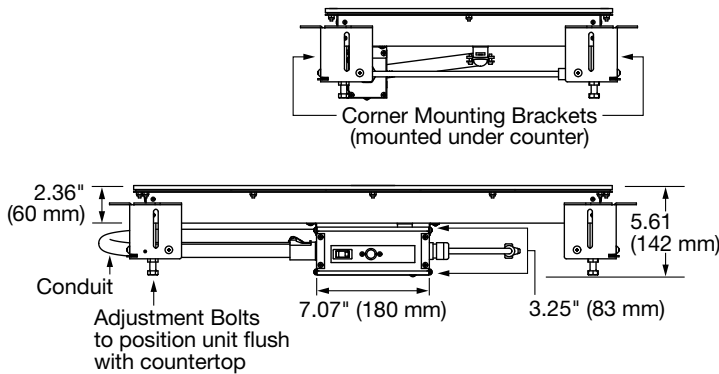
 www.hatcocorp.com | support@hatcocorp.com | [Find a Hatco Rep](#) | [Image Library](#) | [Document Library](#) | [Chat](#)



Heated Shelf Built-In Flush - Simulated Stone

Models: HSBF-SS-2418, -3018, -3618, -4818

HSBF-SS-xxxx



OPTIONAL CONTROL BOXES

Model	Mount Type	Width	Height	Cut Out Dimensions
HSBF-FLUSH-TSTAT	Flush Mount Thermostatic	2.85" (72 mm)	7.81" (198 mm)	5.875" W x 6.375" H (149 x 162 mm)
HSBF-FLUSH-ITC	Flush Mount Electronic	3.6" (92 mm)	7.81" (198 mm)	5.875" W x 6.375" H (149 x 162 mm)
HSBF-SMFLUSH-TSTAT	Small Flush Mount Thermostatic	2.7" (69 mm)	3.7" (94 mm)	6.75" W x 3.44" H (171 x 87 mm)
HSBF-SMFLUSH-ITC	Small Flush Mount Electronic	2.96" (75 mm)	4" (102 mm)	6.75" W x 3.75" H (171 x 95 mm)

SPECIFICATIONS

Heated Shelf Built-In Flush - Simulated Stone

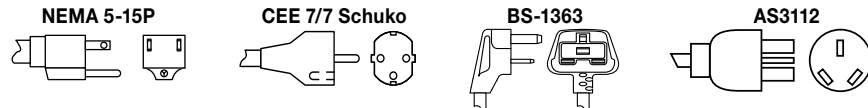
The shaded areas contain electrical information for International models

Model [^]	Overall Dimensions (including brackets) W x D x H	Heated Stone Size W x D	Cutout Dimension with 3/8" (10 mm) radii W x D	Volts*	Watts	Amps	Plug
HSBF-SS-2418	27.02" x 21.02" x 5.61" (686 x 533 x 142 mm)	24" x 18" (610 x 457 mm)	24.38" x 18.38" (619 x 467 mm)	120	635	5.3	NEMA 5-15P
				220	534	2.4	AS3112, BS-1363, CEE 7/7 Schuko
				220 - 230 - 240	534 - 583 - 635	2.4 - 2.5 - 2.6	
HSBF-SS-3018	33.02" x 21.02" x 5.61" (838 x 533 x 142 mm)	30" x 18" (762 x 457 mm)	30.38" x 18.38" (722 x 467 mm)	120	780	6.5	NEMA 5-15P
				220	655	3.0	AS3112, BS-1363, CEE 7/7 Schuko
				220 - 230 - 240	655 - 716 - 780	3.0 - 3.1 - 3.3	
HSBF-SS-3618	39.02" x 21.02" x 5.61" (990 x 533 x 142 mm)	36" x 18" (914 x 457 mm)	36.38" x 18.38" (924 x 467 mm)	120	930	7.8	NEMA 5-15P
				220	782	3.6	AS3112, BS-1363, CEE 7/7 Schuko
				220 - 230 - 240	782 - 854 - 930	3.6 - 3.7 - 3.9	
HSBF-SS-4818	51.02" x 21.02" x 5.61" (1295 x 533 x 142 mm)	48" x 18" (1219 x 457 mm)	48.38" x 18.38" (1229 x 467 mm)	120	1270	10.6	NEMA 5-15P
				220	1068	4.9	AS3112, BS-1363, CEE 7/7 Schuko
				220 - 230 - 240	1068 - 1166 - 1270	4.9 - 5.1 - 5.3	

[^] Recommended for use in a metallic countertop. For other surfaces, verify material is suitable for temperatures up to 200°F (93°C).

* All voltages non-CE

PLUG CONFIGURATION



PRODUCT SPECS

Heated Shelf Built-In Flush - Simulated Stone

The Heated Shelf Built-In Flush - Simulated Stone shall be model ... as manufactured by the Hatco Corporation, Milwaukee, WI 53234 U.S.A.

The Heated Shelf Built-In Flush - Simulated Stone shall be rated at ... watts, ... volts, and ... inches (millimeters) in overall width. It shall consist of food-safe Swanstone® surface shelf assembly, adjustable bracket with cord and plug attached and attached Electronic Temperature Control Box. Options shall include: Granite Grey and

Bermuda Sand Simulated Stone color, Designer Color for Flush Mount Control Bezel (Stainless Steel standard), Flush Mount Thermostatic Control Box with Lighted Power Switch (Thermostatic or ITC), Small Flush Mount Control Box (Thermostatic or ITC) and a 6' (1829 mm) or 10' (3048 mm) conduit used with ITC Control Boxes only. All Designer Colors are anti-microbial paint.

Warranty consists of 24/7 parts and service assistance (U.S. and Canada only).

HATCO CORPORATION | P.O. Box 340500 Milwaukee, WI 53234-0500 U.S.A. | (800) 558-0607 | (414) 671-6350

www.hatcocorp.com | support@hatcocorp.com | [Find a Hatco Rep](#) | [Image Library](#) | [Document Library](#) | [Chat](#)