



FF1175-6 on 1175 PR6 Stand

The FauxFlame is Rotisol's response to commercial needs for performance accompanied by light weight, minimal size, and mobility. FauxFlame rotisserie ovens offer rapid cooking and quality results with the attractive display and mouth-watering aromas that customers love to find in the marketplace.

#### Features:

- Countertop unit
- Infrared roasting with ceramic heating
- High quality stainless steel construction
- 3 spit positions to adjust distance from the heat
- 6 spits with a separate motor and burner/heating element for each spit, reducing down time and energy consumption
- Interchangeable ceramic bricks
- "K" glass doors to prevent heat loss for faster cooking, energy savings, and worker safety
- Powerful halogen lamp (optional add-0n)

#### Cleaning/Safety:

- Double interior panels (motor side) to protect motors and from grease
- Removable interior panel (motor side) for ease of cleaning

#### Ships with:

- Channeled bottom drip pan with drain plug
- 6 prongless anti-cutting V-spits

*When it comes to rotisseries,  
Rotisol is the ultimate partner!*

#### CAPACITY

24 -30 chickens per hour

#### POWER

Natural Gas, Propane Gas, All-Electric

#### CERTIFICATION



#### ACCESSORIES & OPTIONS

- Prongless V-Spit
- Traditional chicken spit with prongs
- Rectangular Basket Spit
- Ham/Turkey Spit
- Roast Basket Spit
- Spatchcock Basket Spit
- Decorative Roof with illuminated sign
- Interior Halogen Light
- Rolling Racks
- Wall rack for spit storage
- Stand on casters with brakes

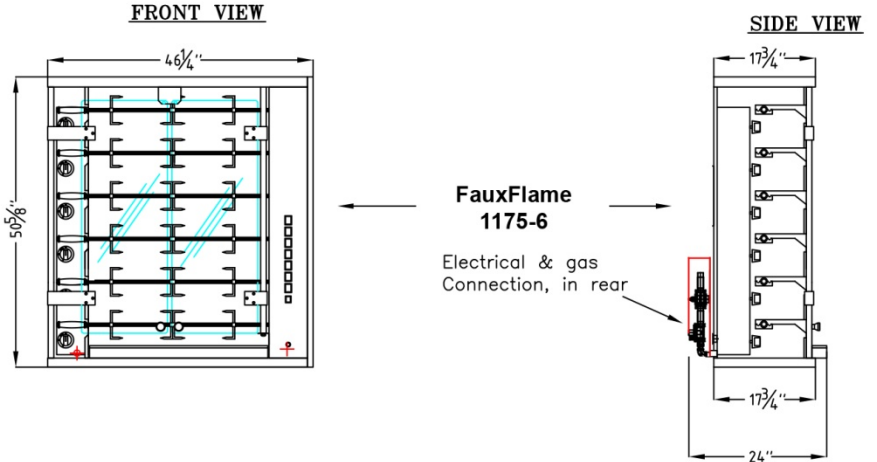


Rotisol-France, Inc • 341 North Oak Street, Los Angeles, CA 90302 • Tel/ 800-651-5969 310-671-7254 • Fax/ 310-671-8171  
www.rotisolusa.com info@rotisolusa.com

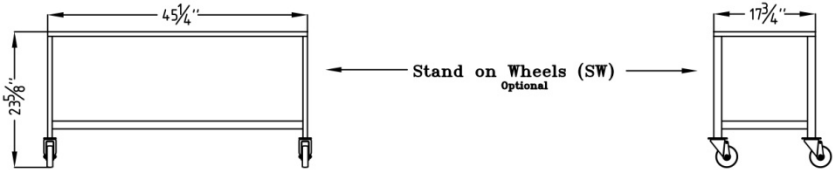
# SPECIFICATIONS FAUXFLAME 1175-6

PROJECT :	
ITEM NUMBER :	QTY:

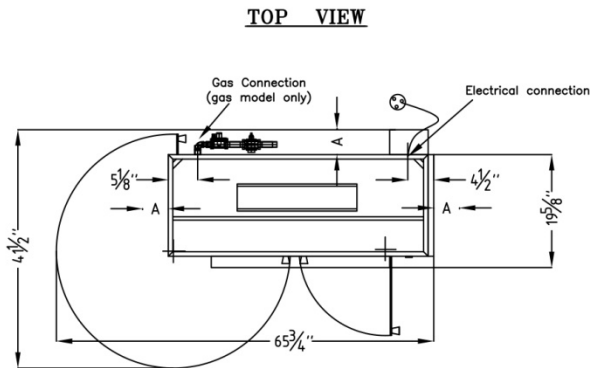
DIMENSION (inches)			
	WIDTH	HEIGHT	DEPTH
1 - Rotisserie	46 1/4	50 5/8	24
2 - Stand on wheels	45 1/4	23 5/8	17 3/4
1 + 2	46 1/4	74 1/4	24



GAS MODEL - FF1175-6
<p><b>- GAS CONNECTION</b>                      pipe: 3/4"                      61,500 Btu/h (natural), 56,500 Btu/h (propane)                      Minimum pressure: 7" WC (natural gas)                      11" WC (propane gas)</p> <p>Regulator &amp; shut of valve are furnished                      6 burner per unit</p> <p><b>- ELECTRICAL CONNECTION</b>                      0.53 kw / 208/240 V / 1 phase / 3 amps                      1 Electrical cable: 78" length / 60 Hertz                      NEMA plug not included                      Direct plug required</p> <p><b>- Above finish floor connection:</b>                      1 = 4" AFF                      1 + 2 = 27 5/8" AFF                      1 + 3 = 27 5/8" AFF</p>



ELEC MODEL - FF1175-6
<p><b>- ELECTRICAL CONNECTION</b>                      19.53 kw / 208/240 V / 3 phases / 54.5 amps                      1 Electrical cable: 78" length                      Direct plug required                      NEMA plug not included</p> <p><b>- Above finish floor connection:</b>                      1 = 4" AFF                      1 + 2 = 27 5/8" AFF                      1 + 3 = 27 5/8" AFF</p>



WEIGHT	NOTE	INSTALLATION REQUIREMENTS:	CLEARANCE:	PRODUCT CAPACITY:
- Rotisserie: 300 lbs - Stand on wheels: 25 lbs - Packing: 50 lbs	- No. of motors: 6 - No. of spits: 6 - No. of glass doors: 2 - No. of halogen lamp: 1 (optional)	- Oven must be installed level - Exhaust ventilation is required. Install on a non-combustible surface only - The oven must not be installed in any area where it may be affected by steam, grease, dripping water, high temperatures, or any other severely adverse conditions	- 6" left, right, and rear → A ←	- On V-ANGLED SPITS (STANDARD): Up to 24 with 3-1/2 lb chickens Up to 30 2-1/2 to 3 lb chickens - For other spits please find the accessories specifications sheets

**WARRANTY CONDITIONS:**

Rotisol warrants its equipment to be free from defects in material and workmanship. Repairs must be performed by an authorized service company and it is the responsibility of the customer to return the defective parts to Rotisol France, inc. within 15 days (otherwise, the warranty will not be honored). The shipping charges for replacement parts, other than ground, will be at the customer's expense. This warranty does not cover glass door breakage and quartz or halogen lamp breakage, neither does it cover non-mechanical parts. This warranty does not apply to damages by accident, incorrect line voltage, fire, water, or other acts of god.