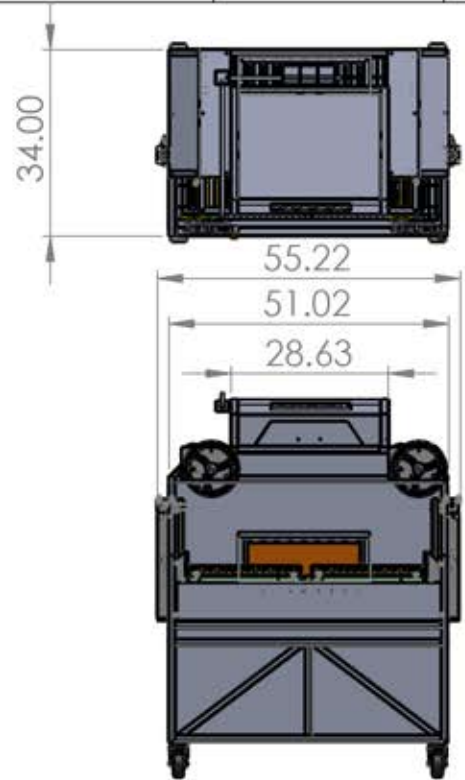
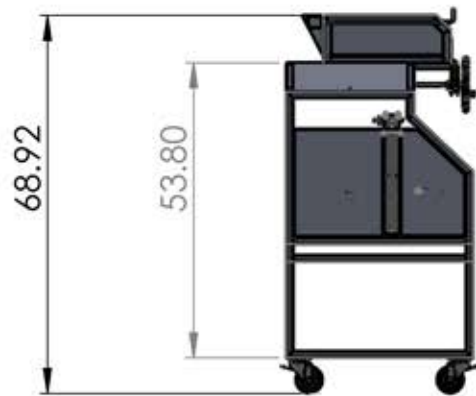
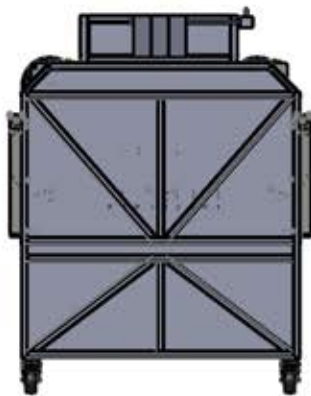
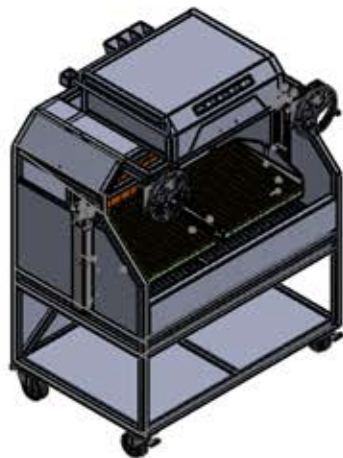


2

1

REVISIONS				
ZONE	REV.	DESCRIPTION	DATE	APPROVED
	A	RFP	9/19/2018	RWG

B



B

The information contained in this drawing is the sole property of Grillworks LLC.

Any reproduction or distribution in part or as a whole without express written consent is prohibited.



**LANGELIER ELITE 42
MODEL # GWI42
X LIFT SYSTEM, BLANCO**

Unless otherwise specified, all dimensions are in inches.

For more information call 855-434-3473

GrillworksUSA.com

GRILLWORKS®