

"GS6-GSK" EQUIPMENT STANDS

16GA Stainless Steel Top w/Galvanized Base & Shelf

FEATURES:

- 16GA Type 300 Stainless Steel Top With #4 Polish, Satin Finish
- 1-1/2" Stallion Edge On Front. Turned Up Back And Both Sides
- Top Frame Is Reinforced By A Full Frame Fabricated Of 1-1/2" Square O.D. Tube 16GA Galvanized Steel
- Galvanized Steel Base
- Shipped Knocked-Down, Easy-To-Assemble (Welded Setup Available)

SPECIFICATIONS:

- Top: Stainless Steel Tops Are TIG Welded, Exposed Welds Are Polished To Match Adjacent Surface
- Top: 16GA Stainless Steel Type 300 Stainless Steel With #4 Polish, Satin Finish
- Shelf: 18GA Galvanized Steel
- Legs: 1-5/8" Round O.D. 16GA Tubular Galvanized Steel
- Gussets: Galvanized Steel
- Feet: 1" Adjustable Stainless Bullet Feet



GS6-3048GSK

CERTIFICATIONS:



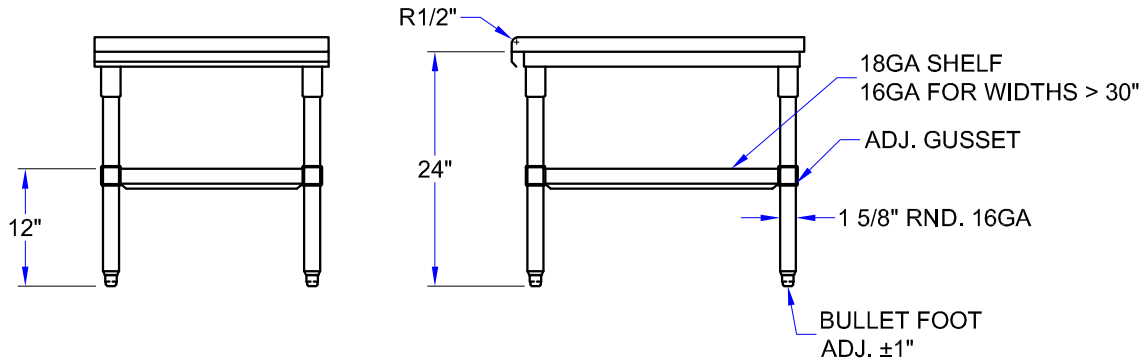
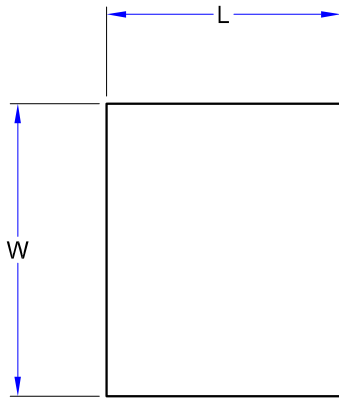
"GS6-GSK" EQUIPMENT STANDS

LENGTH	24" WIDE	WT. (LBS)	30" WIDE	WT. (LBS)	36" WIDE	WT. (LBS)
15"	GS6-2415GSK	25	GS6-3015GSK	36	GS6-3615GSK	45
18"	GS6-2418GSK	30	GS6-3018GSK	40	GS6-3618GSK	50
24"	GS6-2424GSK	45	GS6-3024GSK	51	GS6-3624GSK	65
30"	GS6-2430GSK	60	GS6-3030GSK	63	GS6-3630GSK	80
36"	GS6-2436GSK	75	GS6-3036GSK	80	GS6-3636GSK	95
48"	GS6-2448GSK	90	GS6-3048GSK	88	GS6-3648GSK	110
60"	GS6-2460GSK	115	GS6-3060GSK	96	GS6-3660GSK	121
72"	GS6-2472GSK *	141	GS6-3072GSK *	110	GS6-3672GSK *	140

***NOTE: HAS 3 SETS OF LEGS**

ALL DIMENSIONS ARE TYPICAL. TOLERANCE +/- .500". JOHN BOOS & CO. RESERVES THE RIGHT TO CHANGE SPECIFICATIONS WITHOUT NOTICE.

DETAILED SPECIFICATIONS



"GS6-GSK" EQUIPMENT STANDS

LENGTH	24" WIDE	WT. (LBS)	30" WIDE	WT. (LBS)	36" WIDE	WT. (LBS)
15"	GS6-2415GSK	25	GS6-3015GSK	36	GS6-3615GSK	45
18"	GS6-2418GSK	30	GS6-3018GSK	40	GS6-3618GSK	50
24"	GS6-2424GSK	45	GS6-3024GSK	51	GS6-3624GSK	65
30"	GS6-2430GSK	60	GS6-3030GSK	63	GS6-3630GSK	80
36"	GS6-2436GSK	75	GS6-3036GSK	80	GS6-3636GSK	95
48"	GS6-2448GSK	90	GS6-3048GSK	88	GS6-3648GSK	110
60"	GS6-2460GSK	115	GS6-3060GSK	96	GS6-3660GSK	121
72"	GS6-2472GSK *	141	GS6-3072GSK *	110	GS6-3672GSK *	140

***NOTE: HAS 3 SETS OF LEGS**

ALL DIMENSIONS ARE TYPICAL. TOLERANCE +/- .500". JOHN BOOS & CO. RESERVES THE RIGHT TO CHANGE SPECIFICATIONS WITHOUT NOTICE.