

POZZETTI/BPGL

POZZETTI/BPGL WITHOUT STORAGE SHOWCASE

STANDARD FEATURES

Energy efficient air cooled condensing unit
 One piece molded body using 3" ecologic polyurethane insulation
 High performance
 Static refrigeration with embedded coil and thermostatic valve
 Climate class 4 (+86°F/55% R.H.)
 AISI304 stainless steel external finish top and back stainless interior
 Ecological polyurethane foam insulation
 Stainless steel scotch brite adjustable feet, gray steel frame support
 Digital control panel
 Flexible arrangement can be multiplexed and customized to fit customer layout
 240oz. stainless steel container; Stainless steel cylindrical containers dim. Ø 7 1/2"-9 3/4"H.
 Approximately 7 liters
 Cases ship standard unfinished



OPTIONS

Sneeze guard
 Water cooled condensing system
 Remote condensing unit
 Electric heated condensate pan
 Custom front and side paneling
 Stainless steel scoop washer with fixed water tap
 Reinforced wood crate
 Casters

POZZETTI/BPGL WITHOUT STORAGE					
TECHNICAL FEATURES		MODELS			
		POZZETTI/BPGL P2	POZZETTI/BPGL P4	POZZETTI/BPGL P6	POZZETTI/BPGL P8
External dimensions (L-D-H)	Inches	*19 11/16" - 25 13/16" - 36 5/8"	*29 1/2" - 25 13/16" - 36 5/8"	*39 3/8" - 25 13/16" - 36 5/8"	*49 3/16" - 25 13/16" - 36 5/8"
	Inches-MM	*500 - 655 - 931	*750 - 655 - 931	*1000 - 655 - 931	*1250 - 655 - 931
Crated dimensions (L-D-H)	Inches	25" - 31" - 42"	35" - 31" - 42"	45" - 31" - 42"	55" - 31" - 42"
	Inches-MM	635 - 787 - 1066	889 - 787 - 1066	1143 - 787 - 1066	1397 - 787 - 1066
Refrigeration	Type	Static	Static	Static	Static
No. of Containers (240 oz.)	#	2	4	6	8
Compressor	Nr./Type	1	1	1	1
Compressor	(Pw-HP)	230-1/3	230-1/3	310-5/8	310-5/8
BTU's @ -25°F Evap					
Temperature	BTU'S	832 BTU'S	1280 BTU'S	2048 BTU'S	2528 BTU'S
Power Supply	(V/Ph/Hz)	115/1/60	115/1/60	115/1/60	115/1/60
Electrical Input (standard)	(W/A)	5.1A	5.2A	7.3A	7.5A
Defrost	Mode/Type	Off-Cycle	Off-Cycle	Off-Cycle	Off-Cycle
Climatic Class	N°/°C/F°/H.R.	4	4	4	4
Operationg Conditions	---	55	55	55	55
Refrigerant	Type	R404A	R404A	R404A	R404A
Net Weights	Lb	200Lbs	260Lbs	330Lbs	419Lbs
Crated Weights	Lb	350Lbs	469Lbs	573Lbs	694Lbs

* DIMENSIONS ARE WITHOUT SIDE PANELS

* Manufacturer reserves the right to change specifications without notice. Not responsible for error and omissions.



512 South Airport Blvd., South San Francisco, CA 94080
 Tel: 855.885.2400 | 650.342.2400 | Fax: 650.342.7400
 sales@oscartek.com | www.oscartek.com

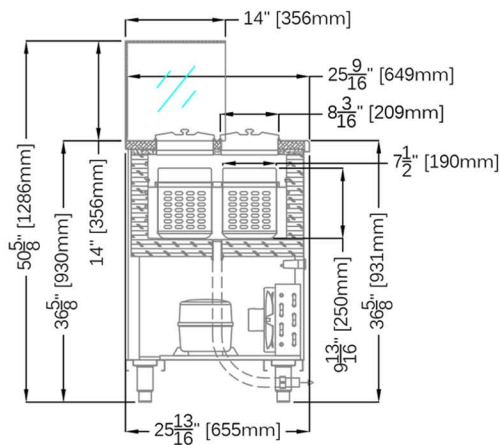
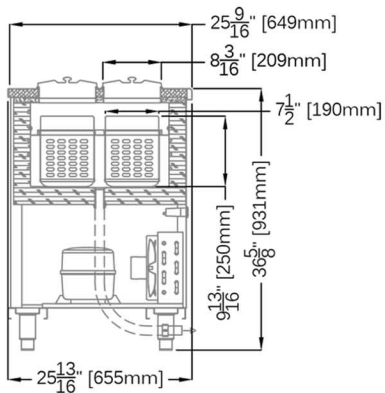


POZZETTI/BPGL WITHOUT STORAGE				
TECHNICAL FEATURES		MODELS		
		POZZETTI/BPGL P10	POZZETTI/BPGL P12	POZZETTI/BPGL PA45
External dimensions (L-D-H)	Inches	*59 3/8" - 25 13/16" - 36 5/8"	*78 3/4" - 25 13/16" - 36 5/8"	*44 1/6" - 25 13/16" - 36 5/8"
Inches-MM	MM	*1507 - 655 - 931	*2000 - 655 - 931	*1120 - 655 - 931
Crated dimensions (L-D-H)	Inches	65" - 31" - 42"	85" - 31" - 42"	51" - 31" - 42"
Inches-MM	MM	1651 - 787 - 1066	2159 - 787 - 1066	1295 - 787 - 1066
Refrigeration	Type	Static	Static	Static
No. of Containers (240 oz.)	#	10	12	5
Compressor	Nr./Type	1	1 (2)	1
Compressor	(Pw-HP)	310-5/8	310-5/8	310-5/8
BTU's @ -25°F Evap Temperature	BTU'S	3200 BTU'S	4096 BTU'S	2528 BTU'S
Power Supply	(V/Ph/Hz)	115/1/60	115/1/60 (2)	115/1/60
Electrical Input (standard)	(W/A)	7.7A	7.3A (2)	8A
Defrost	Mode/Type	Off-Cycle	Off-Cycle	Off-Cycle
Climatic Class	N°/°C/F°/H.R.	4	4	4
Operating Conditions	---	55	55	55
Refrigerant	Type	R404A	R404A	R404A
Net Weights	Lb	508Lbs	660Lbs	419Lbs
Crated Weights	Lb	764Lbs	1146Lbs	694Lbs

* DIMENSIONS ARE WITHOUT SIDE PANELS

OPTIONAL: SNEEZE GUARD SECTION VIEW

STANDARD SECTION VIEW



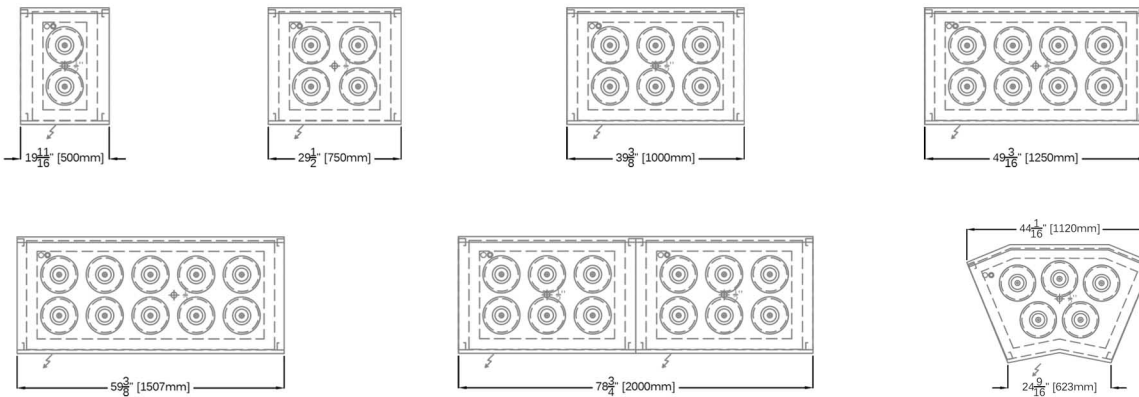
* Manufacturer reserves the right to change specifications without notice. Not responsible for error and omissions.



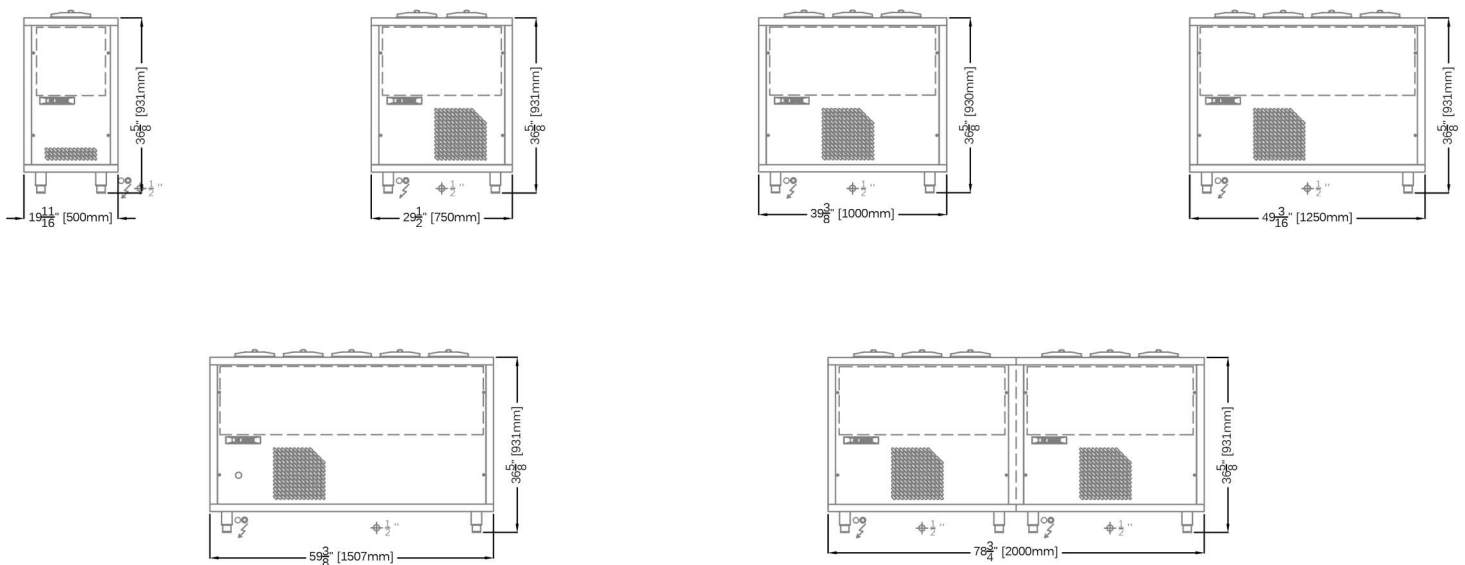
512 South Airport Blvd., South San Francisco, CA 94080
Tel: 855.885.2400 | 650.342.2400 | Fax: 650.342.7400
sales@oscartek.com | www.oscartek.com



PLAN VIEWS



REAR ELEVATION (OPERATOR SIDE)



* Manufacturer reserves the right to change specifications without notice. Not responsible for error and omissions.