



Profit from the Eagle Advantage®

Specification Sheet

Short Form Specifications

Eagle Panco® Oval Horizontal Tray Storage Rack, model _____. Constructed of 1" square tubular aluminum frame and supports with each frame and cross support junction joined with a two-piece aluminum gusset riveted to the frame. 1" square tubing reinforcing bar between frames for added rigidity. 3/16"-wide aluminum tray slides with beaded edge to minimize friction. Slide spacing to be 6" or 8" to accommodate (10 or 20) 23" x 28" oval trays. Furnished with 5"-diameter casters. Shipped assembled.



model #OTR-2810-A/W
oval tray rack

Options / Accessories

- Casters with locking brakes
- Rotary donut bumpers
- Vertical corner bumpers
- Perimeter bumper
- Pan stops

EAGLE GROUP

100 Industrial Boulevard, Clayton, DE 19938-8903 USA
 Phone: 302-653-3000 • 800-441-8440 • Fax: 302-653-2065
www.eaglegrp.com
www.eaglegrpnews.com
www.eaglemhc.com

For custom configuration or fabrication needs, contact our **SpecFAB® Division**.
 Phone: 302-653-3000 • Fax: 302-653-2065 • e-mail: quotes@eaglegrp.com

Item No.:	_____
Project No.:	_____
S.I.S. No.:	_____

Panco® Oval Tray Racks —Horizontal Storage

MODELS:

- OTR-2810-A/W
- OTR-2820-A/W

Features on all models

- Frame and support: 1" (25mm) square aluminum tubing with 0.063"-thick wall.
- Gussets: Each frame and cross support junction shall be joined with a two-piece, die-stamped 0.100"-thick aluminum gusset, riveted to the tubing frame and cross support.
- Reinforcing bar: 1" (25mm) square tubing, at middle of height, between frames, for added rigidity.
- Tray slides: 0.100"-thick aluminum formed to 3 7/16" (87mm) wide lip with a beaded edge, for strength and minimum friction. Slides are riveted to frame.
- Casters: 5" (127mm)-diameter NSF-approved, non-marking rubber tired wheels on swivel stem plated casters.



EG60.09B Rev. 08/23

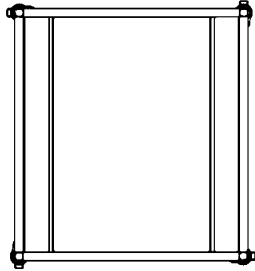
Spec sheets available for viewing, printing or downloading from our online literature library at our websites

Eagle Foodservice Equipment, Eagle MHC, and SpecFAB® are divisions of Eagle Group. ©2023 by the Eagle Group

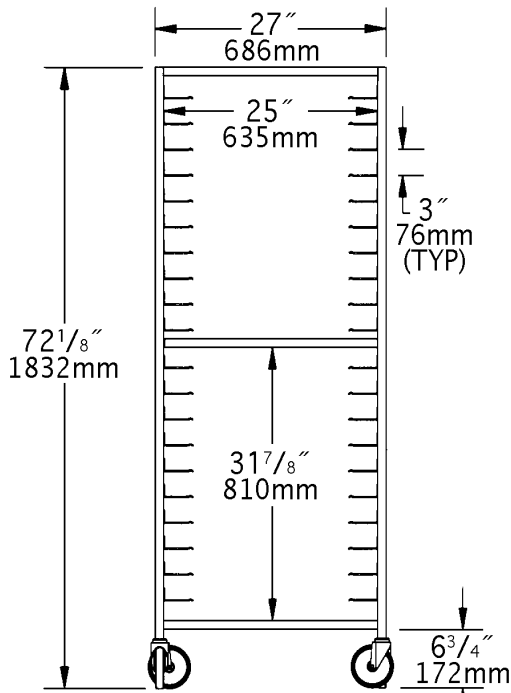


Item No.: _____
 Project No.: _____
 S.I.S. No.: _____

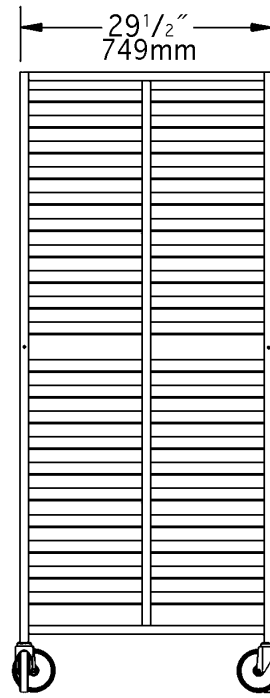
Panco® Oval Tray Racks—Horizontal Storage



TOP VIEW



FRONT VIEW



SIDE VIEW

(model #OTR-2820-A/W)

model #	overall dimensions						weight		sliding space		tray capacity
	width	depth		height		lbs.	kg	in.	mm		
	in.	mm	in.	mm	in.	mm					
OTR-2810-A/W	26"	660	30"	762	69"	1753	28	12.7	6"	152	10
OTR-2820-A/W	27"	686	29 1/2"	749	72 1/8"	1832	35	15.9	3"	76	20

EAGLE GROUP
 100 Industrial Boulevard, Clayton, DE 19938-8903 USA
 Phone: 302-653-3000 or 800-441-8440 • Fax: 302-653-2065
 www.eaglegrp.com • www.eaglegrpnews.com • www.eaglehmc.com

Printed in U.S.A.
 ©2023 by Eagle Group
 Rev. 08/23

Spec sheets available for viewing, printing or downloading from our online literature library at our websites

Although every attempt has been made to ensure the accuracy of the information provided, we cannot be held responsible for typographical or printing errors. Information and specifications are subject to change without notice. Please confirm at time of order.