



FLO-988

8" Wall Mount Pre-rinse Assembly

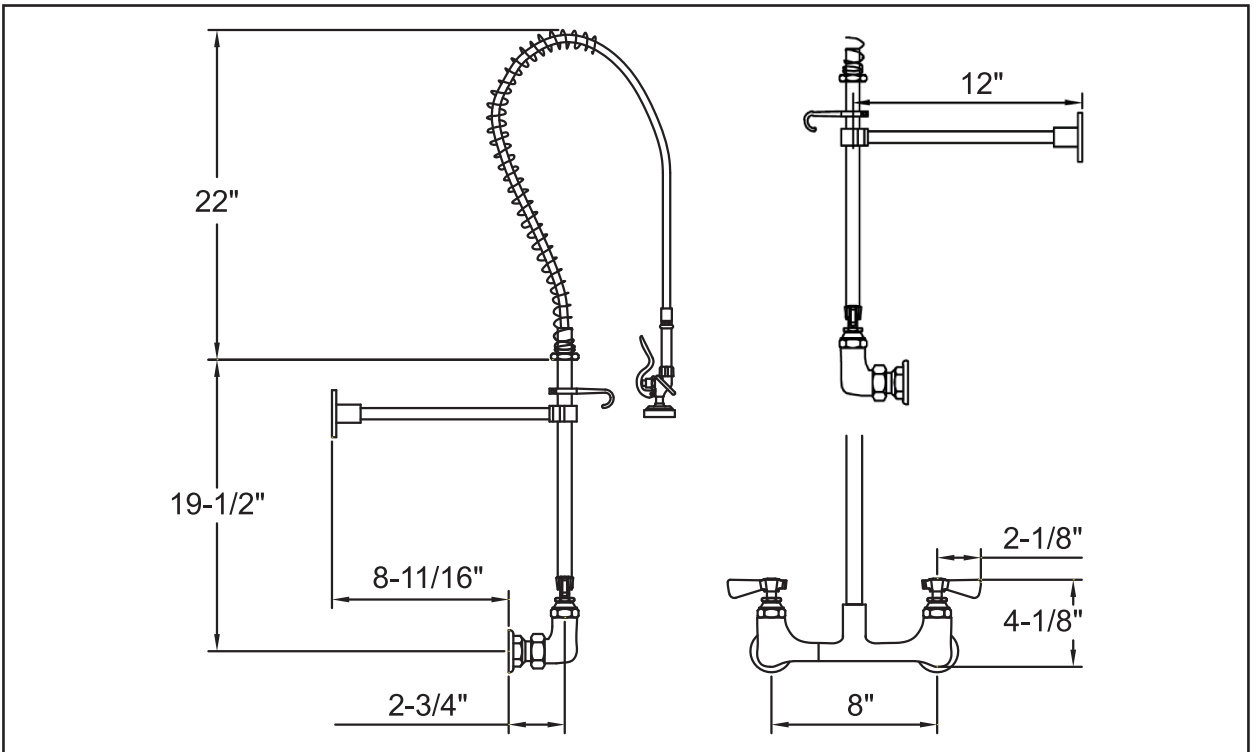


Standard Features

- 8" Center Heavy Duty Quality
- 12" Wall Bracket with Mounting Hardware
- 44" Stainless Steel Hose with Grip
- Built-in Check Valves
- 2.5 GPM Max @ 60PSI
- 1/2" NPT Female Inlets
- Full Replacement Parts Available
- Lead Free Compliance



Specifications



Product Diagram